

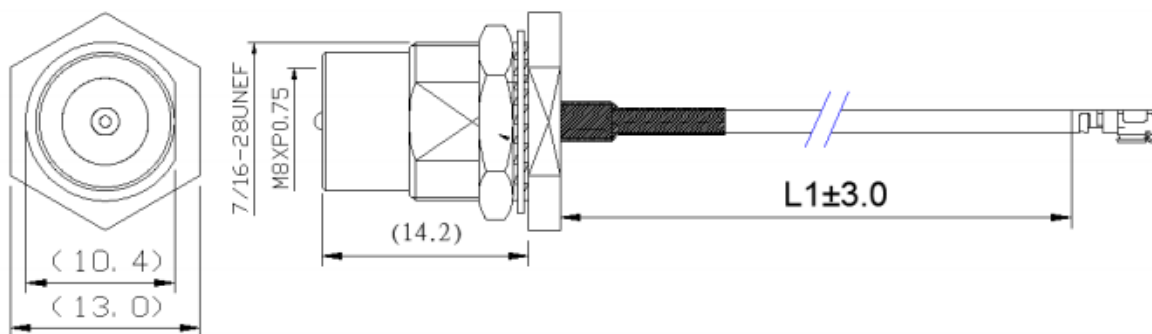
Datasheet

UFL-FME RF coax cable assembly

RS Stock number 794-2945



Dimensions: (mm)



Specification

1. FME B/H PLUG CRIMP TYPE FOR ϕ 1.37mm CABLE NUT x 1,WASHER x 1
2. U.FL-LP-088 Halogen Free For ϕ 1.37mm Cable
3. U.FL-088 CONTACT For ϕ 1.37mm Cable
4. 1.37mm CABLE TIN PLATED COLOR:BLACK
5. HEAT SHRINK TUBE F32 ϕ 2.5mm L=15.0mm COLOR:BLACK.

ELECTRICAL PERFORMANCE:

- 1.IMPEDANCE:50 OHMS
- 2.FREQUENCY RANGE:DC~3GHz
- 3.WORKING VOLTAGE:250Vrms MAXIMUM
- 4.DIELECTRIC WITHSTANDING VOLTAGE:750Vrms min.