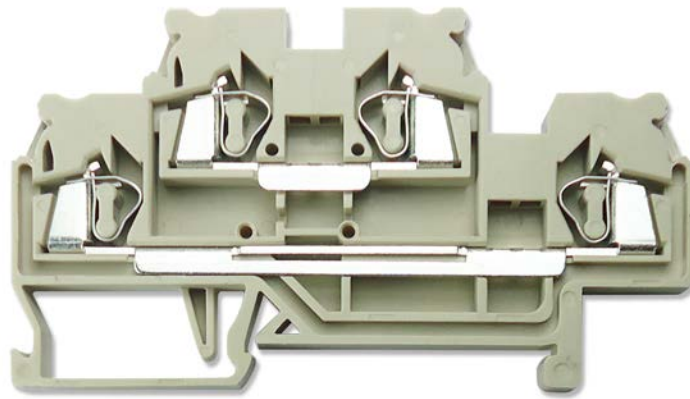


Datasheet




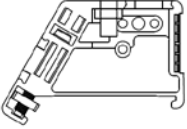

Stock No: 913-1241

## Double Level Spring Terminal Blocks, 2.5sq.mm

20A, 600V, 28-12 AWG, 0.08-2.5 sq.mm



# Specifications:

Specifications	2.5mm <sup>2</sup>
Technical Data	Rated voltage / Rated current / Wire size
UL	600V / 20A / AWG 28-12
CSA	600V / 20A / AWG 28-12
IEC	800V / 24A / 0.08-2.5mm <sup>2</sup>
Insulating impulse voltage withstand/pollution degree	8KV / 3
Insulation stripping length (mm)	8~9 mm
Net weight per piece	12.4 g
Material / Available Color ( Standard Color: Beige )	 Beige 913-1241
Rail Dimensions	T / W / H ( mm )
For TS35x7.5 	5 x 75.5 x 44.6
For TS35x15 	5 x 75.5 x 52.1
Accessories	Cat. No.
End Bracket 	878-7556
Marking Tags 	878-7590

Dimensions in mm:

