

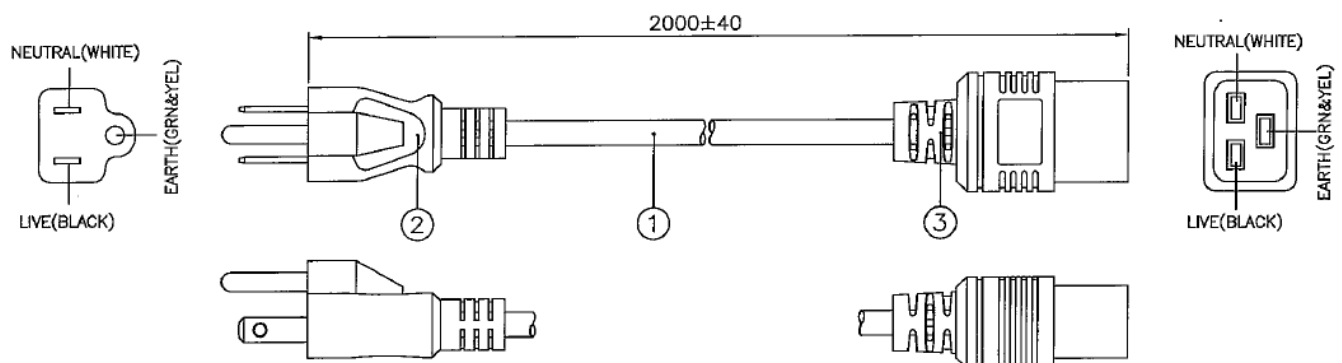
# Datasheet

## Japanese Power Supply Cordset

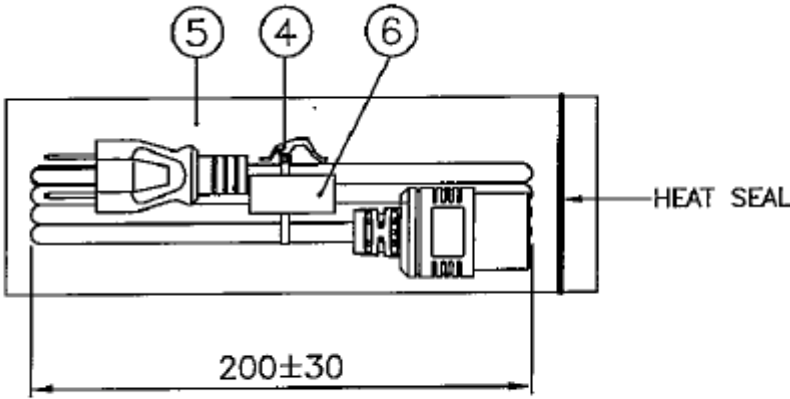
RS Stock number 909-2203

### Note:

- All dimensions in mm.
- The cord shall comply with JIS C 3306
- The molded plug shall comply with JIS C8303 and tested to JIS C8306
- The molded connector shall comply with JIS C8358 and tested to JIS C8306.



S/N	Description	Item Number	Qty.
1	VCTF 3x2.00 BWGY blk LF (PSE)	1513102	1
2	Molded plug M744 (15A 125V)	M744-15	1
	IP40G NL792B blk	4100017	-
3	Molded connector VSC19 (15A 125V)	VSC19-BKT	1
	IP60G NL7976B blk	4100115	-



**APPROVED SOURCE FOR CABLE**

- 1. BAD HING(SHENZHEN).
- 2. TA HSING(SHENZHEN).

S/N	Description	Item Number	Qty.
4	6" PE Tie blk	6310056	1
5	Bag LDPE 283x114x0.05	904028	1
6	Printed label	VL-0538	1