

## FEATURES

- High quality full port brass ball valves
- Dual sealing system
- Silicone-free lubricant on all seals
- Travel stops on body to avoid stress at stem
- No metal-to-metal moving parts

## RS PRO Brass High Pressure Ball Valve 3/4 in BSPP 2 Way

RS Stock No.: 733-5132



RS Professionally Approved Products bring to you professional quality parts across all product categories. Our product range has been tested by engineers and provides a comparable quality to the leading brands without paying a premium price.

## Product Description

RS PRO range of brass manual ball valves. Manual ball valves are used to operate shut off valves which control water flow and pressure. These quarter turn brass full-bore ball valves have a lever style operating handle and are suitable for high temperature hot water services in domestic, commercial and industrial applications.

733-5126 - Lever handle ball valve 1/4 inch

733-5120 - Lever handle ball valve 3/8 inch

733-5139 - Lever handle ball valve 1/2 inch

733-5132 - Lever handle ball valve 3/4 inch

733-5136 - Lever handle ball valve 1 inch

733-5145 - Lever handle ball valve 1-1/4 inch

733-5148 - Lever handle ball valve 1 1/2 inch

733-5142 - Lever handle ball valve 2 inch

## General Specifications

<b>Threaded Connection</b>	3/4 in BSPP
<b>Attachment Type</b>	Threaded
<b>Body Material</b>	Brass
<b>Thread Size</b>	3/4in
<b>Safe For Use With</b>	Air, Oil, Steam, Water
<b>Type</b>	2 Way
<b>Application</b>	Heating systems; Water treatment; Liquid flow control

## Mechanical Specifications

<b>Connection Size</b>	20mm
------------------------	------

## Operation Environment Specifications

<b>Working Temperature</b>	-40° C to +170° C
<b>Maximum Working Pressure</b>	40 bar

## Approvals

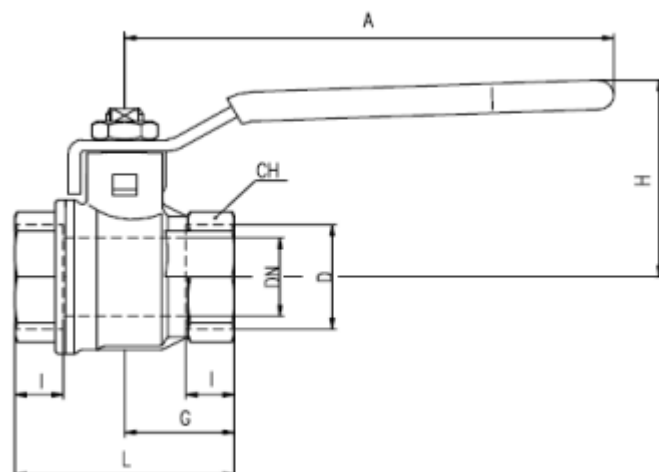
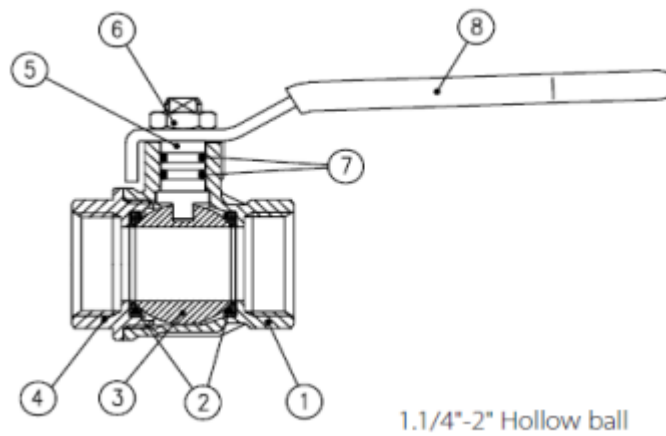
### Compliance/Certifications

WRAS (UK), GOST-R (Russia), Expert Conclusion (Russia), EAC Conforming (Russia), UkrSepro (Ukraine), RoHS Compliant



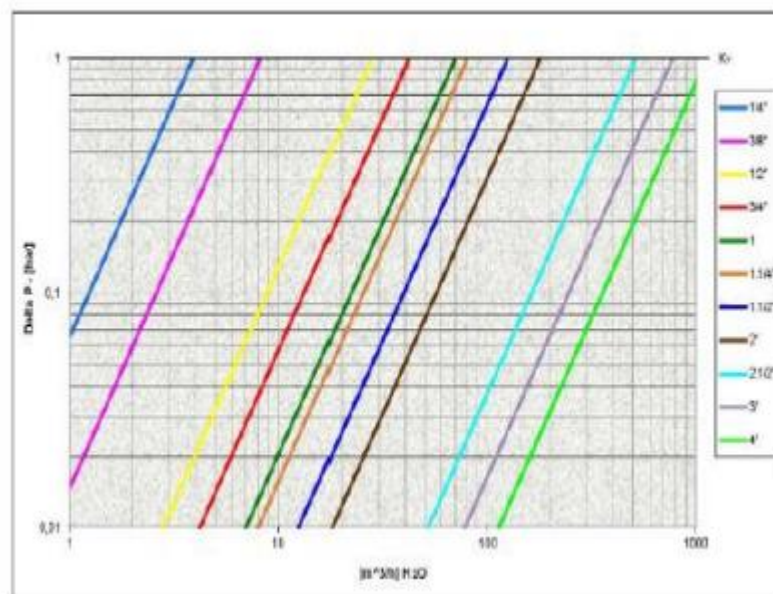


	PART DESCRIPTION	Q.TY	MATERIAL
1	Nickel plated body (external nickel plated, unplated inside up to 2")	1	CW617N
2	Seat	2	PTFE
3	Chrome plated ball	1	CW617N
4	Nickel plated end cap (external nickel plated, unplated inside up to 2")	1	CW617N
5	Nickel plated stem O-ring design	1	CW617N
6	Geomet® nut	1	CB4FF
7	O-Ring	2	FPM
8	Red PVC coated Geomet® steel handle	1	DD11



Code	S90B00	S90C00	S90D00	S90E00	S90F00	S90G00	S90H00	S90I00	S90L00	S90M00	S90N00
D (inch)	1/4	3/8	1/2	3/4	1	1 1/4	1 1/2	2	2 1/2	3	4
DN (mm)	8	10	15	20	25	32	40	50	65	80	100
I (mm)	9	9	11	12	14	15	17	19	22	25	29
L (mm)	39	39	50	54	67	77	90	106	136	157	191
G (mm)	19,5	19,5	25	27	33,5	38,5	45	53	68	78,5	95,5
A (mm)	82	82	100	120	120	158	158	158	255	255	255
H (mm)	38	38	43	50	54	73	79	86	132	140	154
CH (mm)	20	20	25	31	38	48	54	66	85	99	125

## Pressure Drop Chart



### Pressure-Temperature Chart

