

FEATURES

- Flexible cable type and cable lengths
- Save time for installation
- Valve connector without protective circuit

RS PRO M12 MALE RIGHT ANGLE 3 PIN A-CODED TO FORM-A (2P+E) VALVE CONNECTOR WITH 1-LED CONNECTED WITH 2m BLACK PVC CABLE

RS Stock No.: 2305689



RS Professionally Approved Products bring to you professional quality parts across all product categories. Our product range has been tested by engineers and provides a comparable quality to the leading brands without paying a premium price.

Product Description ATTRIBUTE 1

Brought to you under the trusted RS Brand, this range of M12 Connector with Valve connectors are commonly used on utility vehicles and construction, agricultural and forestry machinery. They are resistant to sustaining such as ozone, salt, gasoline or oil.

Valve connector application range from 24 V AC / DC. Valve connector with clearly using LED ensures easy detection in even of an error.

General Specifications

Rated Operational Voltage	24 V
Current Rating	4A
Insulation Resistance	>= 100 MΩ
Temperature Range	-25°C ... +85°C
No. of Pole	3
Coding	A-Coded
Tightening Torque	0.4 Nm (M12 Connector)
Status Display	1 LED (Red)

Material Specifications

	M12
Grip Material	PU
Contact	Cu-Zn
Contact Plating	Gold Flash
Contact Carrier	Nylon 66
Grip Color	Black
Coupling Nut	Brass Nickel-Plated

Cable Specifications

Cable Length-L	2 m
Cable Type	3 Core PVC Multi Strand
Sheath Color	Black
Cross Section of Wire	0.75 sq. mm.
Cable Dia	6.6 ± 0.1 mm
Core Dia	2.0 ± 0.05 mm
Cable Structure	3 x 18 AWG

Protection Category

Degree of Protection IP67 (M12)

Additional Information

Custom Tariff Number 85369090

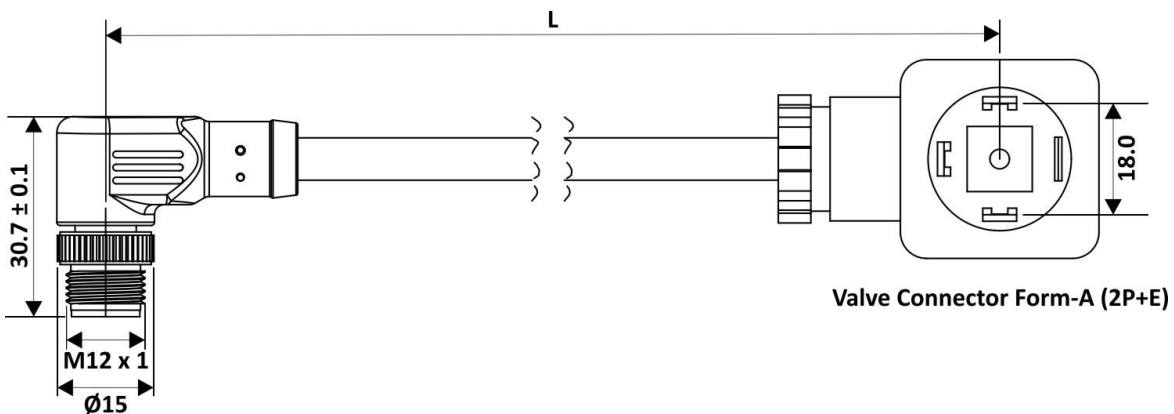
Approvals

Standards Met IEC 61076-2-101 (M12)

Similar Products

Stock No.	Brand	Product Name	Attribute 1	Attribute 2
2305690	RS PRO	M12 Male Angled to Valve Connector 5m Cable	Industrial Automation Cable Assemblies	M12 Valve Connector

Connection Diagrams / Assembly Diagrams / Illustrations / Accessories



All Dimensions are in mm.

