



ENGLISH

Datasheet

RS Article:1854686

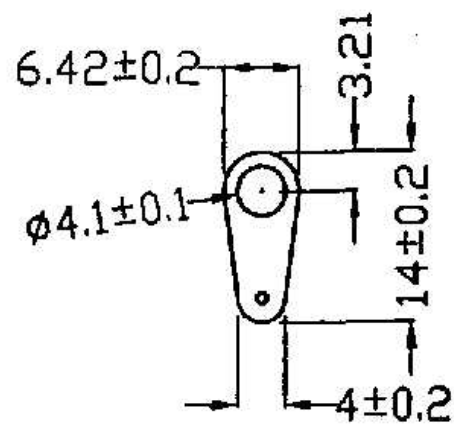
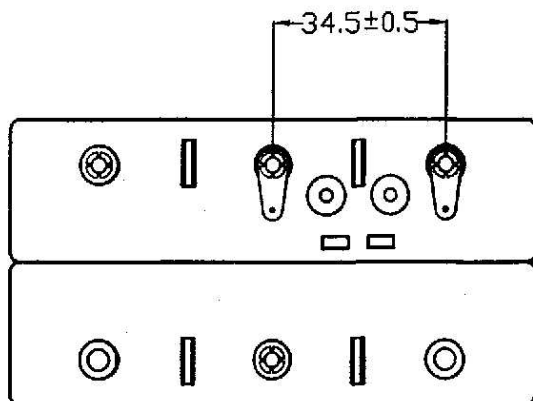
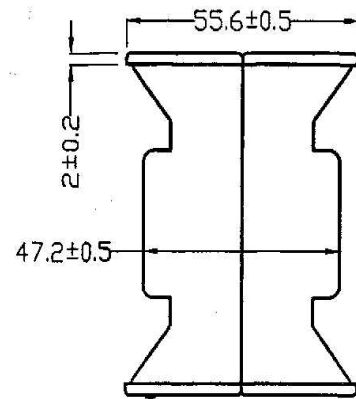
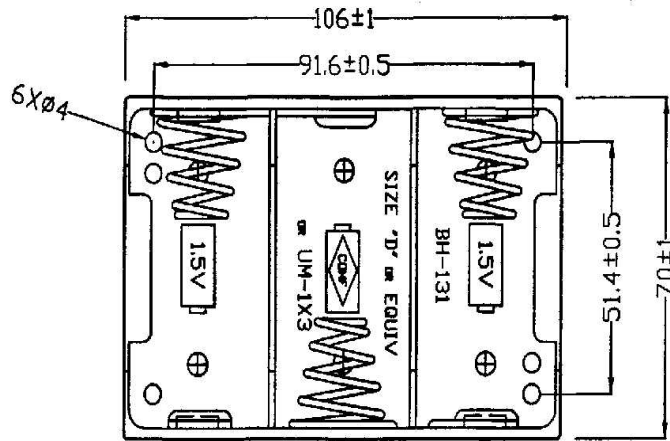
RS Pro Battery Holder



1. Preface:

The purpose of this product specification is to Dimension and drawing

D x 6 with Tag



比例:1:1

SPECIFICATION

- (1) ITEM NO: 1854686
- (2) SOLDER: BIG SOLDER
- (3) MATERIAL: P.P RESIN BLACK COLOR
- (4) SPRING: 0.9MM 65C SPRING WIRE

Measure: mm