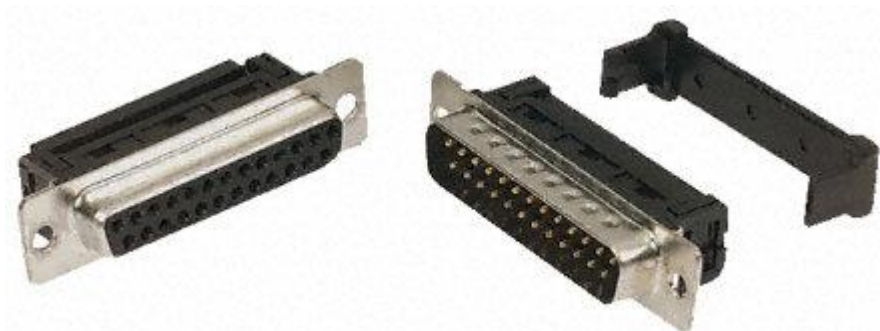


Datasheet

2.77mm Pitch 15 Way IDC D-sub Connector, Plug, Metal Shell

RS Stock number [642-4856](#)



SPECIFICATION

MATERIAL

Insulator: Polyester Resin And Glass Fiber Reinforced (UL94V-0)

Contacts: Brass

CONTACT PLATING: 30u" Selective Gold Over Nickel

PART NO.

222 A E XX M SM P 1 3 Y
 1 2 3 4 5 6 7 8 9 10

1.SERIES NO: 222=D-SUB

2.TYPE: A=Standard

3.GREEN OPTION

E=RoHS

4.CONTACT NUMBER:

09,15,25,37

5.CONTACT TYPE:

M=Male(Brass)

6.HOSING CONSTRUCTION TYPES:

SM=Metal Shell With Standard Thru Holes

7.STRAIN RELIEF:

P=Plastic strain relief

8.SHELL OPTION:

1=Tin plated Shell With

9.CONTACT PLATING:

3=30u" Gold (Selective)

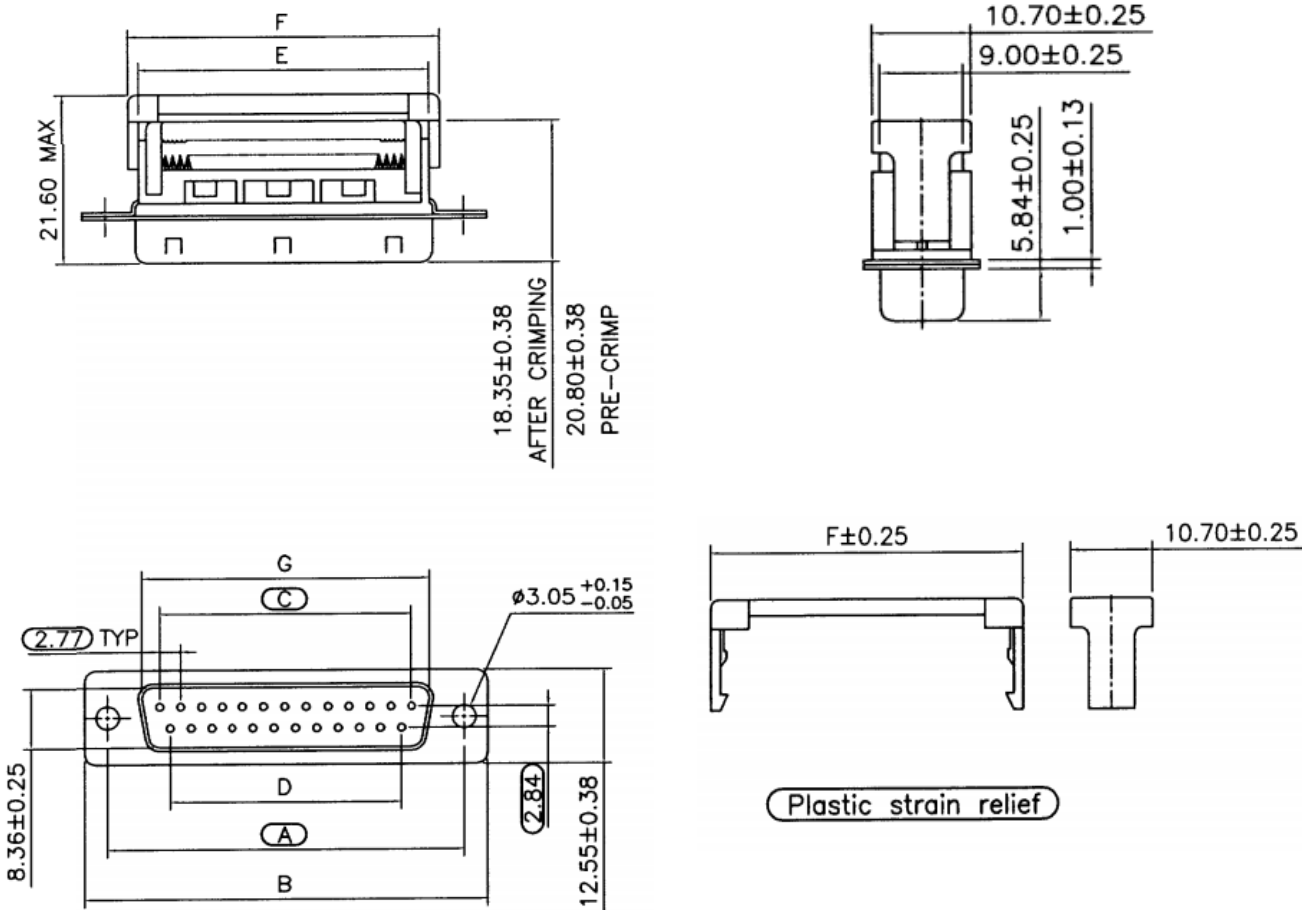
10.COLOR:

Y=Black

(1Pcs/Bag+Yellow Label)

(100Pcs/Bag+White Label)

Drawing (mm):



Dimensions (mm):

POSITION	A \pm 0.13	B \pm 0.25	C \pm 0.25	D \pm 0.13	F \pm 0.25	G \pm 0.25
09	24.99	30.80	11.08	8.31	18.60	16.92
15	33.32	39.10	19.39	16.62	26.60	25.25
25	47.04	53.09	33.24	30.47	40.90	38.96
37	63.50	69.40	49.86	47.09	57.10	55.45