



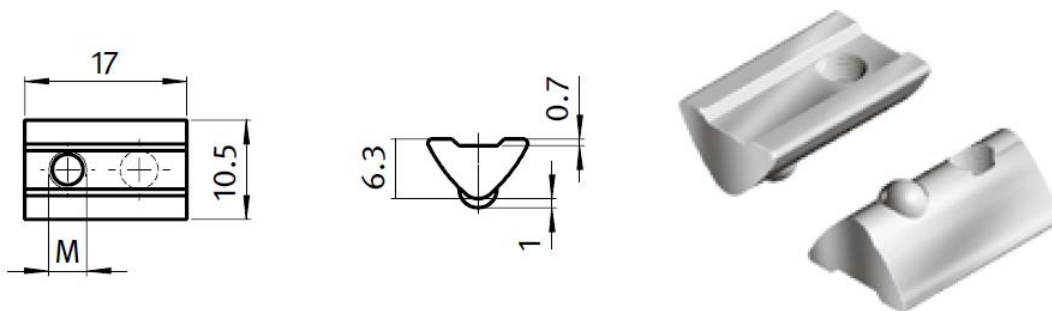
Datasheet

RS PRO Roll-in T-Slot Nut 10.5 x 6.3mm

Stock number: 180-9112

EN

Description Roll-in T-slot nut with spring loading ball for Slot 6
Material T-slot nut: Zinc plated steel
Ball: Stainless steel



RS Article no.	Product description	Thread	Weight [g]
1809112	Roll-in T slot nut, with spring ball, M3	M3	5.2



RS Article no.	Product description	Compatible with groove size	Product system	Structural element type
1809112	Roll-in T slot nut, with spring ball, M3	6	30	Fixing & Connecting element

