

Datasheet

Anti Surge T HBC Fuse, 500mA, 5x20mm

RS Stock number [563-659](#)

UDA

UDA-A



Specifications:

Materials

Ceramic body/nickel plated brass caps

Lead wire: Tin-lead plated copper, Diameter \varnothing 0.8mm.

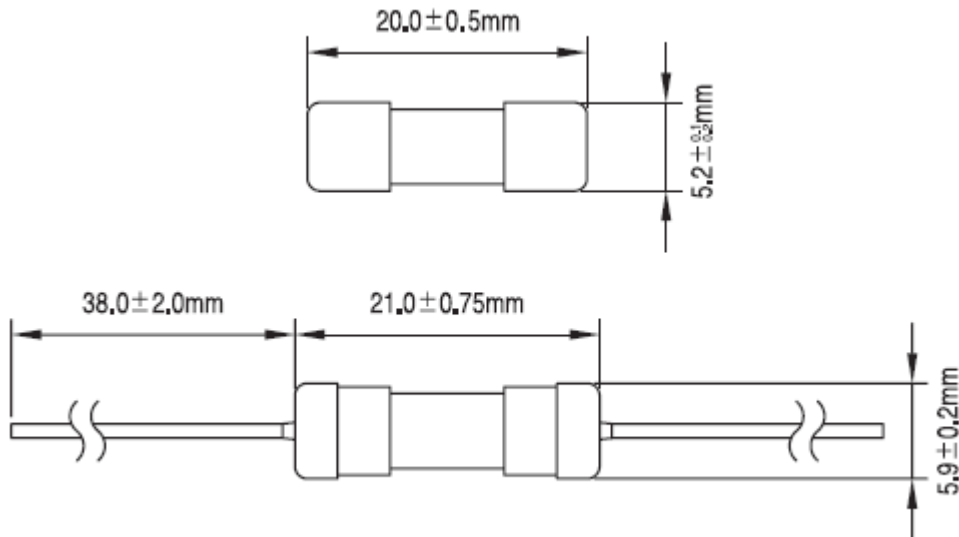
Interrupting Ratings

1500 amperes at 250V ac

Operating Temperature

-55°C to + 125°C

Drawing (mm):



Electrical Characteristic:

Rated Current	1.5In		2.1In		2.75 In		4 In		10 In	
	MIN	MAX	MIN	MAX	MIN	MAX	MIN	MAX	MIN	MAX
500mA ~800mA	60 min	30 min	250 ms	80 sec	50 ms	5 sec	5 ms	150 ms		
1A~3.15A	60 min	30 min	750 ms	80 sec	95 ms	5 sec	10 ms	150 ms		
4A~6.3A	60 min	30 min	750 ms	80 sec	150 ms	5 sec	10 ms	150 ms		
8A~12A	30 min	30 min	750 ms	80 sec	150 ms	5 sec	10 ms	150 ms		