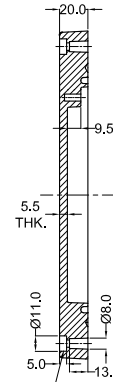
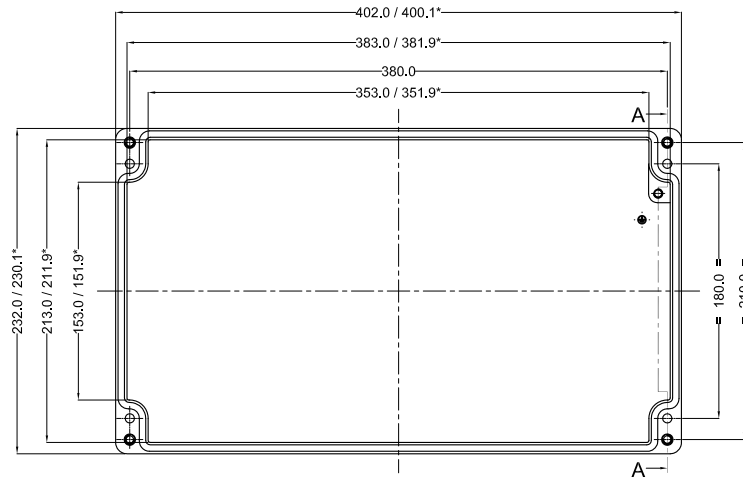


* = Conical form tapering downward.
 Untoleranced dimensions per GTA 13/5 DIN 1688

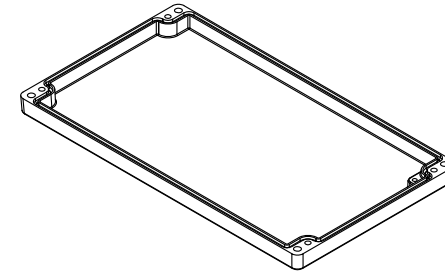
OPTIONAL ACCESSORIES		
PART NAME	QTY.	AVILABILITY
MOUNTING PLATE	1	Y
EXTERNAL HINGE	2	Y
INTERNAL HINGE	2	Y
MOUNTING BRACKETS	4	Y
NEOPRENE/SILICON GASKET	1	Y
DIN RAIL TS15	-	N
DIN RAIL TS35	1	Y

LID

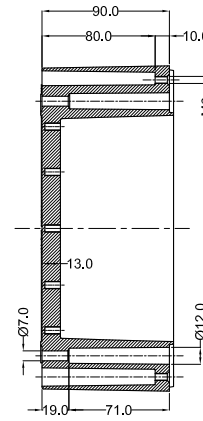
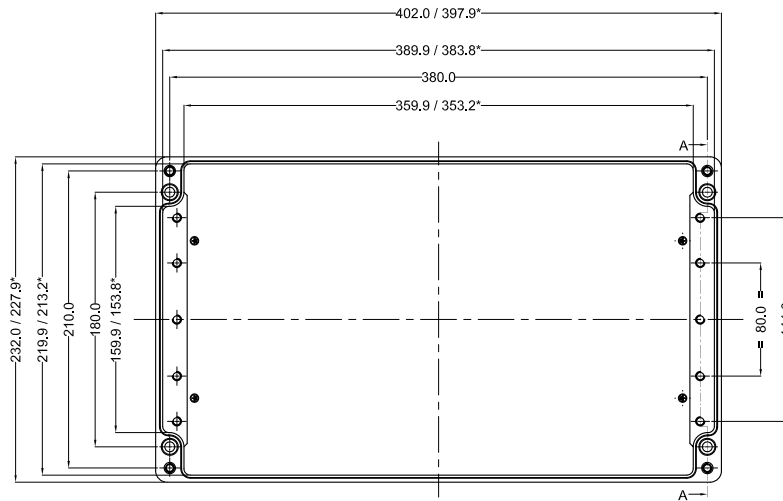


Cylinder Screw
 M6 x 25/10 similar to DIN 84

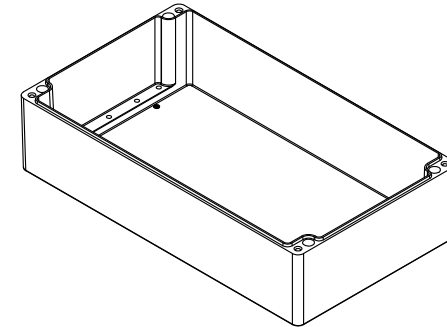
SECTION A-A



BASE



SECTION A-A



QUANTITY	MATERIAL :-	MACH.NAME	DATE	SIGN	NAME	
-	Alsi12	-			RRPL	DESIGN
	Din230		12/09/14		MANOJ	DRAWN
		TITLE :-	12/09/14		PAVAN	CHECKED
		JUNCTION BOX 400 x 230 x 110	12/09/14		M. S.	APPROVED
			SCALE			
TOLERANCE	WEIGHT:	FINISH:				
±0.2		NATURAL				
±0.2	HOLES		ALL DIMENSION ARE IN MM			
±1.0°	ANGLES	RJ - 35				