

Datasheet

# Worm Drive Stainless Steel Hose Clip

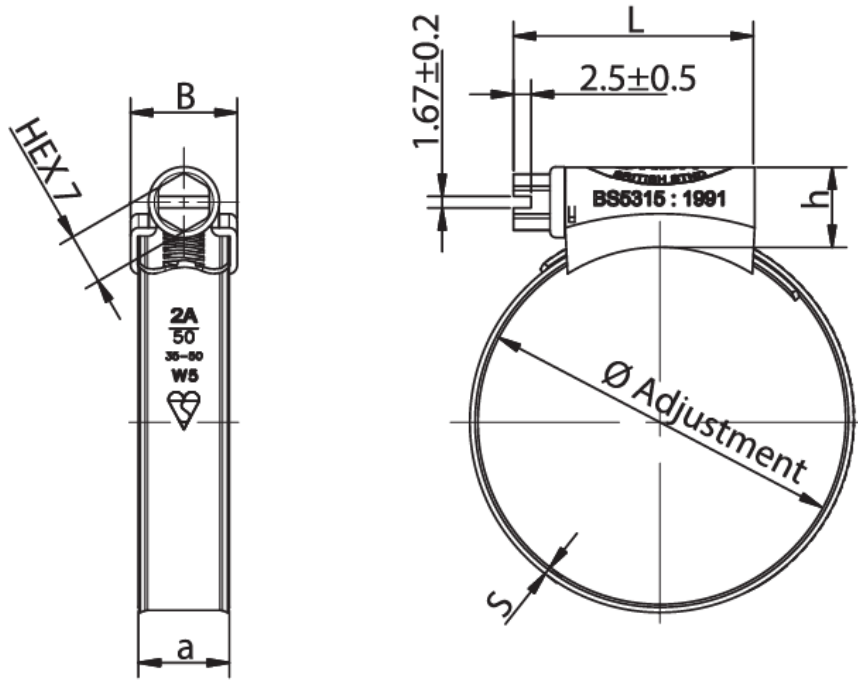


## Specification:

Material: AISI316 – All 316 Stainless Steel

Plating: None

## Drawing:



Stock no	BS Size	Range		L max	S±0.05	h max	a Band Width	b max	Torque Nm
		mm	in						
1720592	12	9.5 – 12	3/8 - 1/2	19.5	0.80	10.0	9.5	12.3	4.5
1720593	16	11 – 16	1/2 - 5/8						
1720594	20	13 – 20	1/2 - 3/4						
1720595	22	16 – 22	5/8 - 7/8	25.0		11.5	12.0	14.7	5.6
1720596	25	18 – 25	3/4 - 1						
1720597	30	22 – 30	7/8 - 1 1/8						
1720598	35	25 – 35	1 - 1 3/8						
1720599	40	30 – 40	1 1/8 - 1 5/8	33.0		11.5	12.0	14.7	6.8
1720600	45	35 – 45	1 3/8 - 1 3/4						
1720601	50	35 – 50	1 3/8 - 2						
1720602	55	40 – 55	1 5/8 - 2 1/8						
1720603	60	45 – 60	1 3/4 - 2 3/8						
1720604	70	55 – 70	2 - 2 3/4						
1720605	80	60 – 80	2 3/8 - 3 1/8						
1720606	90	70 – 90	2 3/4 - 3 1/2						
1720607	100	85 – 100	3 1/8 - 4						
1720608	120	90 – 120	3 1/2 - 4 3/4						
1720609	140	120 – 140	4 1/8 - 5	9.0					
1720610	150	130 – 150	5 - 5 3/4						
1720611	160	130 – 160	5 1/8 - 6 1/4						
1720612	180	150 – 180	5 7/8 - 7 1/8						
1720613	200	170 - 200	6 5/8 – 7 7/8		7.9				



## Product feature:

These hose clips are manufactured in 316 grade stainless steel. They are tested and “BSI Kitemark™” certified according to British Standard 5315:1991. W5 hose clip is entirely made from AISI-316 Stainless Steel, which is comparable to W5 DIN3017 (German Standard).

The hose clip is optimized for hose protection by raising the band edges and precisely stamping the band to provide a smooth underside surface. It provides the ultimate exterior hose wall protection with a non-perforated band, which gives more protection to the soft hose surface, during the installation and usage.

316 Stainless Steel is regarded as the standard “Marine grade stainless steel” and this grade is ideal for off-shore and salt water applications. It is suitable for any application that requires maximum corrosion resistance.