

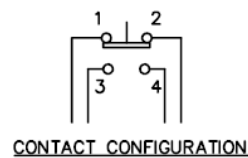
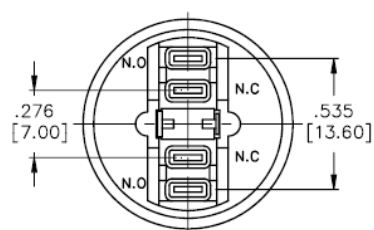
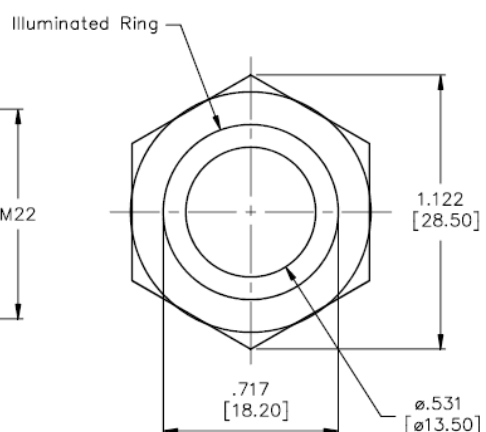
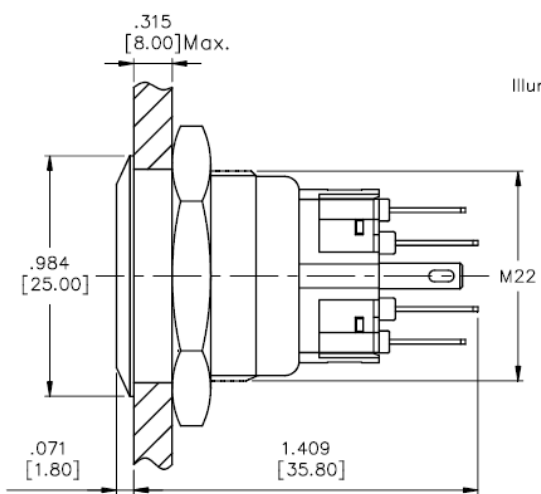
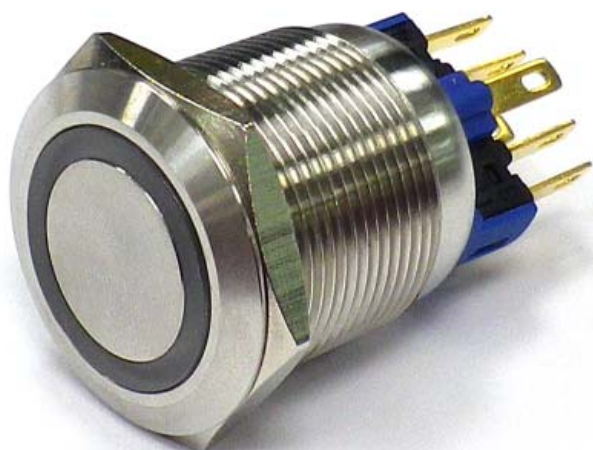


Product Datasheet

Anti-Vandal Switch

Switch Pushbutton Stainless Momentary

ENGLISH





ENGLISH

Package Contain:

- 1 x Anti-Vandal Switch
- 1 x Hex Nuts
- 1 x O-Ring

Specification:

| | | |
|-----------------------------------|-----------------------------------|---|
| SWITCH TYPE: | | 8118569 |
| POLES/THROWS: | | SPDT |
| SWITCH FUNCTIONS: | | Illuminated, ON-MOM |
| ELECTRICAL CHARACTERISTICS | CONTACT RATING: | MAX. 5Amps @ 250VAC |
| | ELECTRICAL LIFE: | 50,000 make-and-break cycles at full load |
| | CONTACT RESISTANCE: | 50m-ohms max. initial @ 2-4VDC, 100mA |
| | INSULATION RESISTANCE: | Apply 500VDC for 1min±5sec. After which measurement to be made b/w terminals shall result 1000M-ohms min. |
| | DIELECTRICAL STRENGTH: | 2,000VAC (50Hz-60Hz) RMS @ sea level shall result no damage to parts arcing or flashover |
| | OPERATING TEMPERATURE: | -20Celsius degree to +55Celsius degree |
| RELAIBILITY PERFORMANCE | MECHANICAL LIFE: | Without load, 50,000cycles min. |
| | OPERATING FORCE: | 4N max. |
| | TORQUE: | 5~14Nm max. applied to nut |
| | IP PROTECTION CLASS: | Front panel protection to IP67 |
| | SOLDERING HEAT RESISTANCE: | Max soldering temperature @ 260Celsius degree, immersion time 5+/-1sec, frequency of soldering process @ 2 times max. |
| | COLD TEST: | Stored at temperature -20(+/-3)Celsius degree for 48 hours, shall result no changes to switch's electrical performance |
| | HOT TEST: | Stored at temperature +55(+/-3)Celsius degree for 48 hours, shall result no changes to switch's electrical performance |
| | HUMIDITY TEST: | Stored at temperature 40(+/-3)Celsius degree with relative humidity 90%~95% for 48 hours, shall result no changes to switch's electrical performance |
| | TORQUE: | 5~14Nm max. applied to nut |
| | OPERATING FORCE: | 4N max. |



| | | |
|--|-------------------------------|--|
| MATERIAL CHARACTERISTICS | BUTTON: | |
| | BUSHING: | B12 : Stain less steel with varnished polished |
| | BASE: | PBT |
| | PLUNGER: | POM |
| | SPRING: | Steel wire |
| | CONTACT: | Copper alloy, silver plated |
| | TERMINALS: | Brass, silver plated |
| | HARDWARE: | Nut (Brass, nickel plated) |
| | LED: | Yellow, (AC/DC Compatible) Voltage & Rating: 12V @ 15mA |
| SOLDERING & CLEANING RECOMMENDATION | HAND SOLDERING: | Max. temperature @ 320Celsius degree (662F)with continuous soldering time @ 2sec. max. |
| | CLEANING PROCESS: | Noted, the switch is "not totally sealed" so it is important not to immerse/spray or clean unsealed areas of the switch during flux removal. Improper cleaning could cause switch deficiencies such as intermittence or open contact failures |
| PACKAGE | INTERNAL PACKAGING: | 1pcs per PE bag |
| | RoHS IDENTIFI-CATIONS: | A label marking "RoHS compliant" will be attached to the carton box. |