



# Datasheet

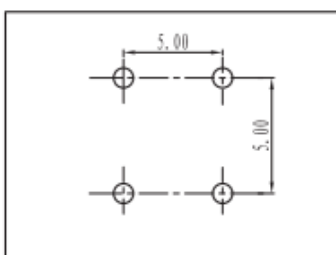
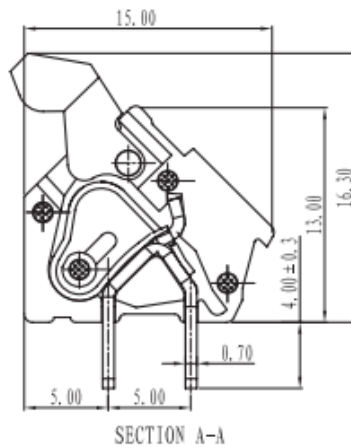
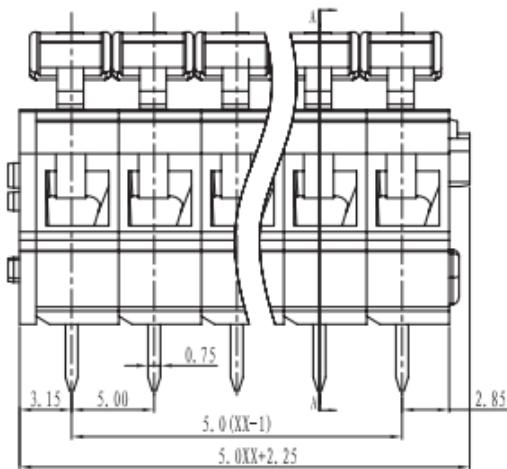
ENGLISH

## New 5.0mm Screwless 15A 6 Way

RS Stock 874-5528



### Dimensions: (mm)





ENGLISH

## Specifications

- Rated Voltage: 300V 10A
- Insulation Withstands Voltage: AC 2000 V/ Min
- Insulation Resistance:  $\geq 500\Omega\text{M}$  or more at DC500V
- Temperature Range:  $-40^{\circ}\text{C} \sim +105^{\circ}\text{C}$
- Suitable Electric Wire: 26~14AWG
- Strip Length: 5-6mm
- Pitch: 5.0mm
- Poles: 1P – XXP

## Materials

- Housing: PA66 / UL94V-0
- Wire Guard: Stainless Steel
- Pin Header: Brass / Tin Plated