



### Main

|                           |                                 |
|---------------------------|---------------------------------|
| Range of product          | Harmony 9001K<br>Harmony 9001SK |
| Product or component type | Contact block                   |
| Device short name         | 9001K                           |

### Complementary

|  |   |
|--|---|
| Terminals description ISO n°1                            | (1-2)NC   |
| Net weight   | 0.023 kg  |
| Contacts type and composition                            | 1 NO  |
| Contact operation  | Standard  |
| Positive opening   | Without   |
| Connections - terminals                                  | Screw clamp terminals, 1 x 0.22...2 x 2.5 mm <sup>2</sup> conforming to IEC 60947-1   |
| Tightening torque  | 0.8 N.m conforming to IEC 60947-1   |
| Shape of screw head                                      | Cross slotted   |
| Contacts material  | Silver alloy contacts   |
| Short-circuit protection                                 | 10 A cartridge fuse conforming to IEC 60947-5-1   |
| [I <sub>th</sub> ] conventional free air thermal current | 10 A  |
| [U <sub>i</sub> ] rated insulation voltage               | 250 V (pollution degree 3) conforming to IEC 60947-1  |
| [U <sub>imp</sub> ] rated impulse withstand voltage      | 2.5 kV conforming to IEC 60947-1  |
| [I <sub>e</sub> ] rated operational current              | 3 A at 240 V, AC-15, A600-Q600 conforming to NEMA<br>0.55 A at 125 V, DC-13, A600-Q600 conforming to NEMA   |
| [I <sub>cm</sub> ] rated short-circuit making capacity   | 12 KA at 600 V AC-15, 7200 VA<br>15 KA at 480 V AC-15, 7200 VA<br>30 KA at 240 V AC-15, 7200 VA<br>60 KA at 120 V AC-15, 7200 VA<br>0.27 KA at 250 V DC-13, 7200 VA<br>0.55 KA at 125 V DC-13, 7200 VA<br>0.1 kA at 600 V DC-13 |
| Rated breaking capacity                                  | 3 KA at 240 V AC-15, 720 VA<br>6 KA at 120 V AC-15, 720 VA<br>1.2 KA at 600 V AC-15, 720 VA<br>1.5 KA at 480 V AC-15, 720 VA<br>0.1 KA at 600 V DC-13<br>0.27 KA at 250 V DC-13<br>0.55 kA at 125 V DC-13                       |
| [U <sub>s</sub> ] rated supply voltage                   | 0...600 V   |
| Connections - terminals                                  | Screw-clamp terminals   |

### Environment

|                                       |                                  |
|---------------------------------------|----------------------------------|
| Protective treatment                  | TC                               |
| Ambient air temperature for storage   | -40...70 °C                      |
| Ambient air temperature for operation | -25...70 °C                      |
| Electrical shock protection class     | Class II conforming to IEC 61140 |
| IP degree of protection               | IP20 conforming to IEC 60529     |

|                        |  |
|------------------------|--|
| Standards              | EN/IEC 60947-5-4<br>JIS C 852<br>EN/IEC 60947-5-1<br>JIS C 4520<br>CSA C22.2 No 14<br>UL 508<br>EN/IEC 60947-1 |
| Product certifications | UL 508<br>NEMA   |
| Vibration resistance   | 7 gn (f= 2...500 Hz) conforming to IEC 60068-2-6   |
| Shock resistance       | 50 gn conforming to IEC 60068-2-27   |

## Packing Units

|                              |         |
|------------------------------|---------|
| Unit Type of Package 1       | PCE     |
| Number of Units in Package 1 | 1       |
| Package 1 Height             | 3 cm    |
| Package 1 Width              | 4 cm    |
| Package 1 Length             | 5 cm    |
| Package 1 Weight             | 23 g    |
| Unit Type of Package 2       | S01     |
| Number of Units in Package 2 | 100     |
| Package 2 Height             | 15 cm   |
| Package 2 Width              | 15 cm   |
| Package 2 Length             | 40 cm   |
| Package 2 Weight             | 2.39 kg |

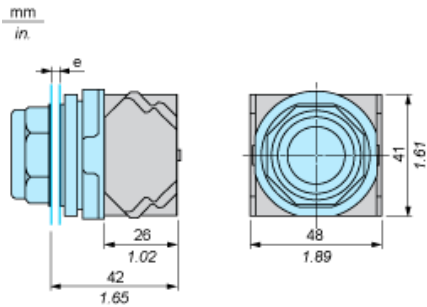
## Offer Sustainability

|                            |   |
|----------------------------|---|
| Sustainable offer status   | Green Premium product   |
| REACH Regulation           | <a href="#">REACH Declaration</a>   |
| EU RoHS Directive          | Pro-active compliance (Product out of EU RoHS legal scope) <a href="#">EU RoHS Declaration</a>                              |
| Mercury free               | Yes   |
| China RoHS Regulation      | <a href="#">China RoHS Declaration</a>  |
| RoHS exemption information | <a href="#">Yes</a>   |
| Environmental Disclosure   | <a href="#">Product Environmental Profile</a>   |
| WEEE                       | The product must be disposed on European Union markets following specific waste collection and never end up in rubbish bins |

## Contractual warranty

|          |           |
|----------|-----------|
| Warranty | 18 months |
|----------|-----------|

Dimensions



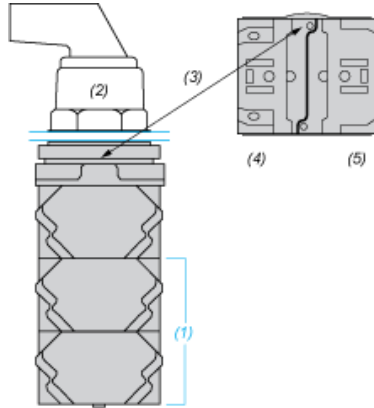
e panel thickness: 1 to 6 mm / 0.04 to 0.24 in.

---

Contact Block Mounting Position

---

Top and Rear views



- (1) It is possible to mount up to 3 levels of contacts blocks (maximum of 6 contacts blocks)
- (2) Operator
- (3) Locating notch
- (4) Side 1
- (5) Side 2