

JIS 10K Cast Iron Flange End Gate Valves

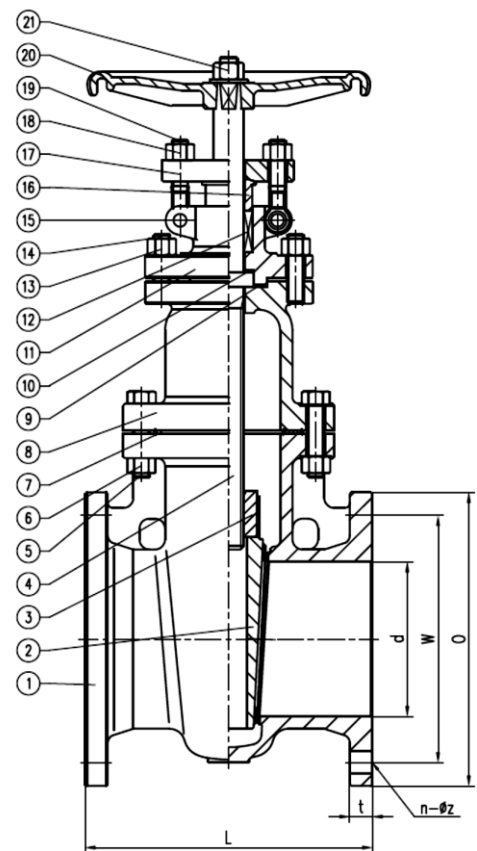
Features

- JIS 10K Flange Connection
- Size: 2" – 4" (DN50 – DN100)
- Valve Body Material: Cast Iron
- Working Pressure: 10kg/cm²
- Applicable Medium: General oil, gas and water applications
- Temperature Range: ≤ 205°C



Material List

No.	Part Name	Material
1	Body	ASTM A126 B + SS
2	Wedge	ASTM A126 B + SS
3	Stem Nut	ASTM A276 410
4	Stem	ASTM A276 410
5	Bolts	ASTM A29 1035
6	Nuts	ASTM A29 1025
7	Gasket	SS304+Graphite
8	Bonnet	ASTM A126 B
9	Gasket	Flexible Graphite
10	Thrust Washer	SS
11	Yoke	ASTM A126 B
12	Packing	Flexible Graphite
13	Nuts	ASTM A29 1025
14	Bolts	ASTM A29 1035
15	Pin	ASTM A29 1025
16	Packing Gland	ASTM A276 410
17	Gland Flange	ASTM A126 B
18	Nuts	ASTM A29 1025
19	Eye Bolts	ASTM A29 1035
20	Handwheel	ASTM A47 32510
21	Nut	ASTM A29 1025



Technical Specifications

1. Basic design and manufacture according to ASME B16.10
2. Face to face dimension: ASME B16.10
3. Flange End: JIS B2212
4. Inspection and test: API 598

Main Technical Parameter			
Normal pressure		10K	
Test pressure	Hydraulic body test	2.06	MPa
	Seal test	1.57	
	Hermetical seal test	0.6	
Max working temperature		≤ 205°C	
Applicable Medium: General oil, gas & water			

JIS 10K Cast Iron Flange End Gate Valves

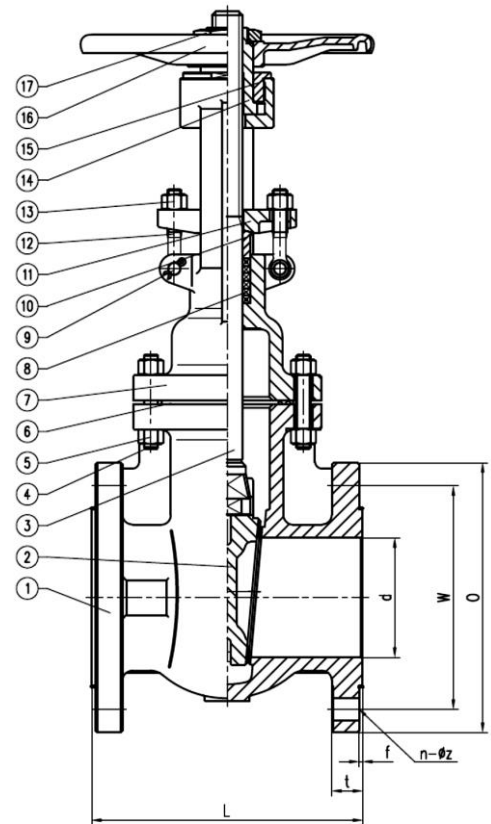
Features

- JIS 10K Flange Connection
- Size: 5" – 6" (DN125 – DN150)
- Valve Body Material: Cast Iron
- Working Pressure: 10kg/cm²
- Applicable Medium: General oil, gas and water applications
- Temperature Range: ≤ 429°C



Material List

No.	Part Name	Material
1	Body	ASTM A126 B + SS304
2	Wedge	ASTM A126 B + SS304
3	Stem	ASTM A276 304
4	Bolts	ASTM A29 1035
5	Nuts	ASTM A29 1025
6	Gasket	SS304 + Graphite
7	Bonnet	ASTM A126 B
8	Packing	Flexible Graphite
9	Pin	ASTM A29 1045
10	Packing Gland	ASTM A276 304
11	Gland Flange	ASTM A126 B
12	Eye Bolts	ASTM A29 1035
13	Nuts	ASTM A29 1025
14	Stem Nut	ASTM A276 410
15	Cover	ASTM A29 1025
16	Handwheel	ASTM A47 32510
17	Nut	ASTM A29 1025



Technical Specifications

5. Basic design and manufacture according to ASME B16.10
6. Face to face dimension: ASME B16.10
7. Flange End: JIS B2212
8. Inspection and test: API 598

Main Technical Parameter			
Normal pressure		10K	
Test pressure	Hydraulic body test	2.06	MPa
	Seal test	1.57	
	Hermetical seal test	0.6	
Max working temperature		≤ 429°C	
Applicable Medium: General oil, gas & water			

Ordering Information

VL - CI - GA - F - 10K - 32
 I II III IV V VI

I Type of Item

VL Low Pressure Valves

II Material Grade

S SS316, CF8M CI Cast Iron
 FS Forged Steel CS Cast Steel
 B Brass

III Item

GA Gate Valve B1 1 PC Ball Valve
 GL Globe Valve B2 2 PC Ball Valve
 YS Y-Strainer B3 3 PC Ball Valve
 SC Swing Check Valve BL 3 Way Ball Valve L Port
 VC Vertical Check Valve BT 3 Way Ball Valve T Port
 WC Wafer Check Valve BMF Male x Female Mini Ball Valve
 DD Dual Disk BU Butterfly Valve

IV Connection Type

SW S/W G BSPP
 BW B/W N NPT
 R BSPT F Flange End
 W Wafer L Lug

V Pressure

200 200 PSI 2000 2000 PSI
 300 300 PSI 150 ANSI 150# Flange Standard
 600 600 PSI 10K JIS 10K Flange Standard
 800 800 PSI PN16 PN 16 Flange Standard
 1000 1000 PSI

For Inch OD & Inch NB Sizes

VI Size

Size	1/8"	1/4"	5/16"	3/8"	1/2"	5/8"	3/4"	1"
Code	02	04	05	06	08	10	12	16
Size	1 1/4"	1 1/2"	2"	2 1/2"	3"	4"	5"	6"
Code	20	24	32	40	48	64	80	96

VII Coating

(None) No Additional Coating
 NI Nickel Plating

Dimension List

DN50 – DN100

NPS	Part No	d	L	O	W	n – Øz	t	Weight (Kg)
2"	VL-CI-GA-F-10K-32	50	200	155	120	4-Ø19	20	19.10
2 1/2"	VL-CI-GA-F-10K-40	65	220	175	140	4-Ø19	22	25.60
3"	VL-CI-GA-F-10K-48	80	230	185	150	8-Ø19	22	34.00
4"	VL-CI-GA-F-10K-64	100	250	210	175	8-Ø19	24	45.80

DN125 – DN150

NPS	Part No	d	L	O	W	n – Øz	t	f	Weight (Kg)
5"	VL-CI-GA-F-10K-80	125	250	250	216	8-Ø22	23.9	2	49.00
6"	VL-CI-GA-F-10K-96	150	270	280	241.5	8-Ø22	25.4	2	60.20

Part Number Reference

Part No	Description
VL-CI-GA-F-10K-32	2"JIS10K CI FLANGE END GATE VALVE FF, NON-RISING STEM, JIS F7364
VL-CI-GA-F-10K-40	2 1/2"JIS10K CI FLANGE END GATE VALVE FF, NON-RISING STEM, JIS F7364
VL-CI-GA-F-10K-48	3"JIS10K CI FLANGE END GATE VALVE FF, NON-RISING STEM, JIS F7364
VL-CI-GA-F-10K-64	4"JIS10K CI FLANGE END GATE VALVE FF, NON-RISING STEM, JIS F7364
VL-CI-GA-F-10K-80	5"JIS10K CI FLANGE END GATE VALVE RF, RISING STEM, SS304 TRIM
VL-CI-GA-F-10K-96	6"JIS10K CI FLANGE END GATE VALVE RF, RISING STEM, SS304 TRIM