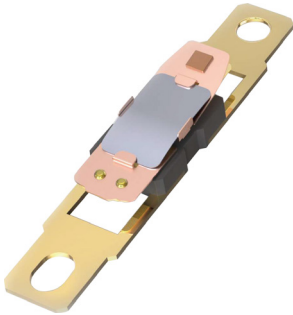


RoHS
Compliant



Features

- Snap Action
- Automatic Reset
- Superior Heat Response
- Non-Phenolic Insulation
- Normally Closed

Applications

Hair Dryers, Electric Fan Heaters, Popcorn Machines, Electric Ovens, Dish Dryers, Blower, Small Home Appliances, etc.

Heat Endurance

Open Temperature +50°C/Continuity, 200°C/1min

Life Cycle (Resistive Load)

15A/125V AC 10,000 cycles

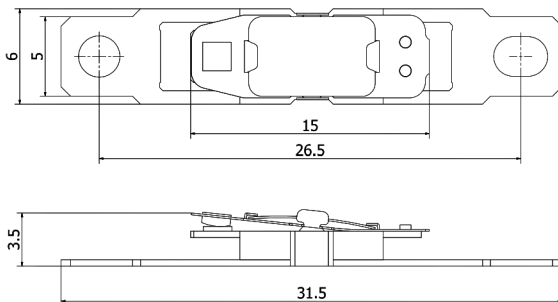
10A/125V AC 10,000 cycles

13A/125V AC 10,000 cycles

Temperature Setting Range (at no load)

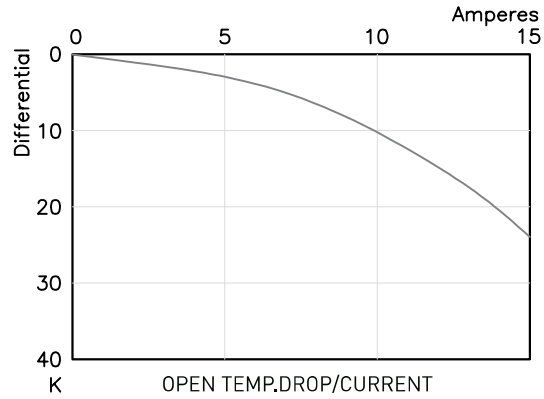
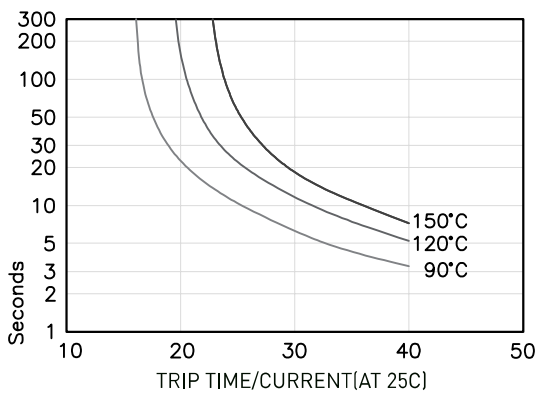
60°C to 150°C in increments of 5°C

Diagram



Dimensions : Millimetres

Characteristics



Part Number Table

Description	Part Number
Thermal Circuit Breaker, N/C, Set 70°C	MP-12 70 DEG C
Thermal Circuit Breaker, N/C, Set 80°C	MP-12 80 DEG C
Thermal Circuit Breaker, N/C, Set 90°C	MP-12 90 DEG C
Thermal Circuit Breaker, N/C, Set 100°C	MP-12 100 DEG C
Thermal Circuit Breaker, N/C, Set 105°C	MP-12 105 DEG C
Thermal Circuit Breaker, N/C, Set 110°C	MP-12 110 DEG C
Thermal Circuit Breaker, N/C, Set 120°C	MP-12 120 DEG C
Thermal Circuit Breaker, N/C, Set 140°C	MP-12 140 DEG C
Thermal Circuit Breaker, N/C, Set 150°C	MP-12 150 DEG C

Important Notice : This data sheet and its contents (the "Information") belong to the members of the AVNET group of companies (the "Group") or are licensed to it. No licence is granted for the use of it other than for information purposes in connection with the products to which it relates. No licence of any intellectual property rights is granted. The Information is subject to change without notice and replaces all data sheets previously supplied. The Information supplied is believed to be accurate but the Group assumes no responsibility for its accuracy or completeness, any error in or omission from it or for any use made of it. Users of this data sheet should check for themselves the Information and the suitability of the products for their purpose and not make any assumptions based on information included or omitted. Liability for loss or damage resulting from any reliance on the Information or use of it (including liability resulting from negligence or where the Group was aware of the possibility of such loss or damage arising) is excluded. This will not operate to limit or restrict the Group's liability for death or personal injury resulting from its negligence. Multicomp Pro is the registered trademark of Premier Farnell Limited 2019.