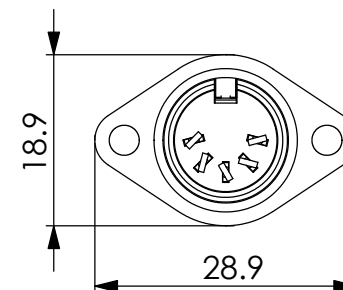
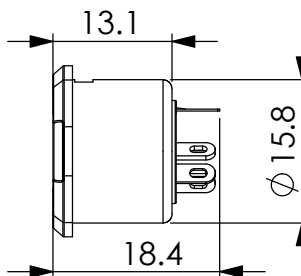
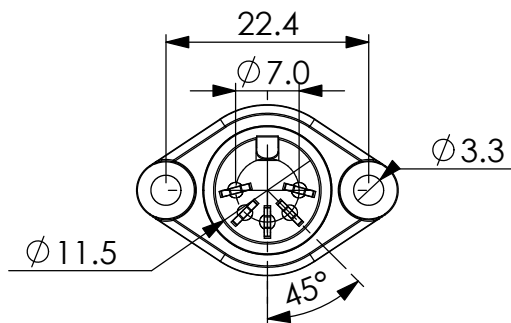


THROUGH HOLE DIMENSIONS



Specifications

rating :
100V AC 4A MAX
 contact resistance :
pins-30mΩ MAX; shell-50mΩ MAX
 insulation resistance :
MIN 100 MEGΩ @500V DC
 voltage withstand :
250V AC R.M.S. for 1 minute

4	Housing	ABS		1
3	Terminals	Brass	Silver Ptd.	5
2	Negative contact	Copper	Nickel Ptd.	1
1	Shield Cover	Zn Alloy	Nickel Ptd.	1
No.	Description	Material	Treat	Q'ty

品名: ITEM :	5P180 DIN SOCKET CHASSIS MOUNT			一般公差	SHEET: <table border="1"><tr><td>1</td></tr><tr><td>1</td></tr></table>	1	1	單位: unit:	mm	日期: date:	'08/03/08	繪圖: drwn by:	DanielShyr
	1												
1													
料號: PART NO.	491093	圖號: DRW NO.		.X +/-0.25 .XX +/-0.10	比例: scale:	3 : 2	版本: version:	V. 2.0	核准: aprVld by:	SkyShyr			