



# MASTERCcolour CDM-TD



## MASTERC CDM-TD 150W/942 RX7s 1CT

Range of double-ended, compact, high-efficiency, discharge lamps with a stable color over lifetime and a crisp, sparkling light

### Warnings and Safety

- Use only in totally enclosed luminaire, even during testing (IEC61167, IEC 62035, IEC60598)
- The luminaire must be able to contain hot lamp parts if the lamp ruptures
- Lamps may use electronic or electromagnetic control gear
- Control gear must include end-of-life protection (IEC61167, IEC 62035)
- A lamp breaking is extremely unlikely to have any impact on your health. If a lamp breaks, ventilate the room for 30 minutes and remove the parts, preferably with gloves. Put them in a sealed plastic bag and take it to your local waste facilities for recycling. Do not use a vacuum cleaner.

### Product data

General Information		Color rendering index (CRI)	
Cap-Base	RX7S [RX7s]		96
Operating Position	P45 [Parallel +/-45D or Horizontal(HOR)]	Arc Length O (Nom)	10 mm
Flux measurement reference	Sphere	<b>Operating and Electrical</b>	
Life to 50% Failures (Nom)	16,000 hour(s)	Power Consumption	152.0 W
<b>Light Technical</b>		Voltage (Nom)	103 V
Color Code	942 [CCT of 4200K]	Voltage (Nom)	103 V
Luminous Flux	13,650 lm	<b>Controls and Dimming</b>	
Color Designation	Cool White (CW)	Dimmable	No
Chromaticity Coordinate X (Nom)	0.371	<b>Mechanical and Housing</b>	
Chromaticity Coordinate Y (Nom)	0.366	Bulb Finish	Clear
Correlated Color Temperature (Nom)	4200 K		
Luminous Efficacy (rated) (Nom)	90 lm/W		

# MASTERC colour CDM-TD

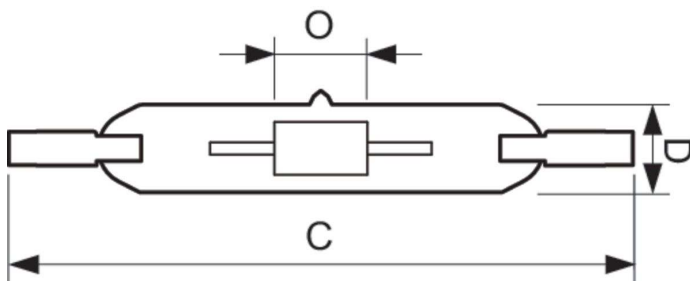
Bulb Shape	T22 [T 22mm]
<b>Approval and Application</b>	
Energy Efficiency Class	G
Mercury (Hg) Content (Max)	8.3 mg
Mercury (Hg) Content (Nom)	8.29 mg
Energy Consumption kWh/1000 h	152 kWh
EPREL Registration Number	473340

## Product Data

Order product name	MASTERC CDM-TD 150W/942 RX7s 1CT
--------------------	----------------------------------

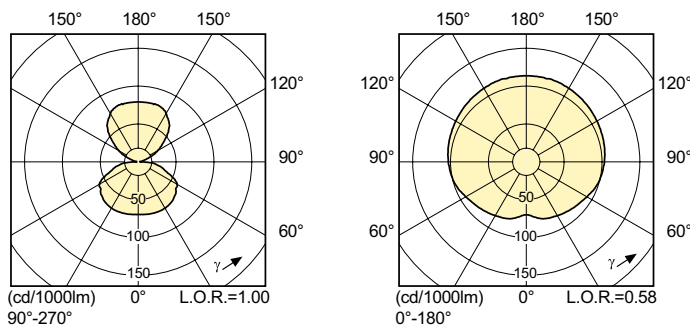
Full product name	MASTERC CDM-TD 150W/942 RX7s 1CT
Full product code	871150020025915
Order code	928084805133
Material Nr. (12NC)	928084805133
Numerator - Quantity Per Pack	1
EAN/UPC - Product/Case	8711500200259
Numerator - Packs per outer box	12
EAN/UPC - Case	8711500200266

## Dimensional drawing



Product	D (max)	D O	C (max)
MASTERC CDM-TD 150W/942 RX7s 1CT	22 mm	10 mm	137.43 mm

## Photometric data

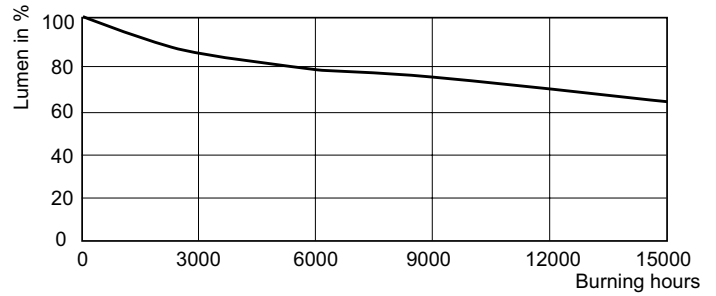


Light Distribution Diagram - MASTERC CDM-TD 150W/942 RX7s 1CT

Spectral Power Distribution Colour - MASTERC CDM-TD 150W/942 RX7s 1CT

# MASTERC colour CDM-TD

## Lifetime



Life Expectancy Diagram - MASTERC CDM-TD 150W/942 RX7s 1CT

Lumen Maintenance Diagram - MASTERC CDM-TD 150W/942 RX7s 1CT

