



Datasheet

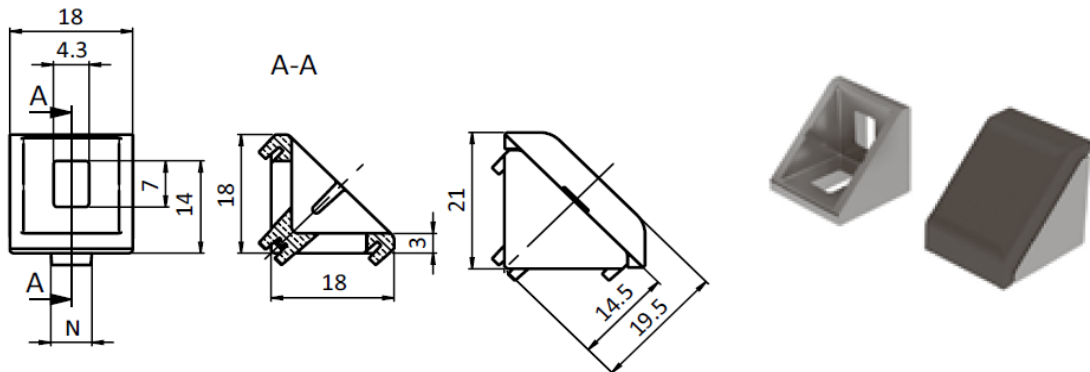
RS PRO Aluminium Connection Angle

Stock number: 180-9136, 180-9137

EN

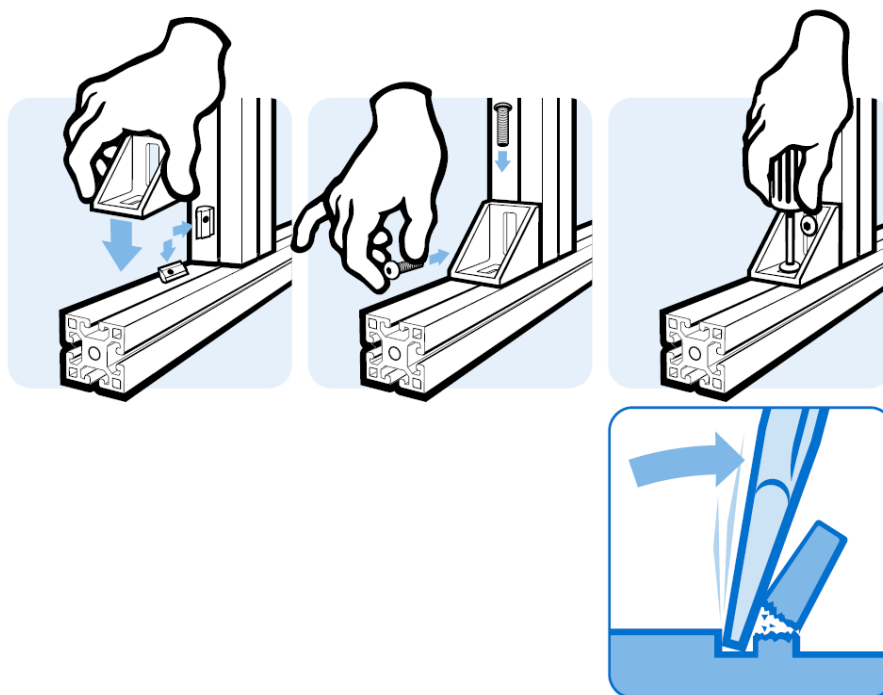
Description To connect two aluminium profiles or panels at right angles, for Slot 5 & 6

Material Angel: Aluminium die-cast



RS Article no.	Product description	N	Weight [g]
1809136	Alu connection angle slot 5	5	4.6
1809137	Alu connection angle slot 6	6	4.8





RS Article no.	Product description	Compatible with groove size	Product system	Structural element type
1809136	Alu connection angle slot 5	5	20	Connecting Bracket & Joint
1809137	Alu connection angle slot 6	6	20	Connecting Bracket & Joint