

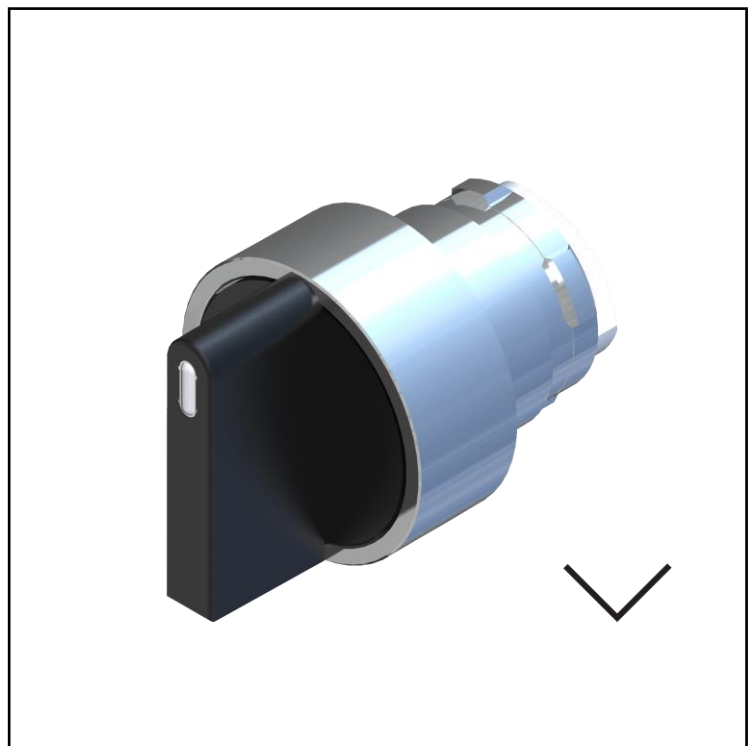
## FEATURES

- Front panel mount
- Black short lever
- Chrome plated outer
- Non-illuminated
- Switch position: 2 or 3
- Switch Actuation: Maintained, Spring Return from left and Right, Return from Left, Return from Right options
- Outer diameter: 30 mm
- IP65 rating

## RS PRO Selector Switch

### Heads – Short Lever

RS Stock No.: 2383918



RS Professionally Approved Products bring to you professional quality parts across all product categories. Our product range has been tested by engineers and provides a comparable quality to the leading brands without paying a premium price.

## Family Name

### Product Description

From the trusted brand RS PRO, a range of high-quality selector switch heads designed to be used in conjunction with a compatible contact block and support base. These non-illuminated selector switch heads have a chrome-plated body, short lever actuator and are available with 2 or 3 switch position options. During application, they are front panel mounted via a 22 mm cut-out and should be connected to a support base secured with screws. Once fully operational the selector switch heads open and close contacts, turn right, left, and centre with a positive feel without rotation of the operators.

### General Specifications

|                 |  |
|-----------------|--|
| Casing Material | Chrome-plated Zamak  |
| Operator        | Short lever selector switches 2383918 - 2 stable positions |
| Color           | Black  |
| Outer diameter  | 30   |

### Mechanical Specifications

|  |           |
|--|-----------|
| Operating Temperatures [°C]                    | -25 / +70 |
| Stock Temperatures [°C]                        | -40 / +80 |
| Mechanical durability (Millions of operations) | 0.3       |
| B10d (million of operations)                   | 0.6       |
| Max. switching frequency [Cicli/h]             | 3600      |

### Electrical Specifications

|  |  |
|--|--|
|  |  |
|--|--|

### Protection Category

|                         |    |
|-------------------------|----|
| IP Degree of Protection | 65 |
|-------------------------|----|

### Additional Information

## Family Name

|                             |               |
|-----------------------------|---------------|
| <b>EAN</b>                  | 8000126233360 |
| <b>Custom Tariff Number</b> | 85371098      |

### Classification

|                         |  |
|-------------------------|--|
| <b>eCI@ss</b> (Version) |  |
| <b>UNSPSC</b> (Version) |  |

### Approvals

|                      |                         |
|----------------------|-------------------------|
| <b>Declarations</b>  | CE – UKCA               |
| <b>Standards Met</b> | EN 60947-5-1 and UL 508 |

### Similar Products

| Stock No. | Brand  | Product Name | Attribute 1 | Attribute 2 | Attribute 3 |
|-----------|--------|--------------|-------------|-------------|-------------|
| XXX-XXXX  | RS PRO |              |             |             |             |
| XXX-XXXX  | RS PRO |              |             |             |             |

Connection Diagrams / Assembly Diagrams / Illustrations / Accessories