

## FEATURES

- Through beam reflection working principle;
- Excellent anti-interference performance;
- With special on-delay and off-delay function;
- Emitter and receiver should be used in pair.

## RS PRO Photoelectric Sensor

RS Stock No.: 2025460, 2025462



RS PRO Professionally Approved Products bring to you professional quality parts across all product categories. Our product range has been tested by engineers and provides a comparable quality to the leading brands without paying a premium price.

### Part Number Description

Part number	Sensing distance	Light source	Output	Connection
2025460 (Emitter)	30m (receiver adjustable)	Infrared LED (880nm)	Relay	Terminal
2025462 (Receiver)				

### General Specifications

<b>Detection Type</b>	Through beam reflection
<b>Standard target</b>	> $\phi$ 15mm opaque object
<b>Response Time</b>	$\leq$ 30ms
<b>Hysteresis [%/Sr]</b>	.....
<b>Output Indicator</b>	Emitter: Green LED; Receiver: Yellow LED
<b>Repeat accuracy [R]</b>	$\leq$ 5%
<b>Ambient Temperature</b>	-15°C...55 °C
<b>Ambient humidity</b>	35...85%RH (Non-condensing)

### Electrical Specifications

<b>Operating Supply Voltage</b>	24...240VAC/12...240 VDC
<b>Current Consumption</b>	$\leq$ 35mA
<b>Residual voltage</b>	.....
<b>Load Current</b>	$\leq$ 3A (receiver)
<b>Voltage withstand</b>	2000V/AC 50/60Hz 60s
<b>Insulation resistance</b>	$\geq$ 50M $\Omega$ (500VDC)
<b>Vibration resistance</b>	10...50Hz (0.5mm)
<b>Circuit Protection</b>	No

### Mechanical Specifications

<b>Body Style</b>	Block
<b>Mounting Type</b>	Screw
<b>Housing Material</b>	PC/ABS
<b>Dimensions</b>	88*65*25mm
<b>Gross Weight</b>	210g

**Protection Category**

IP Rating IP67

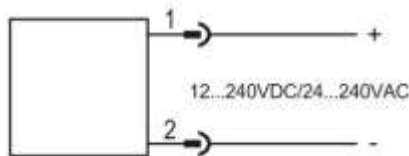
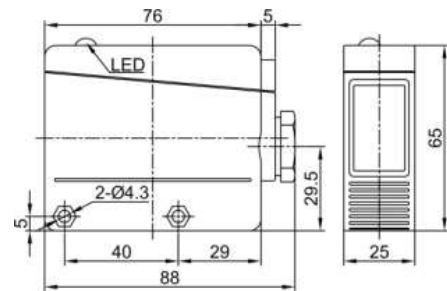
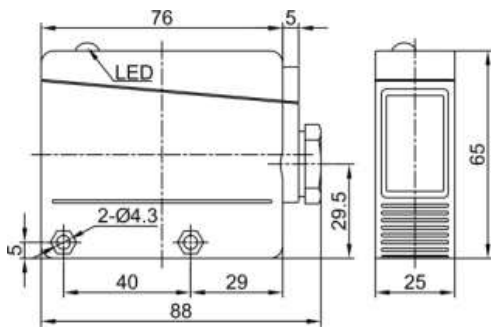
**Additional Information**

Custom Tariff Number/HS code 903180

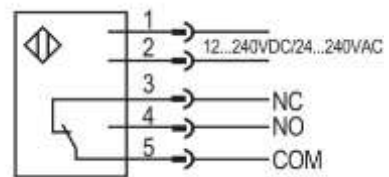
**Approvals**

Compliance/Certifications CE

**Dimension and Wiring**



Emitter



Receiver