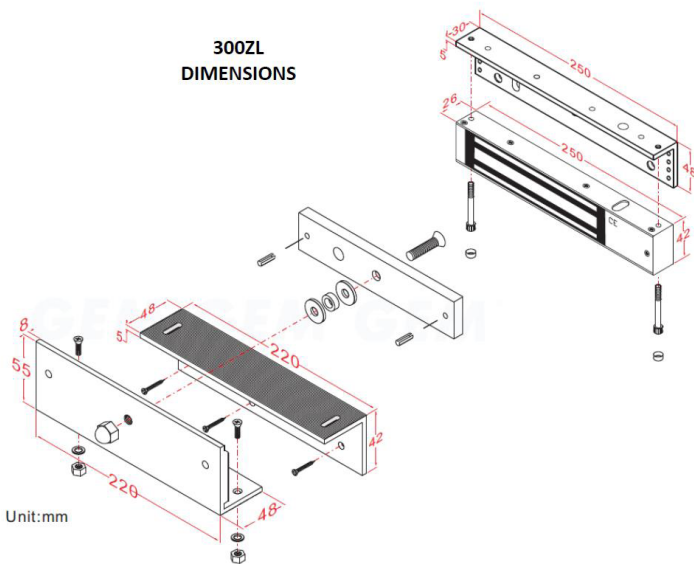
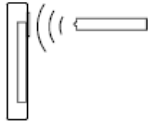


**300ZL
 DIMENSIONS**





Note:

- 1.all operations can be fulfilled via this wireless keyboard.
- 2.take the antenna of keyboard vertically aimed at the infrared area in order to good data transmitting.

Enter the system

Press the * and # button on the access control keyboard, follow the 4-digit primary password , and then press the # button, the indicator will flash red , a long tone “Di” will be heard, now enter setting mode.(note: The primary password is 4567.)

Note : the system is automatically quitted in 20 seconds of inactivity.

Add user card

Enter the setting mode: Press the button “ 1 ” in the mean time a tone “Di” will be heard, take a magnetic card near the sensor of Access Control or input the last 6-digital card number . two tone “Di” indicates the user card success of user card adding . add other magnetic cards one by one with a continuous tone “Di” . With 4 tones “Di” indicates this card has already been added . After all user cards setting are completed, press the button * to return to the setting mode, follow the button * to return to the standby mode.

Note:Record the series numbers of these user cards.

Delete user card

Enter the setting mode: Press the button “ 2 ” in the mean time a tone “Di” will be heard, take a magnetic card near the sensor of Access Control or input the last 6-digital card number. Two tone “Di” indicates the success of user card deleting .Delete other use cards one by one with a continuous voice “Di” . The 4 tones “Di” indicates this card has already been deleted . After all user cards deleting are completed, press the button * to return to the setting mode, follow the button * to return to the standby mode.

Delete all cards

Enter the setting mode. Press the button “ 9 ” in the mean time a tone “Di” will be heard, follow the button “ 9 ” again, then hearing a continuous tone “Di” , the tone disappearance indicates the all user cards are deleted. press the button * to return to the setting mode, follow the button * to return to the standby mode.

Change the administration password

Enter the setting mode. Press the button “ 8 ” in the mean time a tone “Di” will be heard, input the 4-digit new password , then press the # button. When hearing a tone “Di” , repeat the new password and the button # to confirm in the mean time two tones “DiDi” will be heard,. If the continuously voice are heard, repeat again this operation as above till the two tones “DiDi” is heard.

set the delay time for door unlocking

Enter the setting mode. Press the button “ 4 ” in the mean time a tone “Di” will be heard ,input the unlocking delay time (01to 99 are available),press the button * to return to the setting mode, follow the button * to return to the standby mode.

Set the building and entrance

Enter the setting mode. Press the button “ 3 ” in the mean time a tone “Di” will be heard ,input the building number (XXXX) and entrance number(XX),press the button # to confirm. press the button * to return to the setting mode, follow the button * to return to the standby mode.