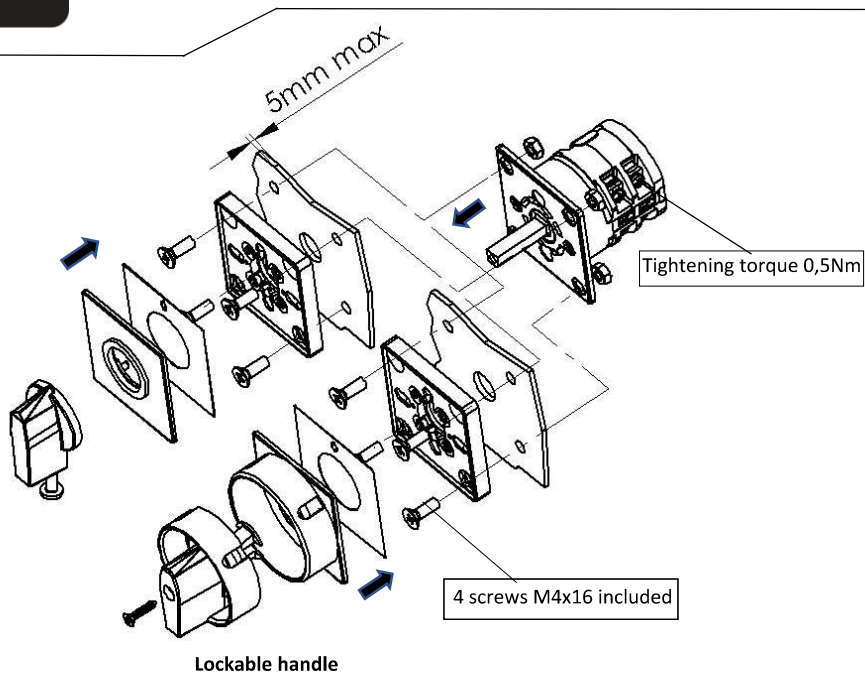
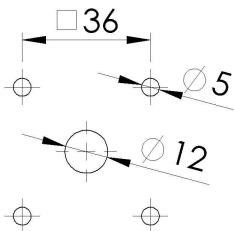


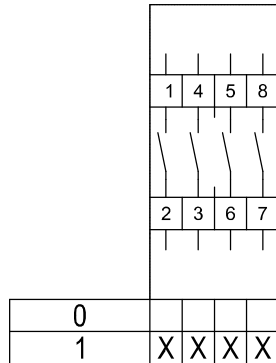
CAM SWITCH

Installation

Drilling plan
Front panel

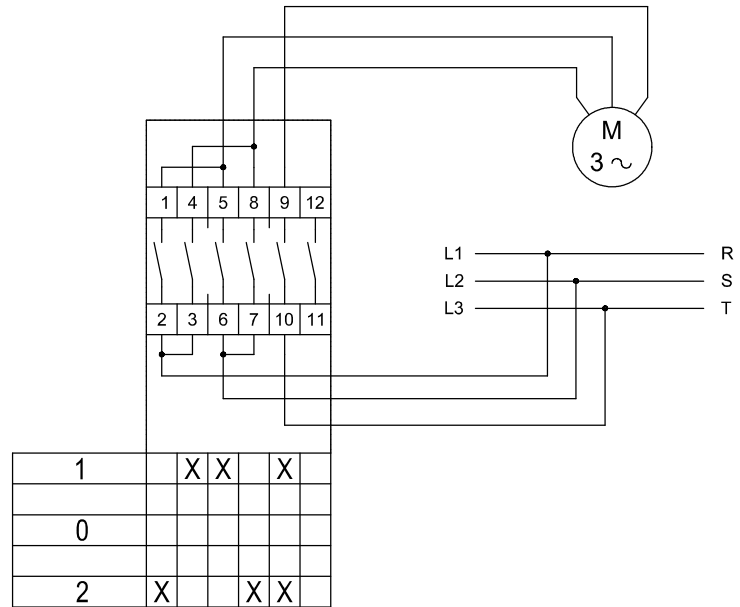


SWITCHES WITH 90° SWITCHING



208-3905, 208-3924, 208-3925 —
 208-3926 —
 208-3927, 208-3929 —
 208-3930, 208-3931 —

MOTOR REVERSING SWITCHES



208-3908