



Datasheet

RS PRO High-Performance HMI. 10.2 inch, 1024x600 TFT LCD. 16k Colours. Ethernet.

Stock No: 215-6606



Technical Specifications:

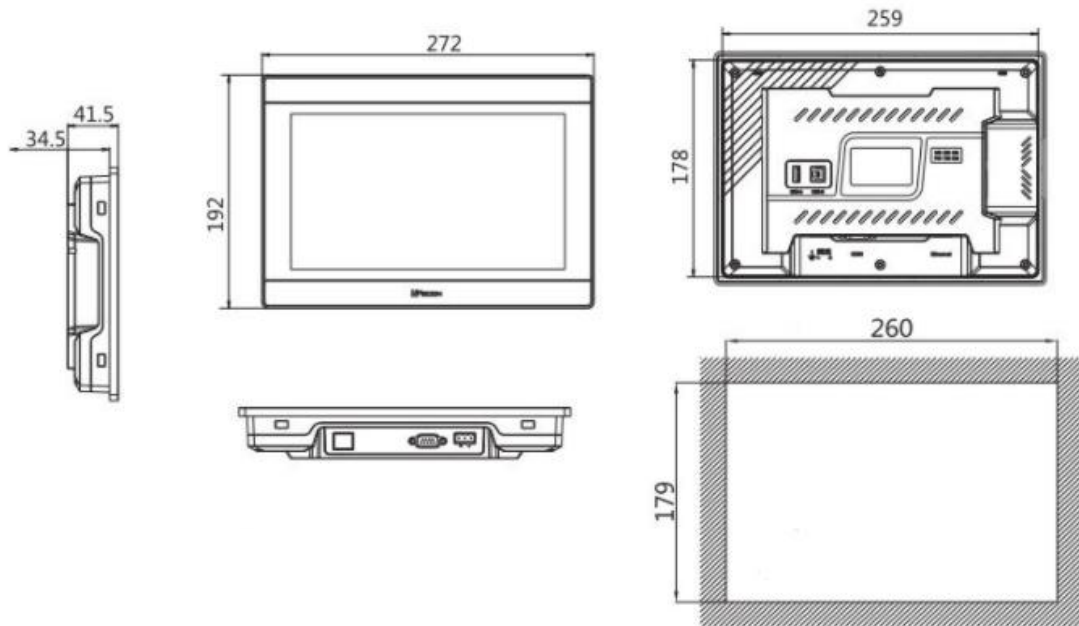
Hardware:	Cortex A7 528MHz CPU 128M DDRIII RAM + 128M Flash
Resolution:	1024x600 TFT LCD 16,000 Colours
Storage:	Support Data Storage U Disk
Interface:	COM 1:RS485/RS422. COM2 RS232, Ethernet USB Host + USB Client. Type A & B
Dimensions:	Bezel; 272.0 x 192.0 x 41.5 Cut-out; 260.0 x 179.0.

Features & Benefits:

- Cortex A7 CPU
- Ethernet
- High Grade picture quality
- Fast screen update & switching
- High Communication stability

Dimensional line drawings

Unit: mm, error range +/-0/5mm



Quality Standards

CE
RoHS

General

Model			
General	Screen Size	10.2 Inch	
	Resolution	1204*800	
	Colors	16,000k colors	
	Brightness	350cd/m ²	
	Backlight Type	LED	
	Touch Screen	High precision four-wire resistive	
	Backlight Life Time	50,000 hours	
	CPU	Cortex A7 528MHz	
	Storage	128M FLASH + 128M DDRAM	
	USB Port	USB host + USB Client	
	Ethernet Port	YES	
	COM	COM1	RS422/RS485
		COM2	RS232
Power	Power	<10w	
	Power Supply	DC 24V (12~28V DC)	
Dimension	Shell	PC+ABS8	
	Dimension (mm)	272.0W*192.0H*41.5D	
	Mounting size (mm)	260.0W*179.0H	
	Net/Gross (KG)	1.00/1.31	
Operate Environment	Temperature	Working Temperature : -10~80°C ; Storage Temperature : -20~70°C	
	Humidity	10-85%RH (Non-condensing)	
	Seismic Resistance		IEC61131-2 standard
			Continuous vibration occasion: 10Hz~57Hz 0.07 5mm, 57Hz~150Hz 9.8m/s ²
	Cooling	Discontinuous vibration: 10Hz~57Hz 0.035mm, 57Hz~150Hz 4.9m/s ² X, Y, Z in 10 directions each (80 minutes)	
Protection		Air cooling	
Protection		IP65 (Front panel)	
CE		CE Marked	
FCC		FCC Class A	