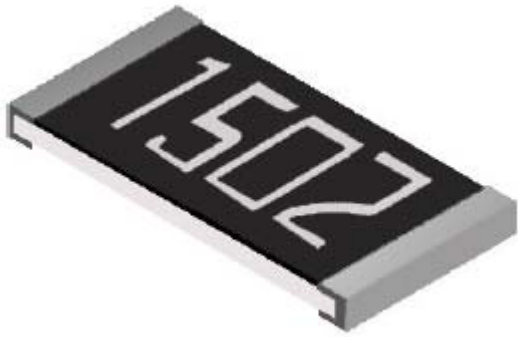


Thick Film Chip Resistor

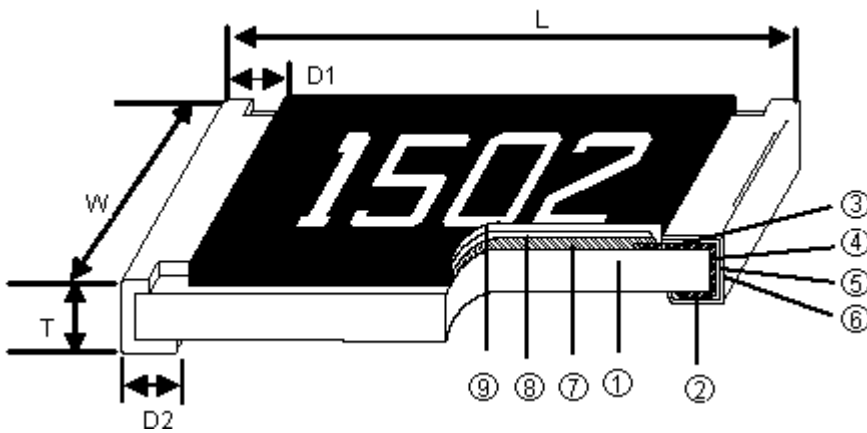


Features:

- Small size and light weight.
- Highly reliable multilayer electrode construction.
- Compatible with all soldering process.



Construction



1	Alumina Substrate
2	Bottom Electrode (Ag-Pd)
3	Top Electrode (Ag)
4	Edge Electrode (NiCr)
5	Barrier Layer (Ni)
6	External Electrode (Sn)
7	Resistor Layer (RuO ₂ /Ag)
8	Primary Overcoat (Glass)
9	Secondary Overcoat (Epoxy)

Thick Film Chip Resistor



Applications:

Telecommunication equipments.
 Radio and tape recorders, TV tuners.
 Video cameras, watches, pocket calculators.
 Automotive industry.
 Computers, instruments.
 Medical and military equipment.

Dimensions

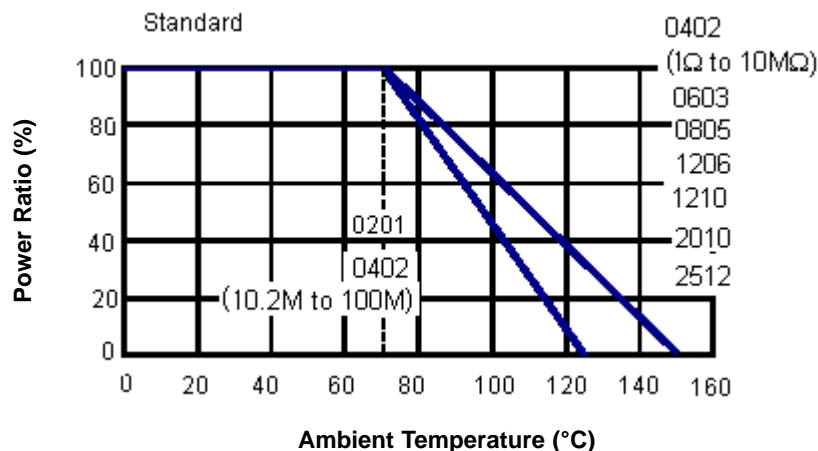
Unit: mm

Size (Inch)	L	W	T	D1	D2	Weight (g) (1000 pcs)
0201	0.60 ±0.03	0.30 ±0.03	0.23 ±0.03	0.15 ±0.05	0.15 ±0.05	0.150
0402	1.00 ±0.05	0.50 ±0.05	0.35 ±0.05	0.20 ±0.10	0.20 ±0.10	0.620
0603	1.60 ±0.10	0.80 ±0.10	0.45 ±0.10	0.30 ±0.20	0.30 ±0.20	2.042
0805	2.00 ±0.10	1.25 ±0.10	0.50 ±0.10	0.35 ±0.20	0.40 ±0.20	4.368
1206	3.10 ±0.10	1.55 ±0.10	0.55 ±0.10	0.50 ±0.25	0.50 ±0.20	8.947
1210	3.20 ±0.20	2.60 ±0.15	0.55 ±0.10	0.50 ±0.25	0.50 ±0.20	15.959
2010	5.00 ±0.20	2.50 ±0.15	0.55 ±0.10	0.60 ±0.25	0.50 ±0.20	24.241
2512	6.35 ±0.20	3.20 ±0.15	0.55 ±0.10	0.60 ±0.25	0.50 ±0.20	39.448

Part Number Explanation:

MC	0201	L6	F	8201	SE
	Dimensions (L x W)		Resistance Tolerance	Resistance	
	0201		F: ±1%	3 Significant Digits	
	0402		J: ±5%		
	0603			Last digit represents The number of zeroes to follow.	
	0805				
	1206				
	1210			R = Decimal Point	
	2010			3573 = 357 kohm	
	2512			86R2 = 86.2 ohm	
				5600 = 560 ohm	

Derating Curve



Thick Film Chip Resistor



Standard Electrical Specifications

Item Type	Power Rating at 70°C Jumper Rated Current	Operating Temperature Range	Maximum Operating Voltage	Maximum Overload Voltage	Resistance Range		TCR (PPM/°C)
					±1%	±5%	
0201	1/20W	-55 to +125°C	25V	50V	1Ω to 1MΩ		±200
Jumper	1A				0Ω (<50mΩ)		-
0402	1/16W	-55 to +155°C	50V	100V	1Ω to 9.76Ω 10Ω to 1MΩ 1.02MΩ to 10MΩ		±200 ±100 ±200
		-55 to +125°C			10.2MΩ to 20MΩ 20.5MΩ to 100MΩ		±200 ±400
Jumper	1A	-55 to +155°C			0Ω (<50mΩ)		-
0603	1/10W	-55 to +155°C	50V	100V	1Ω to 9.76Ω 10Ω to 1MΩ 1.02MΩ to 20MΩ 20.5MΩ to 100MΩ		±200 ±100 ±200 ±400
Jumper	1A				0Ω (<50mΩ)		-
0805	1/8W	-55 to +155°C	150V	300V	1Ω to 9.76Ω 10Ω to 1MΩ 1.02MΩ to 20MΩ 20.5MΩ to 100MΩ		±200 ±100 ±200 ±400
1206	1/4W		200V	400V	0Ω (<50mΩ)		-
Jumper	2A						
1210	1/3W	-55 to +155°C	200V	400V	1Ω to 9.76Ω 10Ω to 1MΩ 1.02MΩ to 20MΩ 20.5MΩ to 39MΩ		±200 ±100 ±200 ±400
Jumper	2.5A				0Ω (<50mΩ)		-
2010	3/4W	-55 to +155°C	200V	400V	1Ω to 9.76Ω 10Ω to 1MΩ 1.02MΩ to 20MΩ 20.5MΩ to 100MΩ		±200 ±100 ±200 ±400
Jumper	3.5A				0Ω (<50mΩ)		-
2512	1W	-55 to +155°C	250V	500V	1Ω to 9.76Ω 10Ω to 1MΩ 1.02MΩ to 20MΩ 20.5MΩ to 100MΩ		±200 ±100 ±200 ±400
Jumper	4A				0Ω (<50mΩ)		-

Thick Film Chip Resistor



Environmental Characteristics

Item	Requirement			Test Method
	±1% and Below	±5%	Jumper	
Temperature Coefficient of Resistance (TCR)	As specification			-55°C to +125/+155°C, 25°C is the reference temperature
Short Time Overload	±(1.0% +0.05Ω)	±(2.0% +0.05Ω)	<50mΩ	RCWV* 2.5 or Maximum overload voltage for 5 seconds, 2 seconds for high power series
Insulation Resistance	≥10G			Maximum overload voltage for 1 minute
Endurance	±(2.0% +0.10Ω)	±(3.0% +0.10Ω)	<100mΩ	70 ±2°C, Maximum working voltage for 1000 hours with 1.5 hours "ON" and 0.5 hours "OFF"
Damp Heat with Load	±(2.0% +0.10Ω)	±(3.0% +0.10Ω)		40±2°C, 90 to 95% R.H. Maximum working voltage for 1000 hours with 1.5 hours "ON" and 0.5 hours "OFF"
Dry Heat	±(1.0% +0.05Ω)	±(1.5% +0.10Ω)	<50mΩ	at +125/+155°C for 1000 hours
Bending Strength	±(1.0% +0.05Ω)	±(1.0% +0.05Ω)		Bending once for 5 seconds 2010, 2512 sizes: 2mm Other sizes: 3mm
Solderability	95% Minimum Coverage			245 ±5°C for 3 seconds
Resistance to Soldering Heat	±(0.5% + 0.05Ω)	±(1.0% + 0.05Ω)	<50mΩ	260 ±5°C for 10 seconds
Voltage Proof	No breakdown or flashover			1.42 times RCWV (RMS) for 1 minute
Leaching	Individual leaching area ≤5% Total leaching area ≤10%			260 ±5°C for 30 seconds
Rapid Change of temperature	±(0.5% +0.05Ω)	±(1.0% +0.05Ω)	<50mΩ	-55°C to +125/+155°C, 5 cycles

Storage temperature : 25±3°C; Humidity <80%RH.

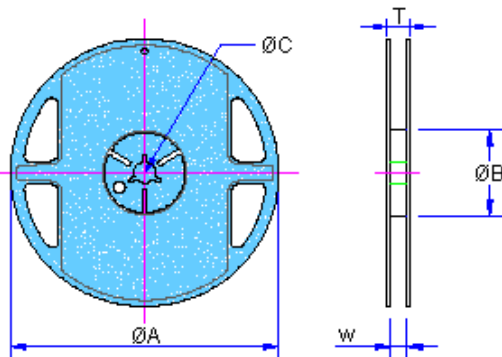
Thick Film Chip Resistor



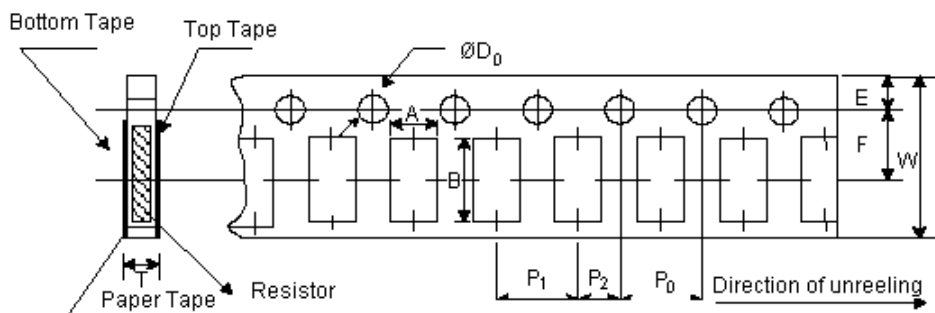
Packaging (Reel specifications and packaging quantity)

Size (Inch)	Packaging Quantity		Tape Width	Reel Diameter	ØA	ØB	ØC	W	T
0201	Paper	15K	8 mm	7 inch	178.5±1.5	60 ^{+1/-0}	13.0±0.2	9.0±0.5	12.5±0.5
0201 0402	Paper	10K	8 mm	7 inch	178.5±1.5	60 ^{+1/-0}	13.0±0.2	9.0±0.5	12.5±0.5
		20K							
		40K		10 inch	254±1	100±0.5	13.0±0.2	9.5±0.5	13.5±0.5
0603 0805 1206 1210	Paper	5K	8 mm	13 inch	330±1	100±0.5	13.0±0.2	9.5±0.5	13.5±0.5
		10K							
		20K							
2010 2512	Embossed	4K	12 mm	7 inch	178.5±1.5	60 ^{+1/-0}	13.0±0.5	13.0±0.5	15.5±0.5
		8K		10 inch	250±1	62±0.5	13.0±0.5	12.5±0.5	16.5±0.5

Dimensions : Millimetres (Inches)



Paper tape specifications



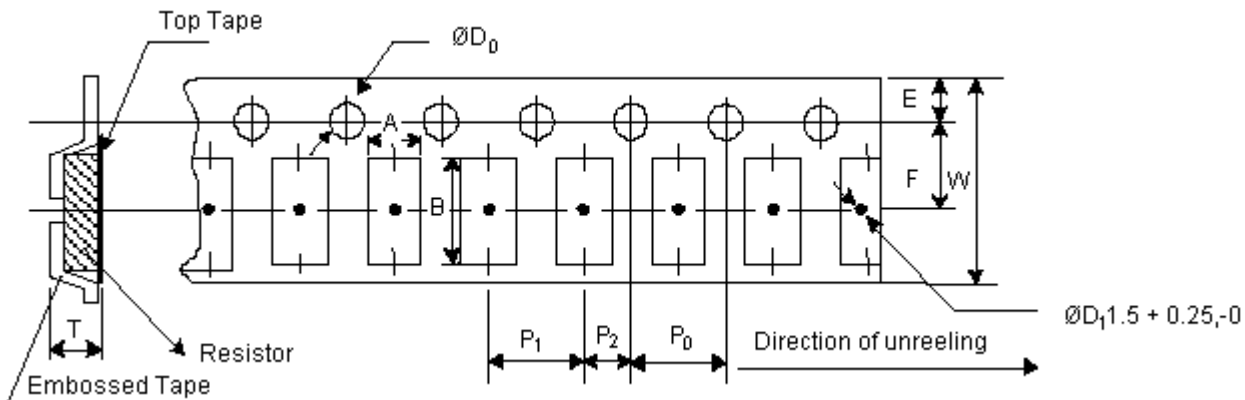
Size (Inch)	A	B	W	E	F	P ₀	P ₁	P ₂	ØD ₀	T
0201	0.38±0.05	0.68±0.05	8.0±0.2	1.75±0.1	3.50±0.05	4.00±0.10	2.00±0.05	2.00±0.05	1.50+0.1,-0	0.42±0.2
0402	0.65±0.10	1.15±0.1	8.0±0.2	1.75±0.1	3.50±0.05	4.00±0.10	2.00±0.05	2.00±0.05	1.50+0.1,-0	0.45±0.1
0603	1.10±0.10	1.90±0.1	8.0±0.2	1.75±0.1	3.50±0.05	4.00±0.10	4.00±0.05	2.00±0.05	1.50+0.1,-0	0.70±0.1
0805	1.60±0.10	2.40±0.2	8.0±0.2	1.75±0.1	3.50±0.05	4.00±0.10	4.00±0.05	2.00±0.05	1.50+0.1,-0	0.85±0.1
1206	1.90±0.10	3.50±0.2	8.0±0.2	1.75±0.1	3.50±0.05	4.00±0.10	4.00±0.05	2.00±0.05	1.50+0.1,-0	0.85±0.1
1210	2.80±0.10	3.50±0.2	8.0±0.2	1.75±0.1	3.50±0.05	4.00±0.10	4.00±0.05	2.00±0.05	1.50+0.1,-0	0.85±0.1

Dimensions : Millimetres

Thick Film Chip Resistor



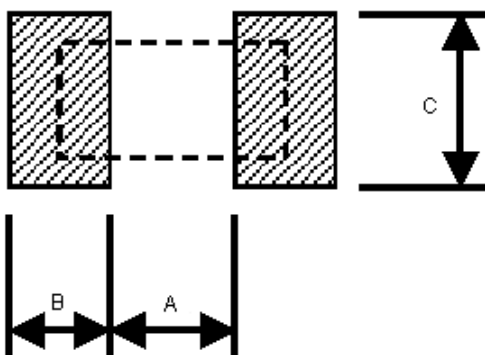
Embossed Plastic Tape Specifications



Size (Inch)	A	B	W	E	F	P ₀	P ₁	P ₂	ØD ₀	T
2010	2.8±0.20	5.5±0.20	12.0±0.3	1.75±0.1	5.5±0.05	4.00±0.10	4.00±0.1	2.00±0.05	1.50+0.1, -0	1.2 ⁺⁰
2512	3.5±0.20	6.7±0.20	12.0±0.3	1.75±0.1	5.5±0.05	4.00±0.10	4.00±0.1	2.00±0.05	1.50+0.1, -0	1.2 ⁺⁰

Dimensions : Millimetres

Recommend Land Pattern



Size (Inch)	A	B	C
0201	0.30	0.25	0.30
0402	0.50	0.45	0.60
0603	0.90	0.60	0.90
0805	1.20	0.70	1.30
1206	2.00	0.90	1.60
1210	2.00	0.90	2.80
2010	3.80	0.90	2.80
2512	3.80	1.60	3.50

Disclaimer This data sheet and its contents (the "Information") belong to the Premier Farnell Group (the "Group") or are licensed to it. No licence is granted for the use of it other than for information purposes in connection with the products to which it relates. No licence of any intellectual property rights is granted. The Information is subject to change without notice and replaces all data sheets previously supplied. The Information supplied is believed to be accurate but the Group assumes no responsibility for its accuracy or completeness, any error in or omission from it or for any use made of it. Users of this data sheet should check for themselves the Information and the suitability of the products for their purpose and not make any assumptions based on information included or omitted. Liability for loss or damage resulting from any reliance on the Information or use of it (including liability resulting from negligence or where the Group was aware of the possibility of such loss or damage arising) is excluded. This will not operate to limit or restrict the Group's liability for death or personal injury resulting from its negligence. SPC Multicomp is the registered trademark of the Group. © Premier Farnell plc 2011.

<http://www.farnell.com>
<http://www.newark.com>
<http://www.cpc.co.uk>

