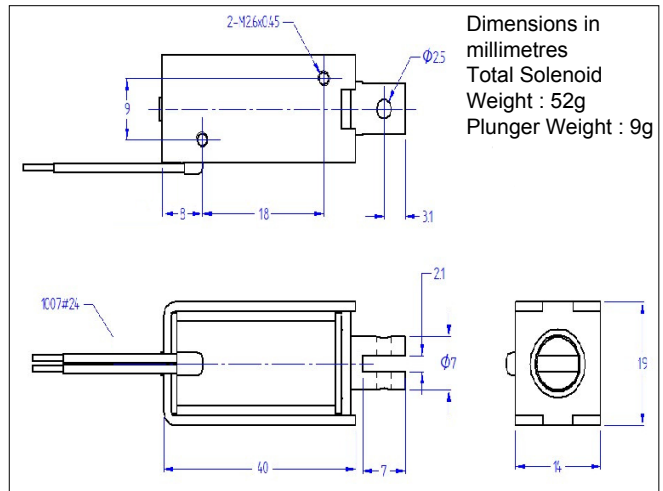


Datasheet

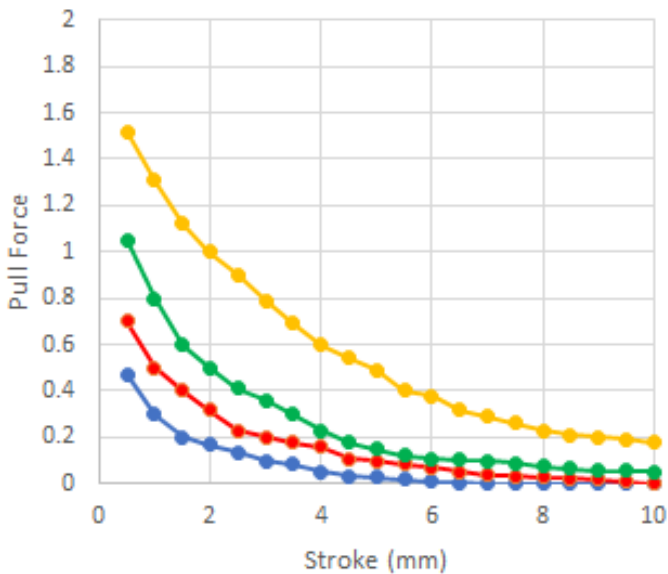
RS Article: 177 - 0115

DC – D Frame Solenoid 12V



Specifications:

Features:



- 0-2.2Kg 40W 10%
- 0-1.8Kg 16W 25%
- 0-1.6Kg 8W 50%
- 0-1.45Kg 4W 100%

- Pull type
- Flying leads
- Corrosion resistant plated parts