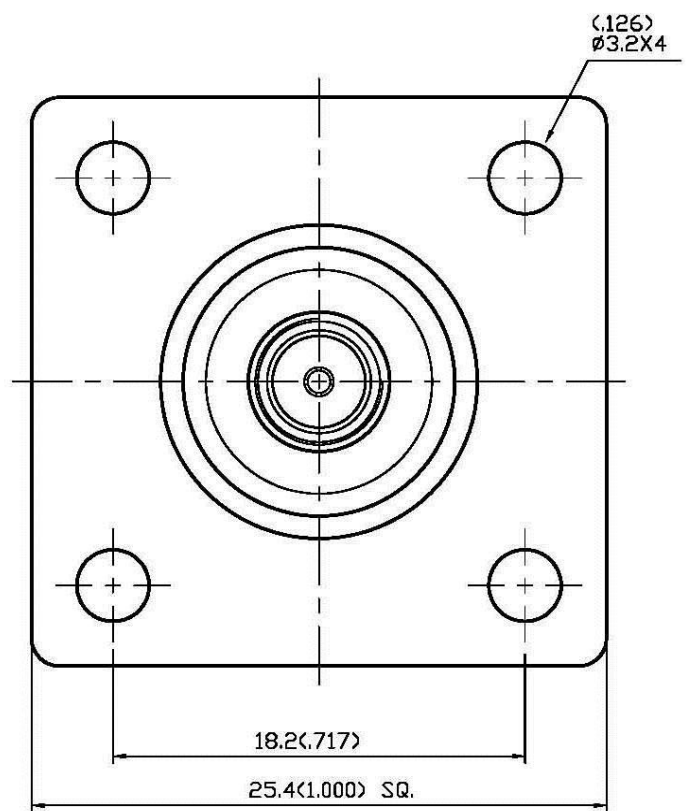
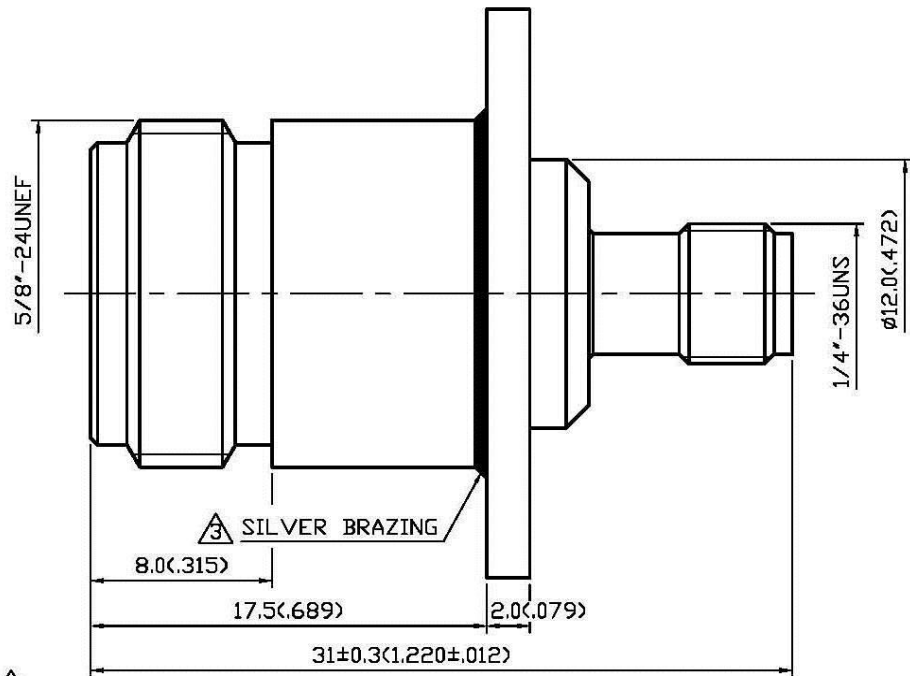


NO	DESCRIPTION	DATE
⚠	BACKGROUND FORMAT UPDATED	07.02.02
⚠	BACKGROUND FORMAT UPDATED	09.08.08
⚠	WORKING VOLTAGE → VOLTAGE RATING DEL. PROOF VOLTAGE SOFT SOLDER → SILVER BRAZING	04.08.14



**1.0 ELECTRICAL**

- 1.1 FREQUENCY RANGE: DC-11 GHz
- 1.2 NOMINAL IMPEDANCE: 50 OHMS
- 1.3 VOLTAGE RATING: 500 VOLTS MAX. ⚠
- 1.4 VSWR: 1.3 MAX.

**2.0 MATERIALS**

- 2.1 BODIES: BRASS PER JIS-C3604
- 2.2 CENTER CONTACT: BERYLLIUM COPPER PER ASTM B196 UNS C17300
- 2.3 INSULATION: TEFLON PER ASTM D1457 AND ASTM D1710
- 2.4 SQUARE FLANGE: BRASS PER JIS-C2680

**3.0 FINISHES AND OTHERS**

3.1 SEE BELOW TABLE FOR DETAILS.

**4.0 MECHANICAL**

4.1 INTERFACE IN ACCORDANCE WITH: MIL-STD-348A

**5.0 ENVIRONMENTAL**

5.1 OPERATING TEMPERATURE RANGE: -65° C TO +165° C

APPROVED by \_\_\_\_\_ DATE: \_\_\_\_\_

NO	DESCRIPTION	MATERIAL	Q'TY	FINISH
5	CHASSIS	BRASS	1	NICKEL 100μ" MIN.
4	SQUARE FLANGE	BRASS	1	NICKEL 100μ" MIN.
3	CENTER CONTACT	BERYLLIUM COPPER	1	GOLD 50μ" MIN.
2	INSULATION	TEFLON	1	NONE
1	BODY	BRASS	1	NICKEL 100μ" MIN.



DESCRIPTION		STRAIGHT SMA JACK-N JACK SQUARE FLANGE ADAPTER							
製圖	DRAWN	TOLERANCE	品名	19-61	T.G.N	日期	DATE	版次	REV.
	Yoko								
檢圖	CHECK	UNIT	單位	DWG.NO.	19-0166				
	Arc					.XX	±0.1	mm(in)	
認定	APPROVAL	SCALE	比例						
	Angela			.XXX	±0.05	4:1			
		ANGLE	±5°						