



ENGLISH

RS PRO Norgren Guardian 49 Series B49G - General Purpose Filters/Regulators



- > **Port size:**
1/8 ... 1/2" (ISO G)
- > **Design allows in-line installation or modular installation with other 49 Series products.**
- > **Integrated gauge**
reduces mounting time
- > **Push to lock adjusting knob**

Technical features

Medium:

Compress air only, filtered to better than 40 µm

Maximum operating pressure:

10 bar (145 psi)

Pressure range:

0,5 ... 8,5 bar (7,25 ... 123 psi)

Flow:

63.4 l/s max., at port size 1/2", 10 bar inlet pressure, pressure set at 6,3 bar and 1 bar pressure drop from set.

Filter element:

5 µm (Standard)
40 µm

Port size:

G1/8, G1/4, G3/8, G1/2

Drain type:

Manual, Semi automatic, Automatic

Ambient/Media temperature:

0 ... +60°C (+32 ... +140°F)
Air supply must be dry enough to avoid ice formation at temperatures below +2°C (+35°F).

Materials:

G1/8 & G1/4 Body: Polyamide
G3/8 & G1/2 Body: Die casting Aluminum
Bowl: Transparent PC
Bowl cover: Polyamide
Bonnet: Polyamide
Elastomers: Nitrile
Main valve: Brass

Technical data - standard models

Symbol	Port size	Flow Rate (l/s)	Weight (kg)	Bowl	Model		
					Automatic	Semi automatic	Manual
	G1/8	10	0,20	Transparent without guard	-		
	G1/4	15	0,20	Transparent without guard	-		
	G3/8	25	0,64	Transparent with guard			
	G1/2	50	0,64	Transparent with guard			

Option selector

B49G-★K-★-★-RL★

Port size	Substitute
1/8"	1
1/4"	2
3/8"	3
1/2"	4
Thread form	Substitute
ISO G	G

Gauge	Substitute
Single scale gauge (bar)	G
Dual scale gauge (bar/MPa)	M
Filter element	Substitute
5 µm (Standard)	1
40 µm	3
Bowl	Substitute
Transparent without guard *2)	T
Transparent with guard *3)	W
Drain	Substitute
Semi automatic drain	S
Manual drain	M
Automatic drain *3)	A

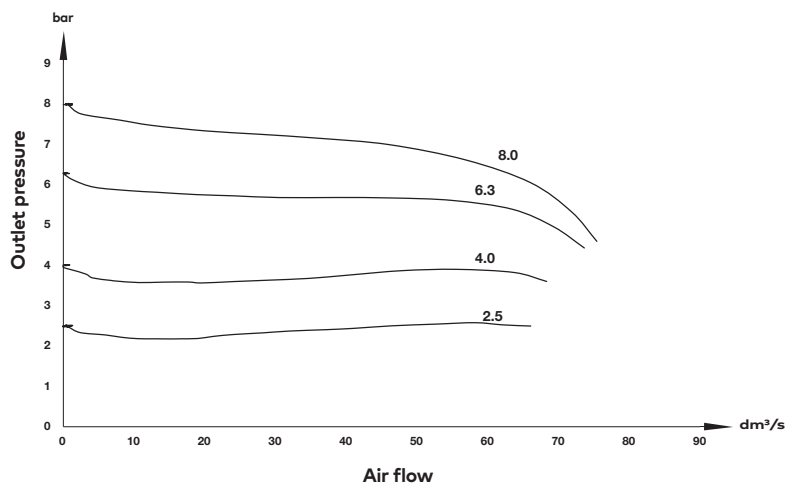
*1) Outlet pressure can be adjusted in excess of and less than those specified. Do not use these units to control pressures outside of the specified ranges.

*2) For G1/8 & G1/4 only





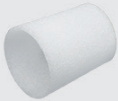
*3) For G3/8 & G1/2 only

Flow characteristics

Element 5 μm
 Port size 1/2"
 Inlet pressure 10 bar



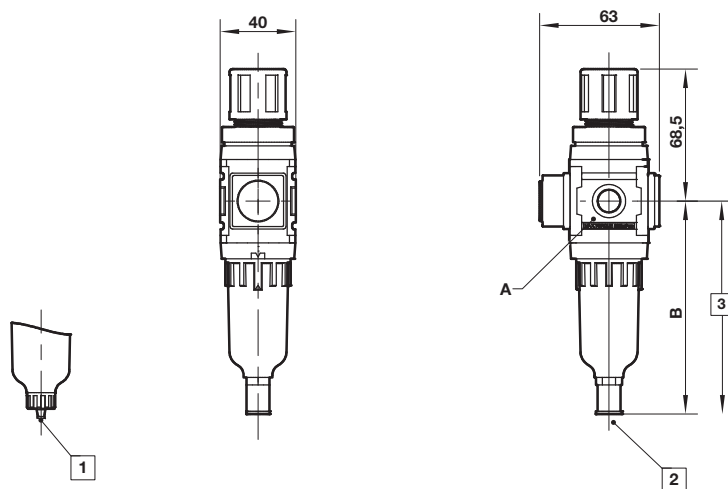
Accessories

	L Bracket	C Bracket	T Bracket *1)	Gauge	Element
					
Port size	Page 4	Page 4	Page 4	Page 5	
G1/8 & G1/4	49B-011	49B-021	49B-031	49B-GS01 (bar) 49B-GS03 (bar/MPa)	49B-E11 (5 μm element) 49B-E13 (40 μm element)
G3/8 & G1/2	49B-012	49B-022	49B-032	49B-GS02 (bar) 49B-GS04 (bar/MPa)	49B-E21 (5 μm element) 49B-E23 (40 μm element)

1) T Bracket can be used only when two or more parts of the same port size, or with other 49 Series FRL products are connected

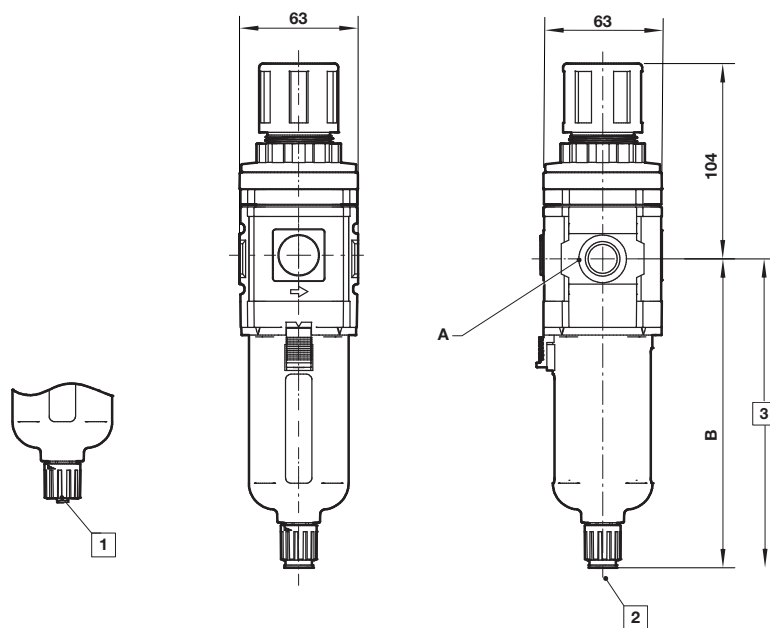
Dimensions G1/8 & G1/4

Dimensions in mm
Projection/Third angle



- 1 Manual drain can insert ID \varnothing 4 PU tube at drain outlet.
- 2 Semi-auto drain can insert OD \varnothing 6 PU tube at drain outlet.
- 3 The minimum distance is 206 mm to remove the bowl for replacing filter element.

G3/8 & G1/2



- 1 Manual drain or automatic drain can insert ID \varnothing 5,5 PU tube at drain outlet.
- 2 Semi-auto drain can insert OD \varnothing 8 PU tube at drain outlet.
- 3 The minimum distance is 206 mm to remove the bowl for replacing filter element.

Port size (A)	B	Model
G1/8	113,5	
G1/8	105,5	
G1/4	113,5	
G1/4	105,5	
G3/8	158	
G3/8	157	
G3/8	157	
G1/2	158	
G1/2	157	
G1/2	157	

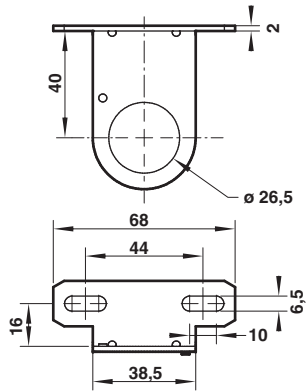
Accessories

Dimensions in mm
Projection/Third angle



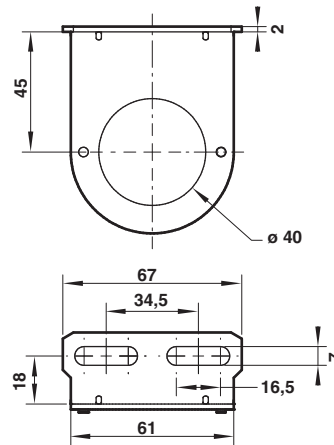
L Bracket

49B-011



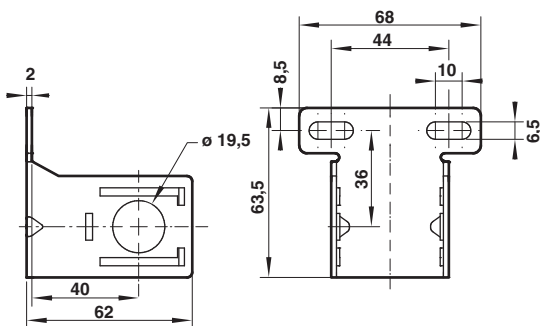
L Bracket

49B-012



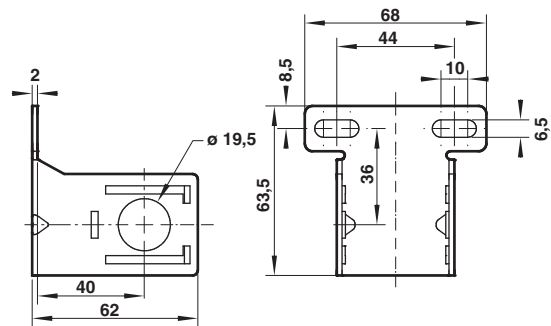
C Bracket

49B-021



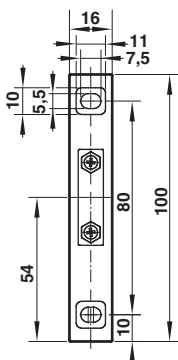
C Bracket

49B-022



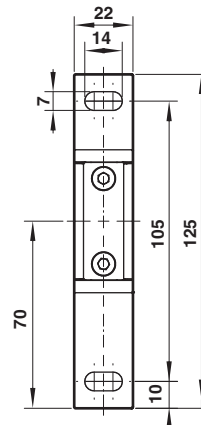
T Bracket

49B-031



T Bracket

49B-032



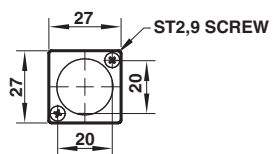
Accessories

Dimensions in mm
Projection/Third angle



Gauge

49B-GS01



Gauge

49B-GS02

