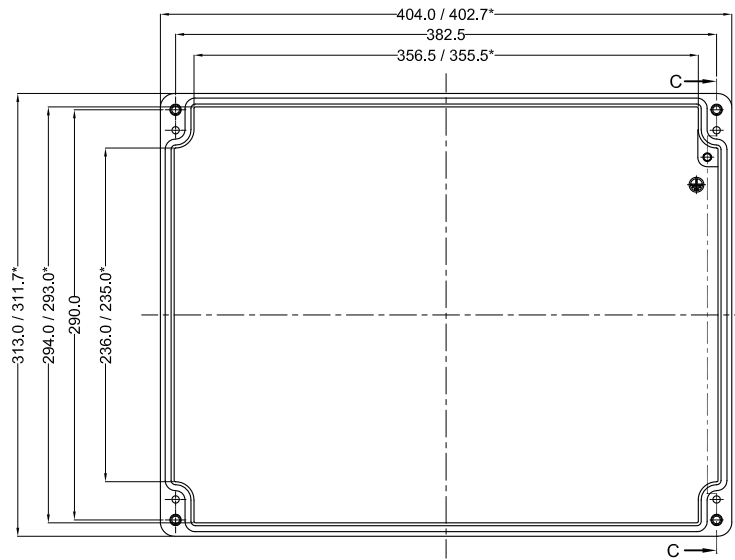
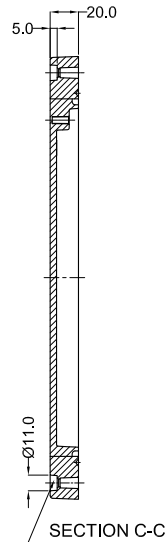


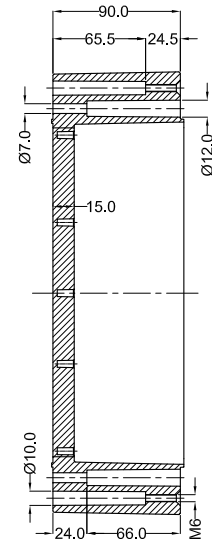
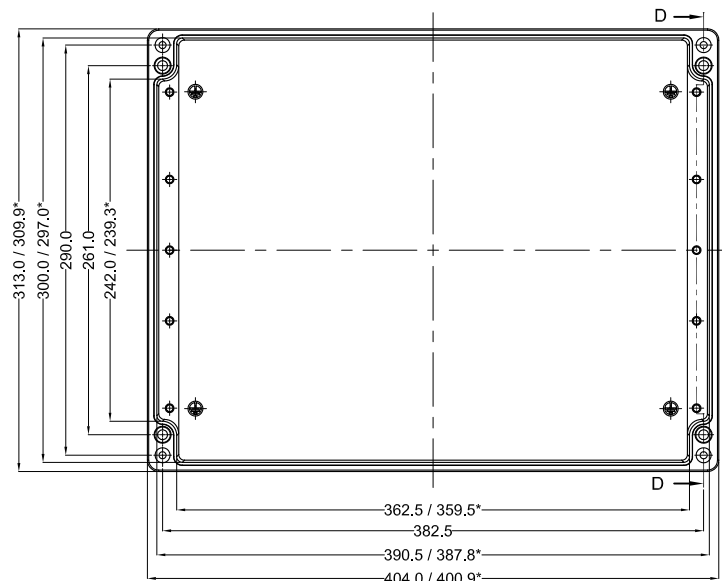
LID



Cylinder Screw
M6 x 25/10 similar to DIN 84

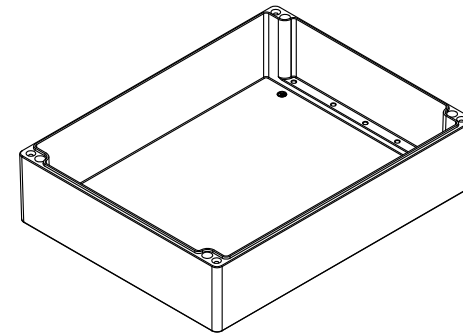
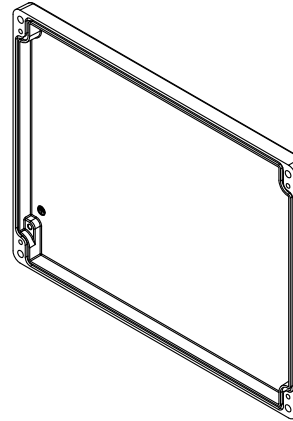


BASE



SECTION D-D

* = Conical form tapering downward.
Untoleranced dimensions per GTA 13/5 DIN 1688



OPTIONAL ACCESSORIES

PART NAME	QTY.	AVILABILITY
MOUNTING PLATE	1	Y
EXTERNAL HINGE	2	Y
INTERNAL HINGE	2	Y
MOUNTING BRACKETS	4	Y
NEOPRENE/SILICON GASKET	1	Y
DIN RAIL TS15	-	N
DIN RAIL TS35	1	Y



QUANTITY	MATERIAL :-	MACH.NAME	DATE	SIGN	NAME	
-	Alsi 12	-	15/01/14		RRPL DESIGN	
	Din230		15/01/14		MANOJ DRAWN	
	WEIGHT :	FINISH :	TITLE :-			
TOLERANCE	-	NATURAL	JUNCTION BOX			
±0.2	DIMENSIONS		400 x 310 x 110			
±0.2	HOLES					
±1.0°	ANGLES					
	ALL DIMINSON ARE IN MM					
	Rd - 31					
			SCALE			