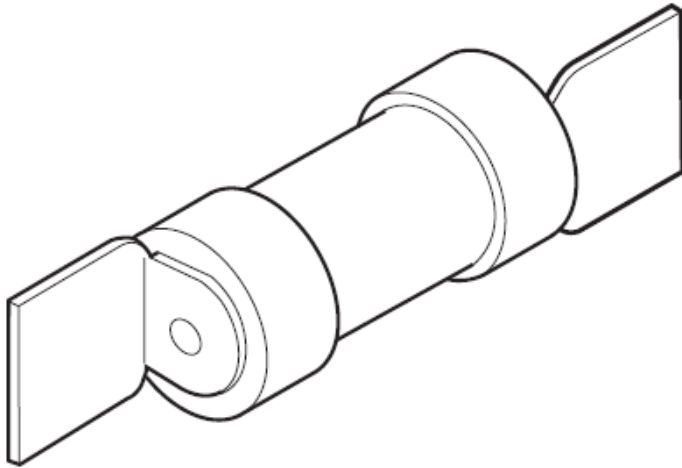


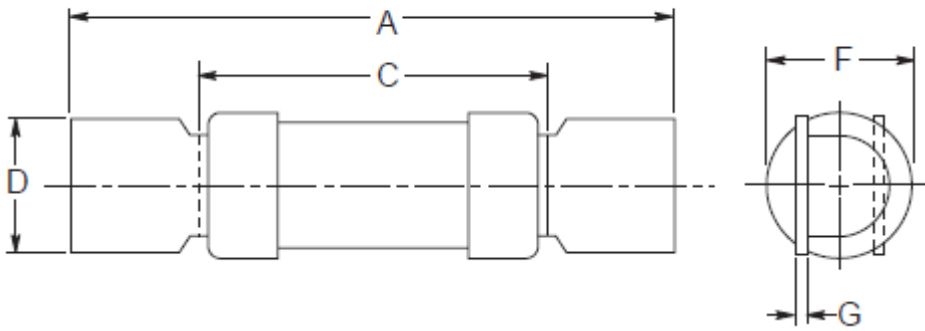
# Datasheet

## Industrial HRC Fuse

RS Stock number 521-2854



### Dimensional Data:



Dimensions - mm

| S/N      | Amp Rating | Pre-arcing | Total @ 415V | Watts Loss | Rated Voltage (AC) | A    | C    | D    | F    | G   |
|----------|------------|------------|--------------|------------|--------------------|------|------|------|------|-----|
| 521-2810 | 2          | 0.8        | 1            | 0.5        | 240                | 47.0 | 23.0 | 12.7 | 12.0 | 0.8 |
| 521-2832 | 4          | 5.4        | 8            | 1          | 240                | 47.0 | 23.0 | 12.7 | 12.0 | 0.8 |
| 521-2848 | 6          | 15         | 22           | 1.6        | 240                | 47.0 | 23.0 | 12.7 | 12.0 | 0.8 |
| 521-2854 | 10         | 28         | 42           | 1.2        | 240                | 47.0 | 23.0 | 12.7 | 12.0 | 0.8 |
| 521-2860 | 16         | 160        | 250          | 1.5        | 240                | 47.0 | 23.0 | 12.7 | 12.0 | 0.8 |
| 521-2876 | 20         | 293        | 450          | 1.7        | 240                | 47.0 | 23.0 | 12.7 | 12.0 | 0.8 |

Time-Current Characteristic Curve (Full Size Curves Available)

