

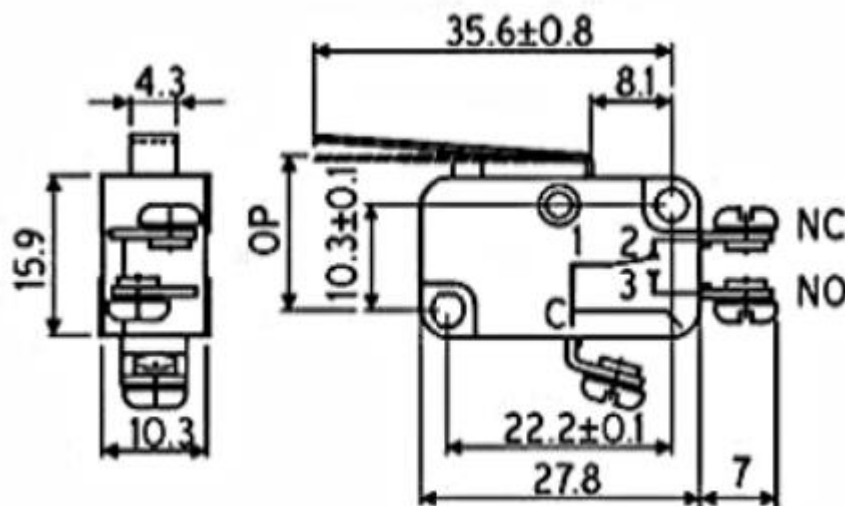
## Datasheet

# SPDT Long Straight Lever Microswitch, 0.1 A@ 110 V dc, 0.6 A@ 110 V dc, 16 A@ 250 V ac

RS Stock 804-6196



### Dimensions: (mm)



## Specifications

Characteristics	
Operating Position	15.2 ± 1.2 mm
Pre – travel	4.0 mm (max)
Over – travel	1.6 mm
Movement differential	1.5 mm (max)

Technical Data	
Contact resistance	15 milliohms (max)
Insulation resistance	1000 megaohms (min)
Voltage proof	1500VAC between each terminal and 100VAC between open contacts
Electrical life	100,000 operations
Mechanical life	10,000,000 operations

Electrical Rating	
Load	Rating
AC	16Amp at 250V 5Amp at 440V
DC	0.6Amp at 110V 0.3 Amp at 220V
DC	0.1 Amp at 110V 0.05 Amp at 220V

**Temperature: -55°C to + 85°C**

### Applications

- Automotive, Machine Control, Telecommunication Equipment's, Vending Equipment's, Security Products, Defence, Business Automation Machines, Instruments.