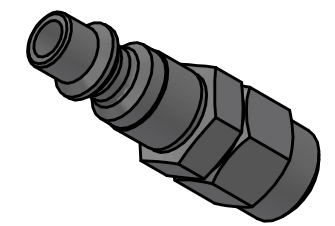
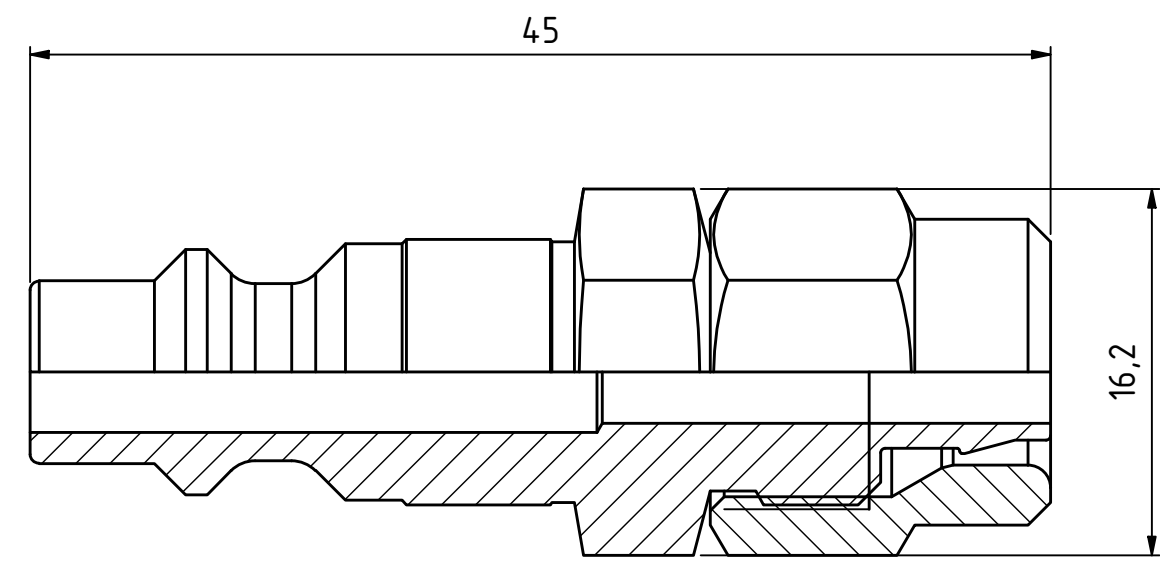


This document must not be copied, either completely or in part, without permission. Any infringement will have legal consequences ©




1 : 1



* WP/BP is valid with CEJN non-braided hose

Product No.	103105058
Nominal flow Ø DN:	4,5 mm
Connection Stroke:	mm
Max WP Connected:	10 bar *
Min BP Connected:	25 bar *
Temperature range:	-20°C - +100°C
Connection:	Stream-line 5x8
Sealing material:	
Hexagon:	14 (2x)

2	1	Swivel nut	Steel, Zn 8 Silver
1	1	Nipple body	Hard. steel, Zn 8 Silver
Item	Qty	Description	Material
		Scale: 3 : 1	Drawn: CABANLA
		Checked: JOTU	Appr.: JOOL
		ECO: 12833	Date: 2020-03-20
 Assembly Drawing			Drawing No. 103105058
			Issue: B
			Sheet: 1 / (1)

