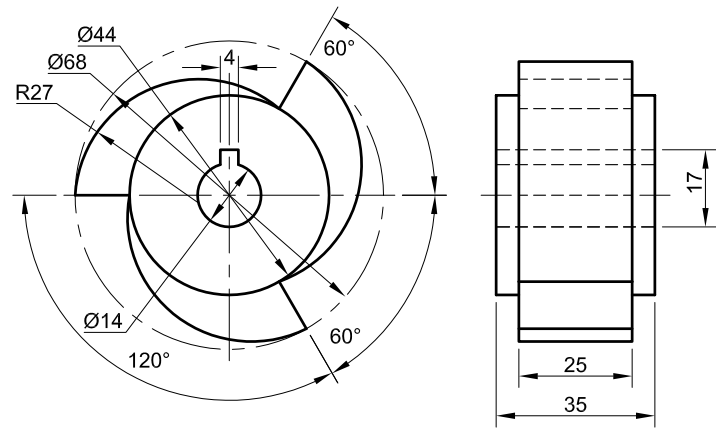
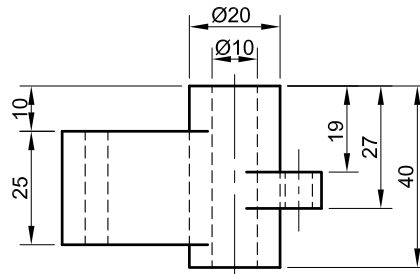


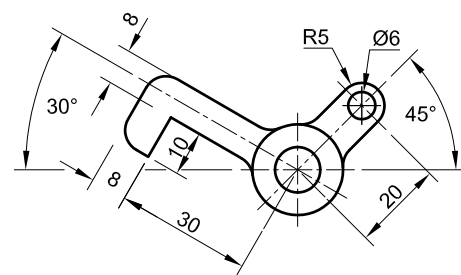
BASE [2]



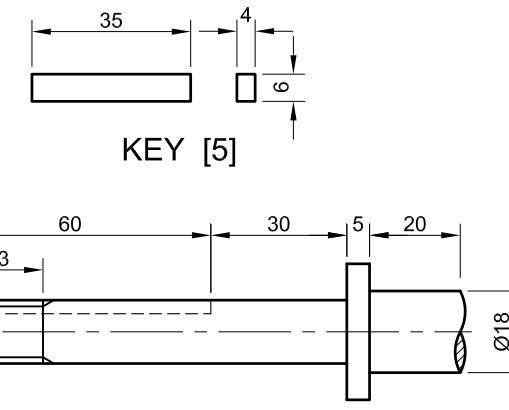
RATCHET [4]



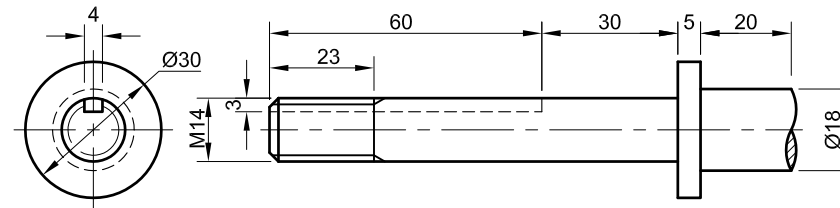
BUSH [3]



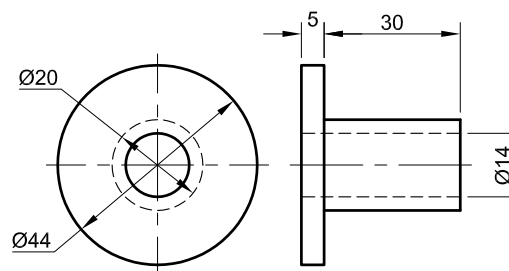
RATCHET ARM [9]



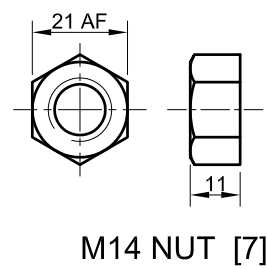
KEY [5]



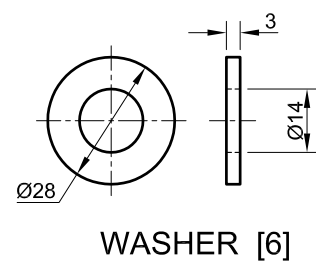
SHAFT [1]



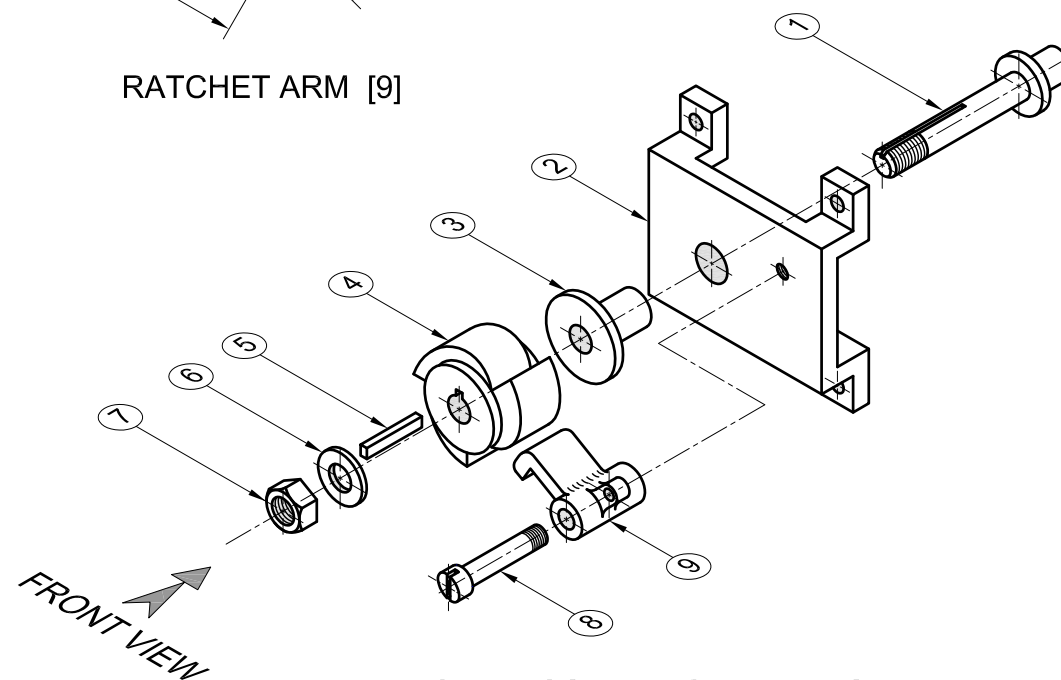
SCREW [8]



M14 NUT [7]



WASHER [6]



EXPLODED ISOMETRIC DRAWING

QUESTION 4: ASSEMBLY DRAWING

Given:

The exploded isometric drawing of the parts of a ratchet and base, showing the position of each part relative to all the others.

Orthographic views of each of the parts of the ratchet and base.

Instructions:

Answer this question on page 6.

Draw, to scale 1:1 and in third-angle orthographic projection, the following views of the assembled parts of the ratchet and base:

- 4.1 The front view as seen from the direction of the arrow indicated in the exploded isometric drawing. NO hidden detail is required.
- 4.2 A sectional right view on cutting plane A-A. The vertical cutting plane passes through the centre line of the assembly, as shown on the front view of the base.

- ALL drawings must comply with the guidelines contained in the SABS 0111.

Add the following feature to the drawing:

- The cutting plane A-A

Note:

- Show THREE faces of the M14 nut and ALL necessary construction. [93]

PARTS LIST

PART	QUANTITY	MATERIAL
1. SHAFT	1	MILD STEEL
2. BASE	1	MILD STEEL
3. BUSH	1	BRASS
4. RATCHET	1	CAST IRON
5. KEY	1	MILD STEEL
6. WASHER	1	SPRING STEEL
7. M14 NUT	1	MILD STEEL
8. SCREW	1	MILD STEEL
9. RATCHET ARM	1	CAST IRON

**EGD
ENGINEERING**
(SA) (PTY) LTD

188 SCHOEMAN STREET
PRETORIA
0001
www.egdengineering.co.za
012 555 2345

RATCHET AND BASE

ALL DIMENSIONS ARE
IN MILLIMETRES

ALL UNSPECIFIED
RADII ARE 5

