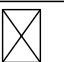
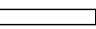
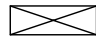
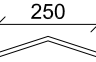
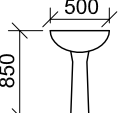
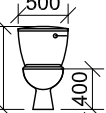
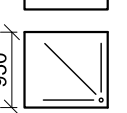
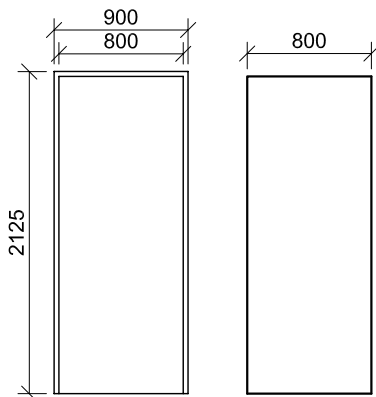


SCHEDULE OF COMPONENTS

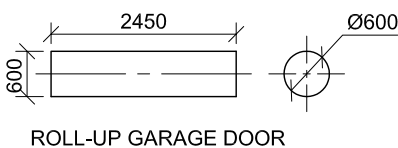
ROOF COMPONENTS	
	75 x 50 PURLINS
	200 x 18 FASCIA BOARD
	115 x 38 WALL PLATE
	ROOF CAP
FIXTURES	
	a - WASH BASIN
	b - WC
	c - SHOWER

DOOR SCHEDULE

DOOR
1 x STANDARD-SIZED DOOR



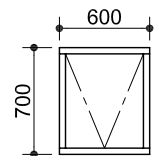
STEEL DOOR FRAME SECTION



ROLL-UP GARAGE DOOR

WINDOW SCHEDULE

WINDOW
1 x STANDARD D1-SIZED STEEL FRAME



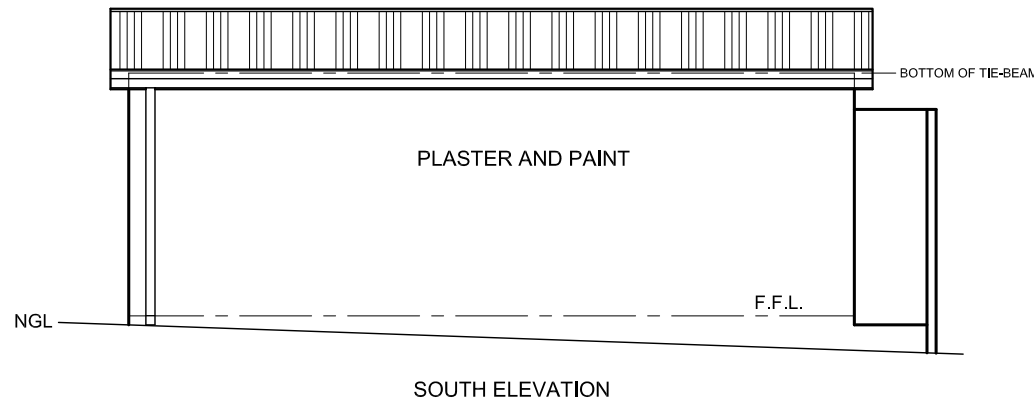
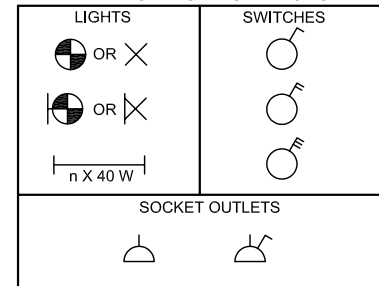
LIST OF FEATURES

- 200 mm LOAD-BEARING WALL
- 100 mm INTERNAL WALL WITH A 400 x 200 mm BRICK PILLAR
- WINDOW OPENING
- DOOR OPENING
- 100 x 1800 mm HIGH SHOWER WALL
- GARAGE DOOR OPENING
- FIXTURES**
 - a. WASH BASIN
 - b. TOILET
 - c. SHOWER

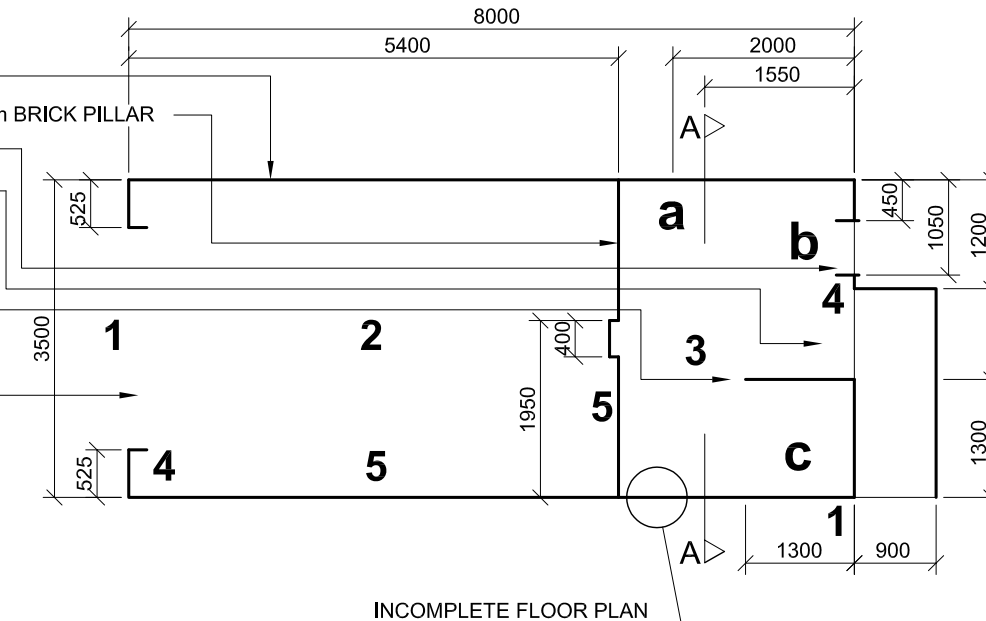
ELECTRICAL FEATURES

1. WALL-MOUNTED LIGHT
2. 2 x 40 W FLUORESCENT TUBES
3. CEILING LIGHT
4. DOUBLE-POLE LIGHT SWITCH
5. SWITCH SOCKET OUTLET

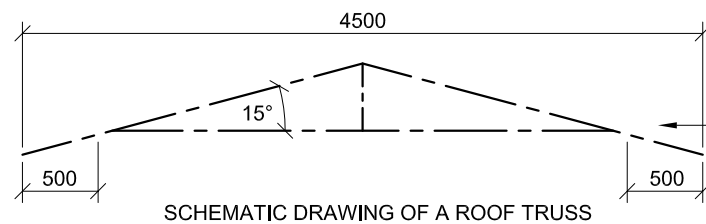
ELECTRICAL SYMBOLS



SOUTH ELEVATION



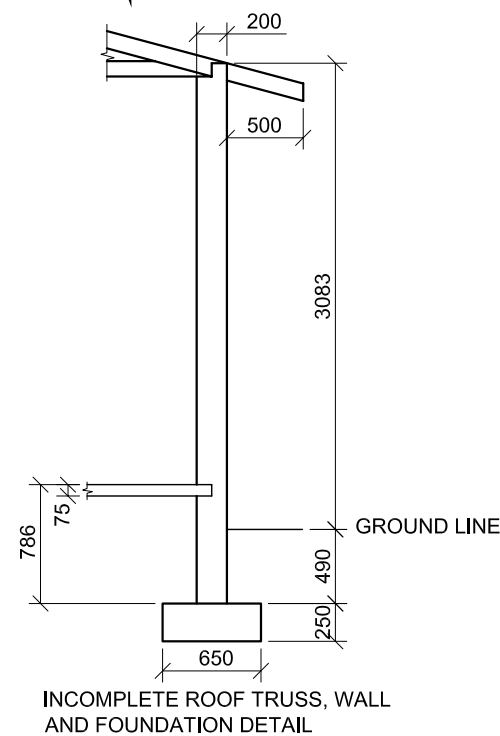
INCOMPLETE FLOOR PLAN



SCHEMATIC DRAWING OF A ROOF TRUSS

ROOF NOTE

37 x 740 IBR SHEETS LAID ON 75 x 50 PURLINS @ 1100 C/C ON 115 x 38 ROOF TRUSSES WITH 100 x 100 BOX GUTTERS ON 200 x 18 FASCIA BOARDS



INCOMPLETE ROOF TRUSS, WALL AND FOUNDATION DETAIL

QUESTION 4: CIVIL DRAWING

Given:

- The complete south elevation of a proposed **free-standing garage with a bathroom** showing the walls and the visible features
- An incomplete floor plan of the proposed **free-standing garage with a bathroom** showing the outline of the walls, the positions of all the features with notes and dimensions
- A schedule of the components
- A table with electrical symbols
- A schematic drawing of a roof truss
- The incomplete roof truss, wall and foundation detail
- The complete south elevation of the proposed new garage with bathroom, drawn to scale, on page 6

Instructions:

- Answer this question on page 6
- Using the given south elevation as a guide, draw, to scale 1:50 and according to the given specifications:
 - 4.1 The complete floor plan
 - 4.2 The complete sectional elevation on cutting plane A-A
- ALL drawings must comply with the guidelines contained in the SABS 0143.

SPECIFICATIONS:

THE FLOOR PLAN

Show the following features on the drawing:

- ALL the walls with hatching detail
- The bathroom door, garage door and the window
- ALL the electrical features as indicated with numbers on the incomplete floor plan
- ALL the sanitary fixtures as indicated with letters on the incomplete floor plan
- The cutting plane A-A

THE SECTIONAL ELEVATION

Show the following features on the drawing:

- The complete foundation, wall, slab and roof truss detail
- The door and window detail
- The WC and shower detail
- ALL hatching detail

Label the following:

- The floor plan including the scale
- The sectional elevation
- Using the correct abbreviations, label the following features on the correct view: natural ground level, damp-proof course, room designations (garage and bathroom) and floor finishes (grano in the garage and ceramic tiles in the bathroom)

NOTE:

ALL substructure hatching may be drawn in freehand. [90]

