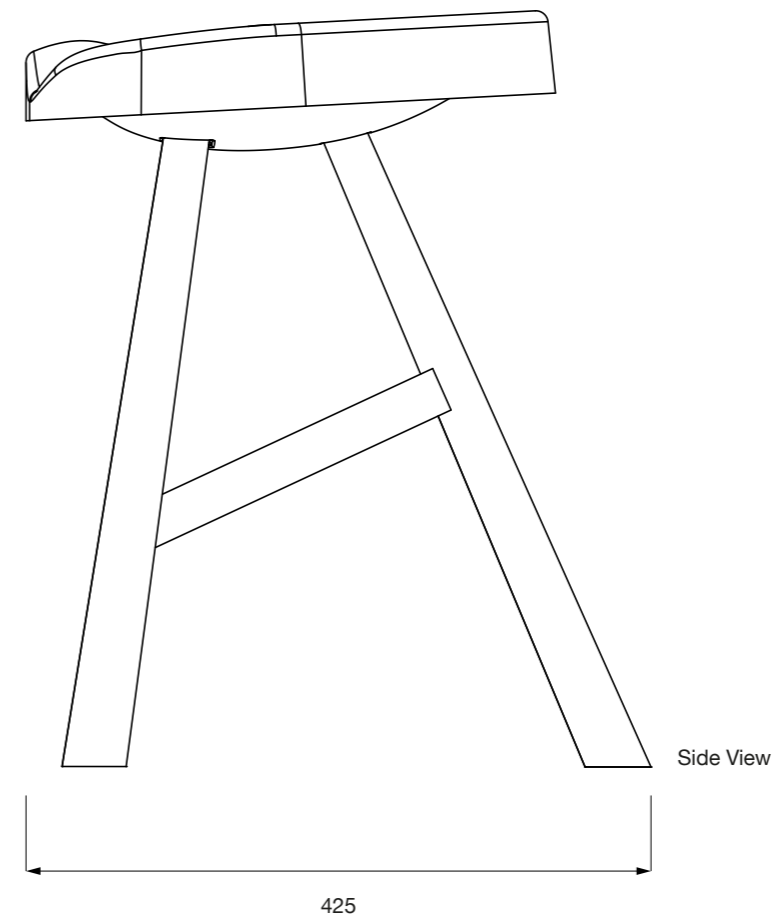
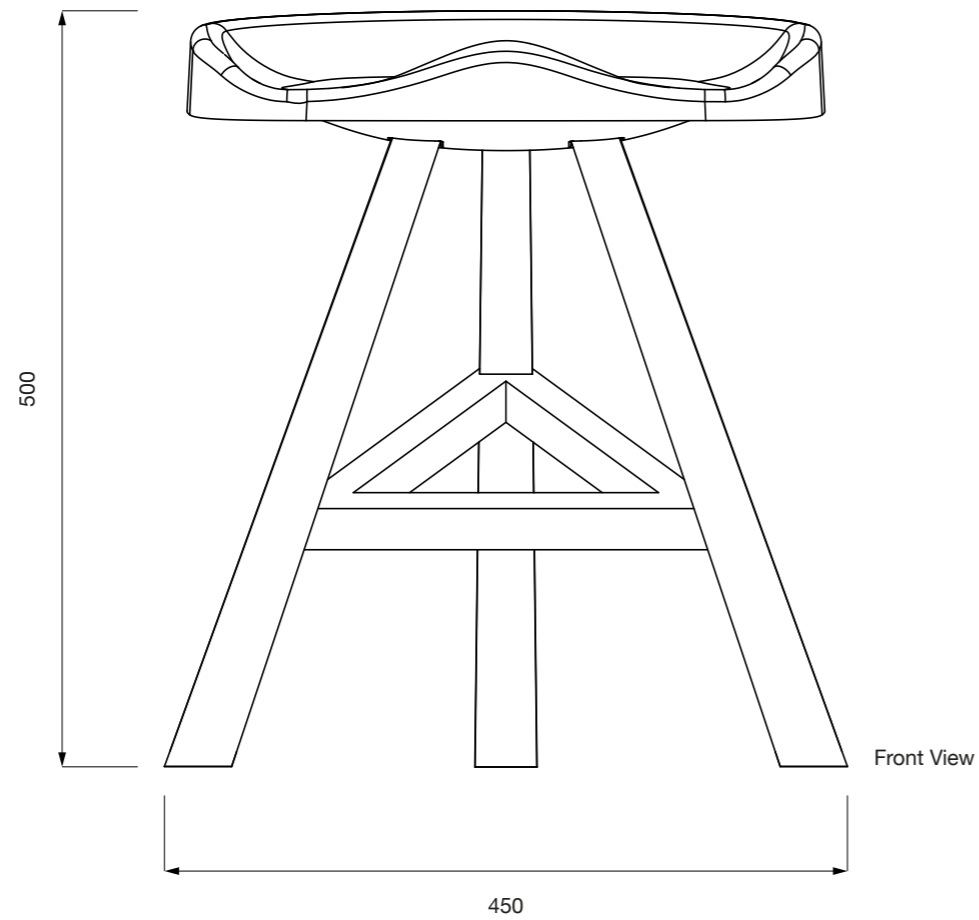


HEIDI | SH500

Sebastian Wrong



Established & Sons
Office +44 (0)20 7608 0990
info@establishedandsons.com
www.establishedandsons.com

Title:
2D HEIDI Sebastian
Wrong ©2025
EstablishedandSons
All-Rights-Reserved

Date:
06/02/2025

Scale:
1:5 Printed on A3

Page:
1/3

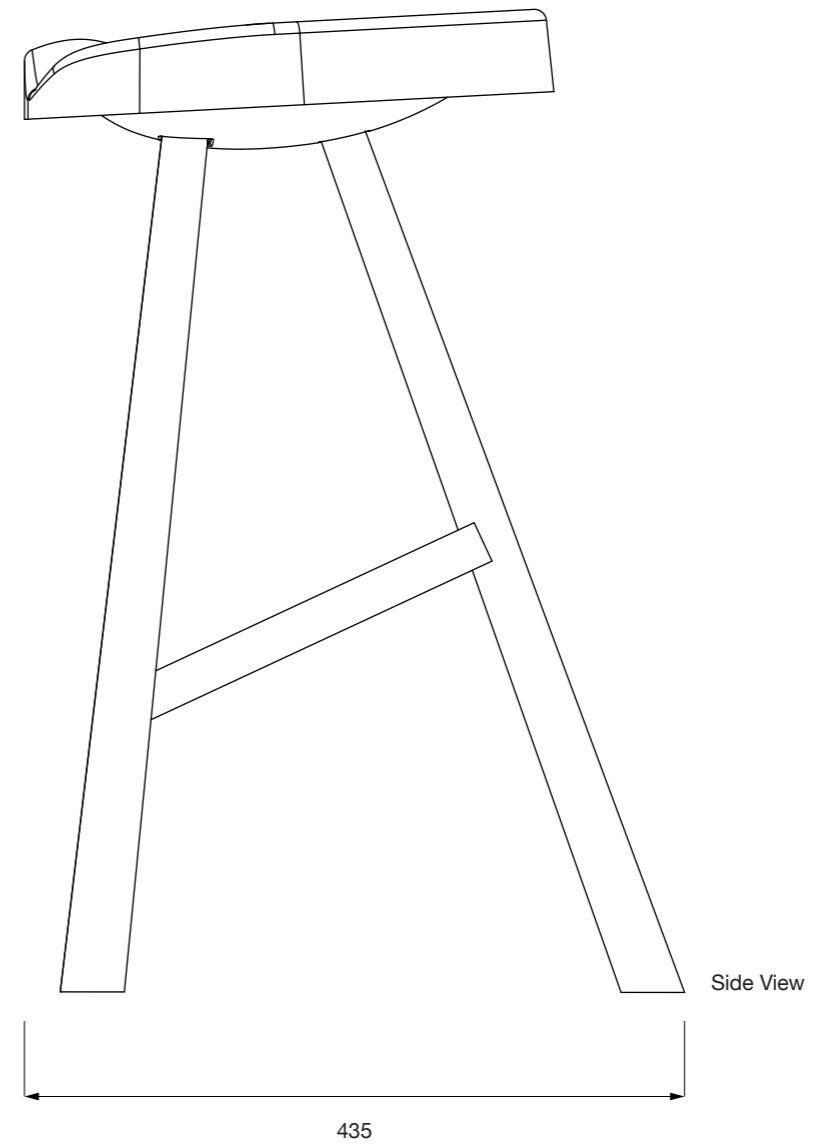
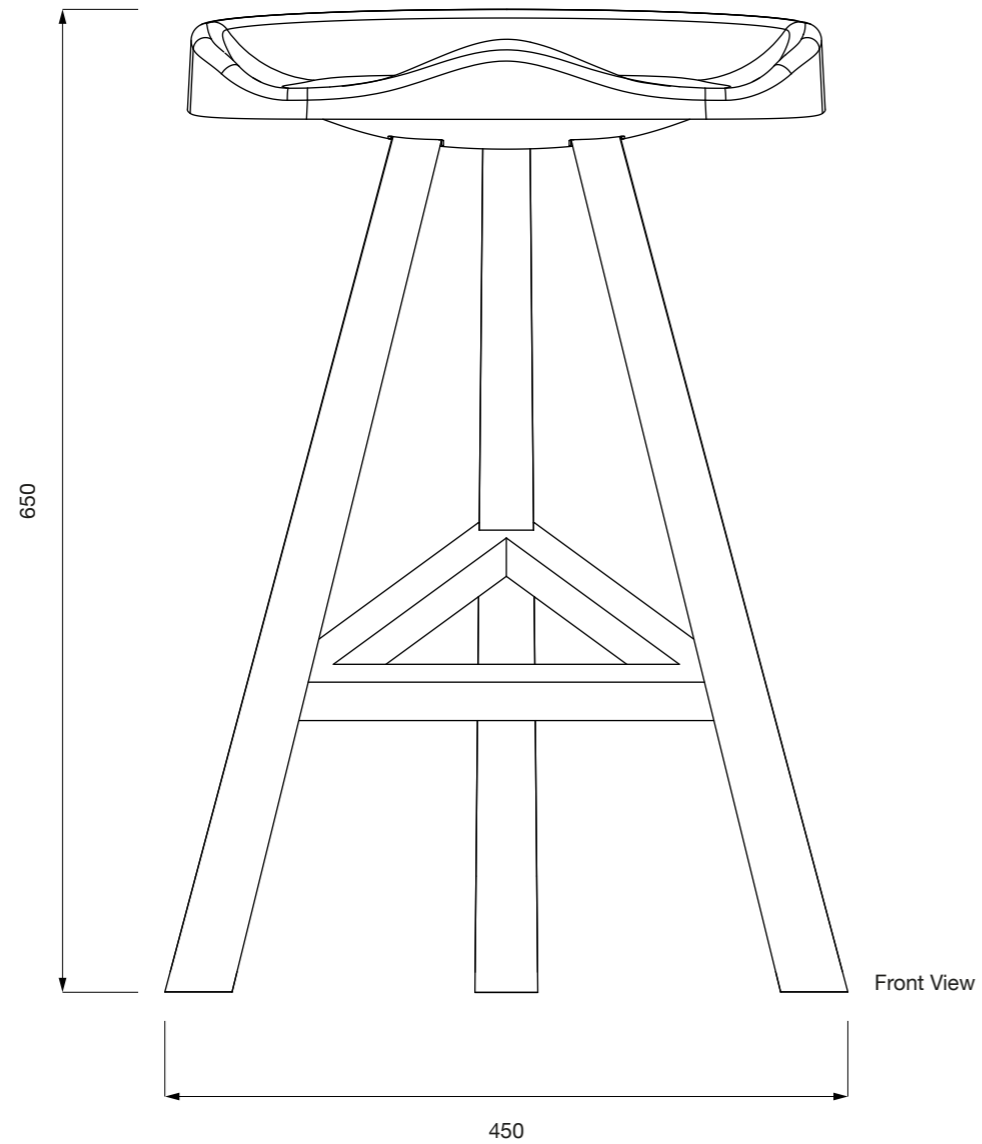
Dimensions:
All dimensions are
shown in millimetres

Material & Finish:
Heat formed ABS,
polyurethane (seat),
ash wood stained to
an oiled oak finish
(legs)

Notes:
The copyright for this drawing and all its contents belong to
Established & Sons.
It must not be reproduced or distributed without prior consent.

HEIDI | SH650

Sebastian Wrong



Established & Sons
Office +44 (0)20 7608 0990
info@establishedandsons.com
www.establishedandsons.com

Title:
2D HEIDI Sebastian
Wrong ©2025
EstablishedandSons
All-Rights-Reserved

Date:
06/02/2025

Scale:
1:5 Printed on A3

Page:
2/3

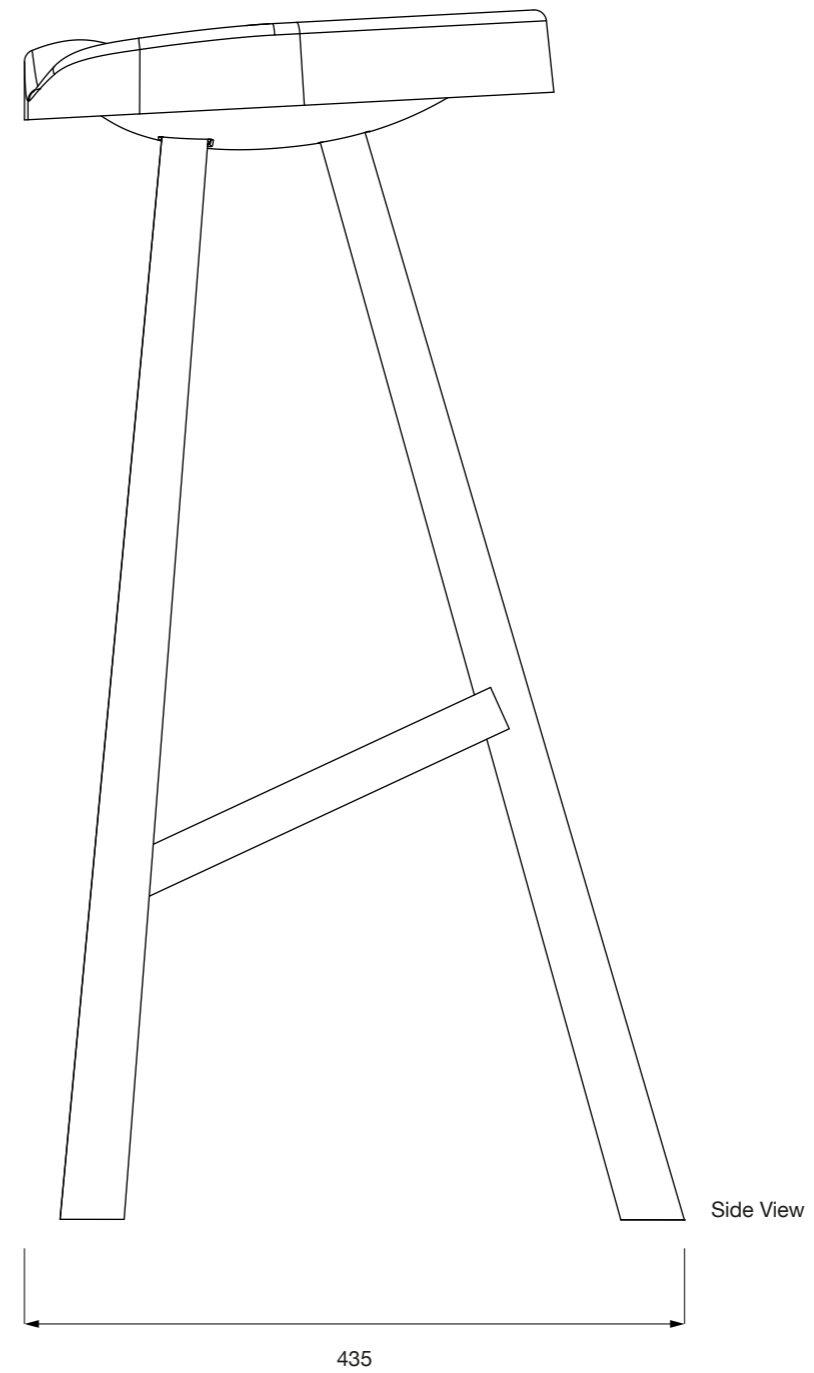
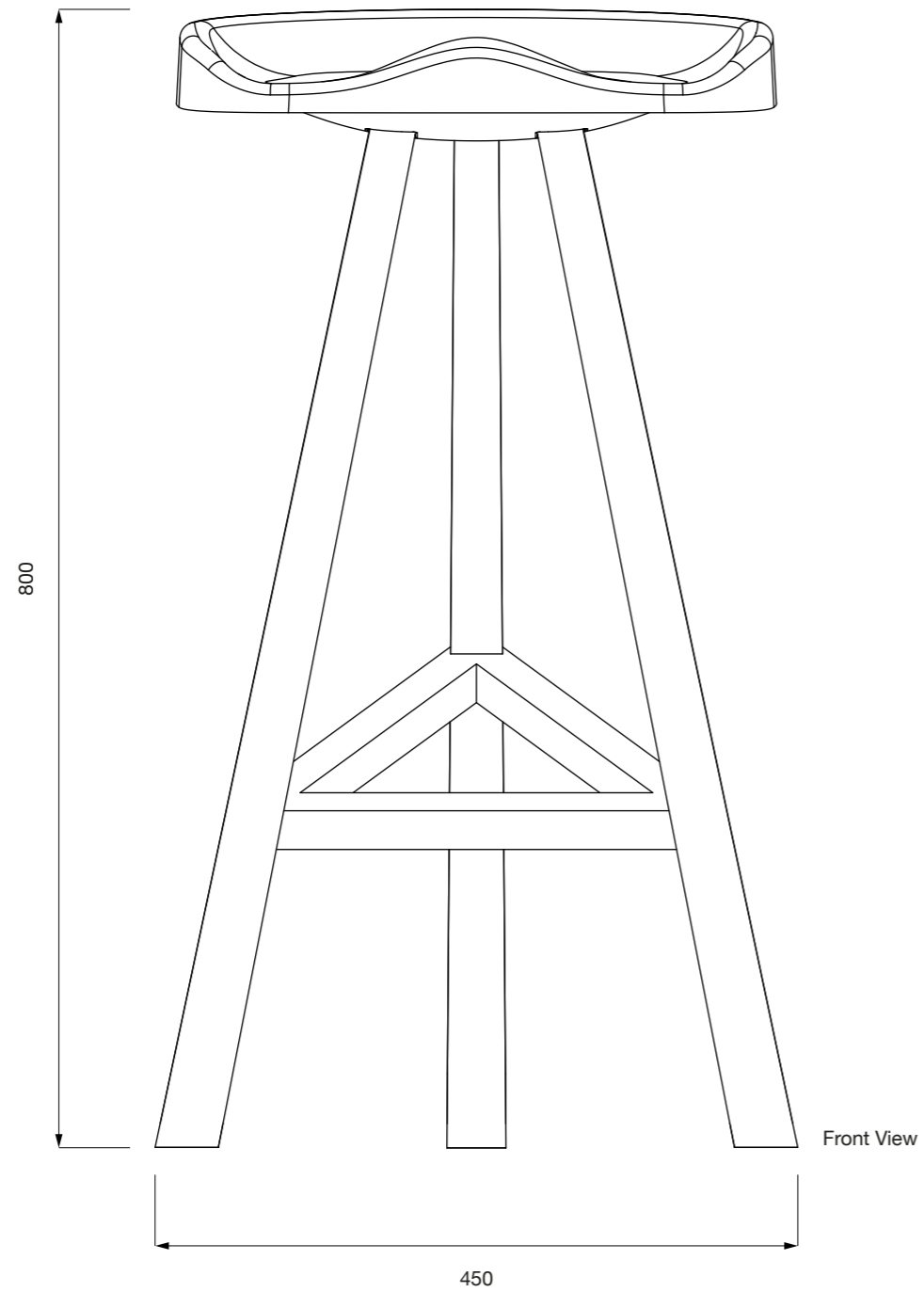
Dimensions:
All dimensions are
shown in millimetres

Material & Finish:
Heat formed ABS,
polyurethane (seat),
ash wood stained to
an oiled oak finish
(legs)

Notes:
The copyright for this drawing and all its contents belong to
Established & Sons.
It must not be reproduced or distributed without prior consent.

HEIDI | SH800

Sebastian Wrong



Established & Sons
Office +44 (0)20 7608 0990
info@establishedandsons.com
www.establishedandsons.com

Title:
2D HEIDI Sebastian
Wrong ©2025
EstablishedandSons
All-Rights-Reserved

Date:
06/02/2025

Scale:
1:5 Printed on A3

Page:
3/3

Dimensions:
All dimensions are
shown in millimetres

Material & Finish:
Heat formed ABS,
polyurethane (seat),
ash wood stained to
an oiled oak finish
(legs)

Notes:
The copyright for this drawing and all its contents belong to
Established & Sons.
It must not be reproduced or distributed without prior consent.