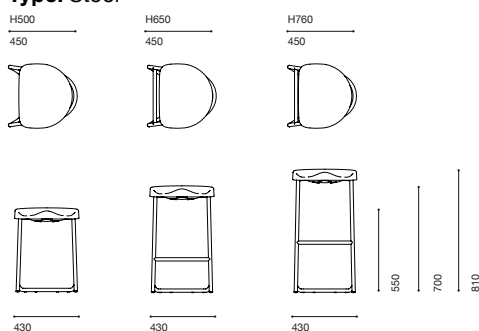


HEIDI - Stacking Sebastian Wrong



Type: Stool



Design: 2019
Designer: Sebastian Wrong

The Heidi is a fun stool that takes its inspiration from the classic tractor seat. Part modern statement, part nostalgia, the solid, colourful moulded seat is combined with a sturdy, tubular frame construction. An excellent kitchen stool, with three heights, any sized dining area can be furnished with a sophisticated splash of colour.

Dimensions

H500: H550 x L430 x D450mm
H650: H700 x L430 x D450mm
H760: H810 x L430 x D450mm

Seat Height

H500mm
H650mm
H760mm



Weight

5.00kg (approx.)
6.00kg (approx.)
6.50kg (approx.)



Materials

Seat: Heat-formed
ABS, polyurethane
Legs: Powder coated
tubular steel

Seat Finish

 RAL9005 (Gloss)
 RAL9003 (Gloss)

Frame Finish

 RAL9005
 RAL7001

Bespoke Pantone available
subject to MOQ of 20

Bespoke RAL available
on request, subject to an
additional cost

Packaging Dimensions

H500: H650 x L480 x D480mm (approx.)
H650: H800 x L480 x D480mm (approx.)
H760: H910 x L480 x D480mm (approx.)

Weight

14kg (approx.)
15kg (approx.)
16kg (approx.)

Notes

Shipped in boxes of two.

Care & Maintenance

Clean with a soft dry cloth. A mild detergent may be used on the seat. Do not use alcohol, polishes, abrasives or any solvents to clean the product, as they may damage the finish.