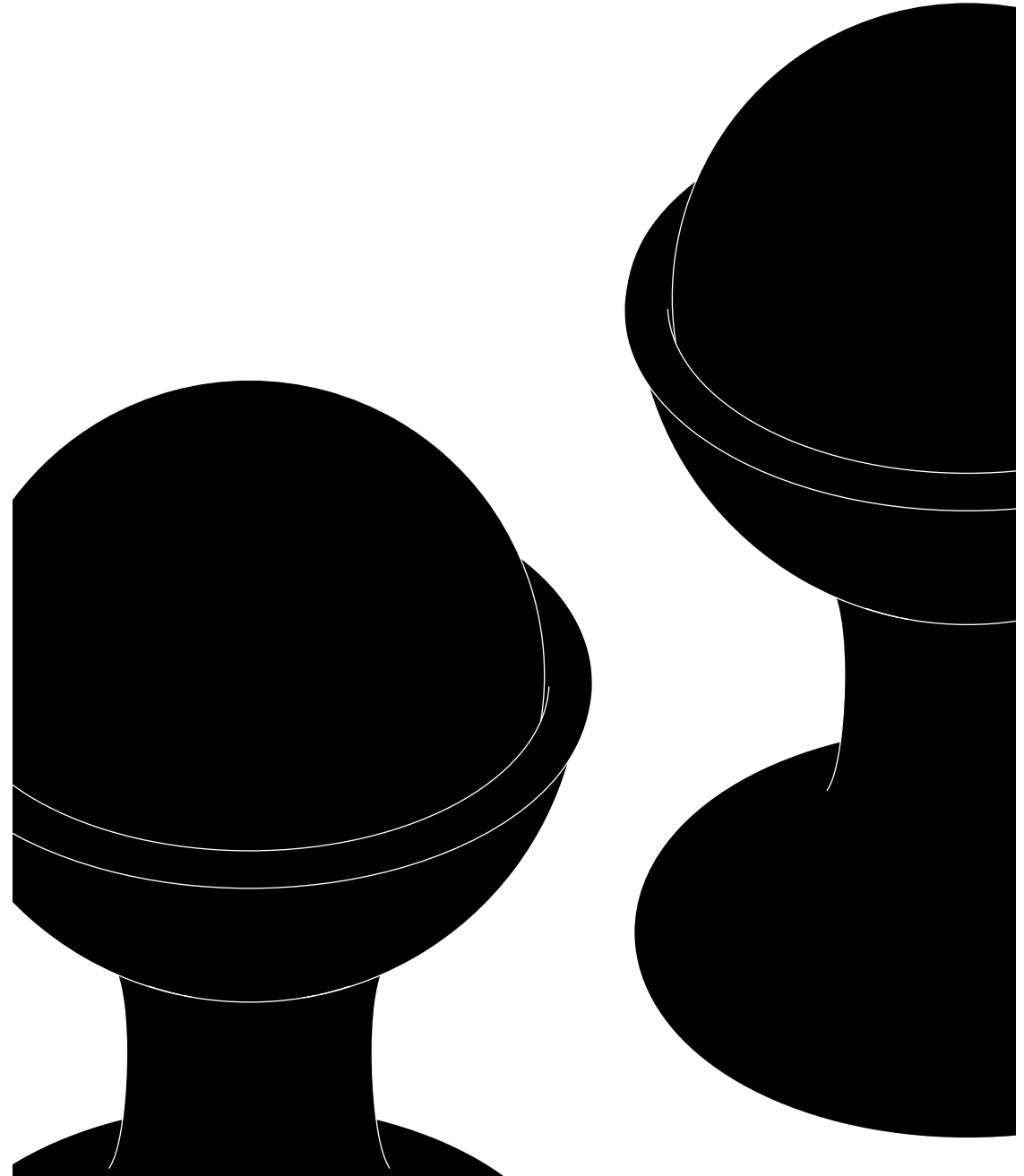

ESTABLISHED & SONS
Coehoornstraat 74-9
6811 LA Arnhem
The Netherlands
Phone +31 26 2340024
establishedandsons.com

GELATO Carlo Nason



GELATO

Carlo Nason

Originally designed in the 1960s by Murano-based Carlo Nason, Gelato has been re-engineered into a playful portable lamp. Its colourful mouth-blown base holds an orb of acid-etched opaline glass. The sphere is lit by a replaceable custom-made LED bulb operated by a three-step dimming switch and is powered by a magnetically charged battery. Suitable for indoor use only.

THE DESIGNER

Carlo Nason is one of Italy's most prolific and revered lighting designers. Born to a rich lineage of Murano glass factory owners, he was actively involved in the process of glass blowing from a very young age. Nason's auspicious upbringing led him to becoming a prominent figure in the golden age of Italian design, melding historical Murano techniques with design movements of the post-war avant-garde. Nason's body of work shows influences from Space Age design beautifully combined with hints of Art Deco. His collections encompass lamps, vases, and sculptures mouthblown in Murano, where he continues to live in retirement. His works are in the collections of the internationally renowned Corning Museum of Glass, and The Museum of Modern Art in New York.



General Information

IMPORTANT, RETAIN FOR FUTURE REFERENCE: READ CAREFULLY

DESIGN
2025

DESCRIPTION
Portable Table Light

MATERIALS
Glass, polycarbonate, aluminium

DIMENSIONS
T1: L225mm x Ø135mm, 1.1kg

LIGHT SOURCE
T1: SMD LED, 3.7V, 1.8W, touch dimming switch.

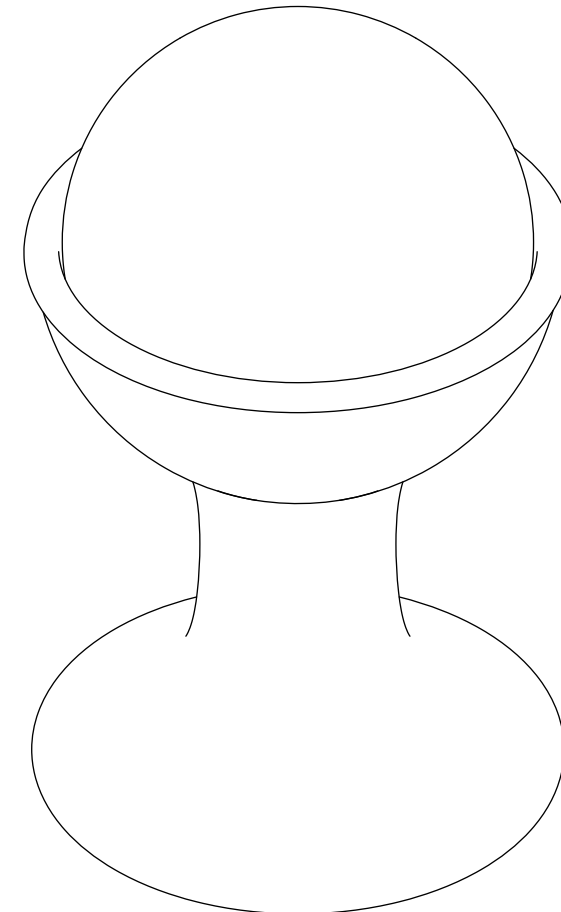
BATTERY
T1: Lithium-Ion battery. Approximately 8 hour charge time, 8-10 hour per charge, USB Type C magnetic charging cable

COLOURS:
Azure, Mint, Smoke, Spritz, Rosy, Caramel

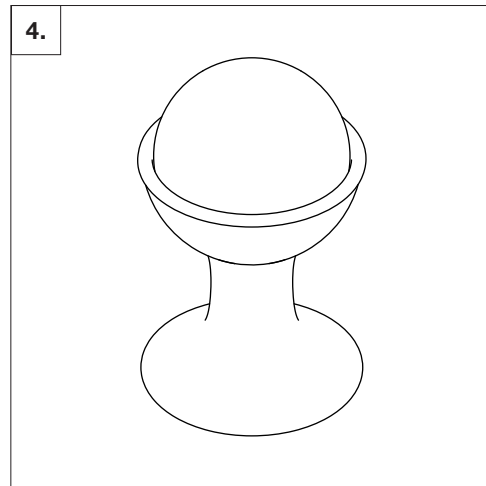
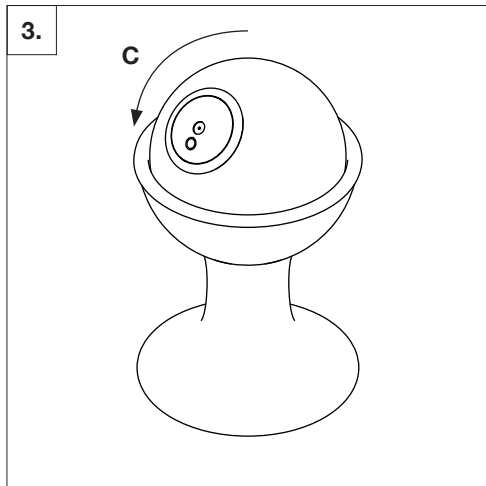
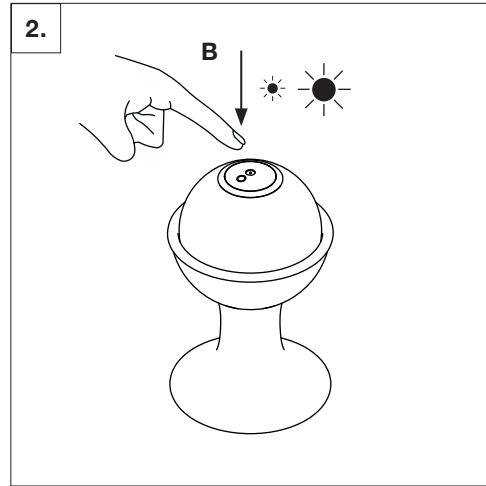
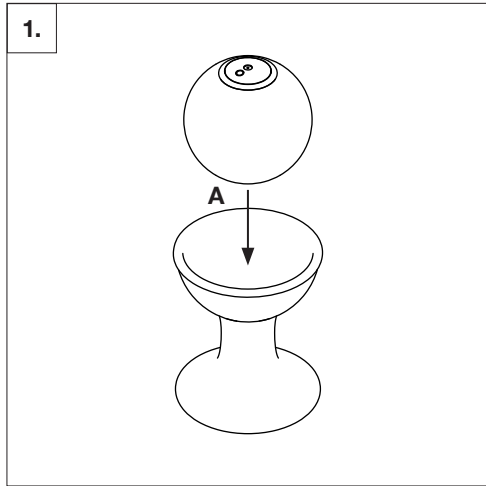
CLEANING GUIDELINES
Clean with a soft dry cloth. Do not use alcohol, polishes, abrasives or any solvents to clean the product, as they may damage the material. This product is suitable for indoor use only. Protect against exposure to heat above 60°C. Not recommended for continuous use over 16h.

NOTES
This product is fitted with a rechargeable, custom LED light source. For replacements of LED light source, please contact Established & Sons or an authorised dealer.

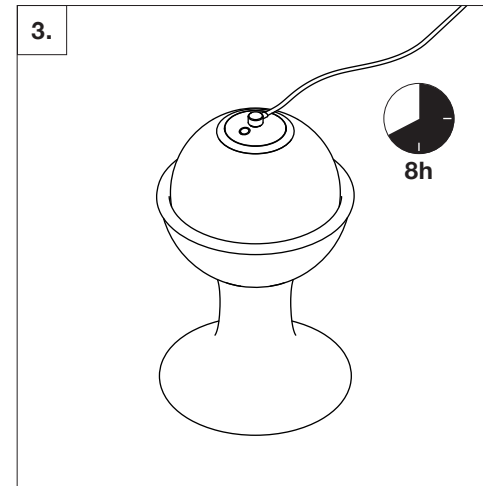
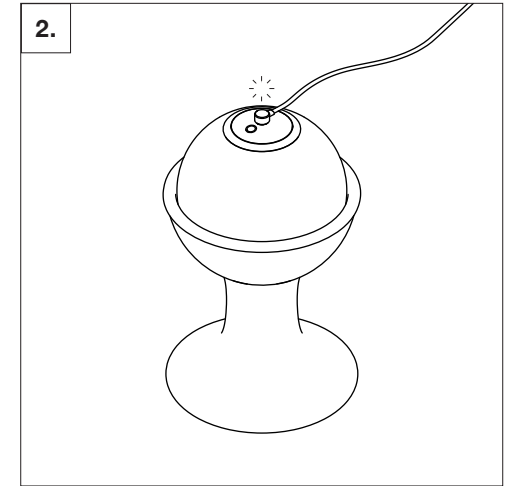
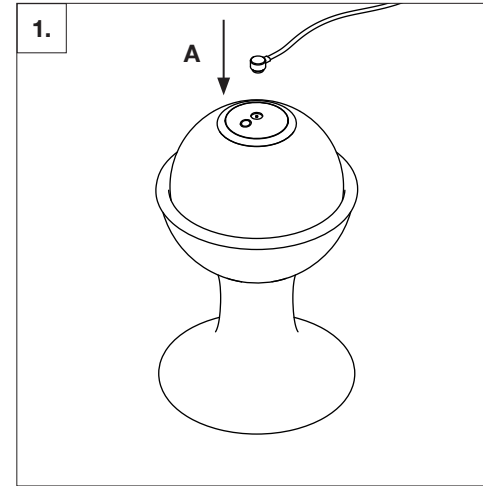
Installation



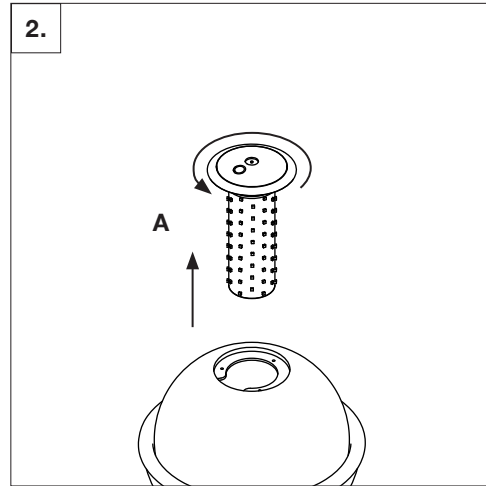
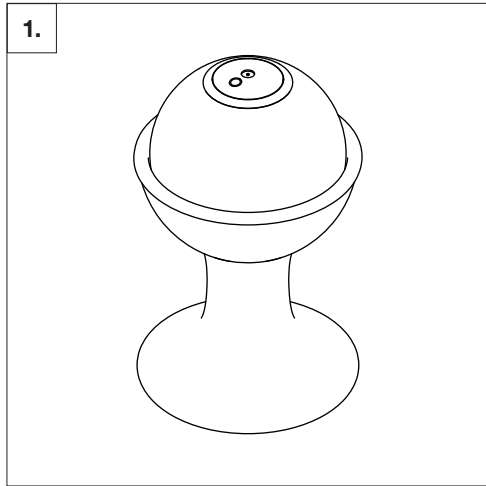
Installation

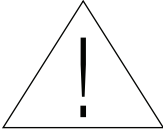


Charging



Bulb Replacement





<EN> **INSTRUCTIONS FOR CORRECT
INSTALLATION AND USE
IMPORTANT!**

Before installing and whenever acting on the luminaire ensure that the electrical supply is switched OFF. Always use a qualified electrician for the installation. Contact your local electricity authority for advice. Damaged electrical parts of the luminaire should be exclusively replaced by the manufacturer or a qualified person. E&S declines all responsibility for products that are modified.

<ES> **INSTRUCCIONES PARA EL USO
Y LA INSTALACIÓN CORRECTOS
¡IMPORTANTE!**

Antes de instalarla y siempre que manipule la luminaria, asegúrese de que el suministro eléctrico esté APAGADO. Recorra siempre a un electricista cualificado para la instalación. Póngase en contacto con su compañía local de electricidad para solicitar información. Las piezas eléctricas averiadas de la luminaria solo deben ser reemplazadas por el fabricante o por una persona cualificada. E&S declina toda responsabilidad por los productos que hayan sido modificados.

<IT> **ISTRUZIONI PER UN CORRETTO
MONTAGGIO ED USO
IMPORTANTE!**

Prima di installare ed ogni volta che si interviene sull'apparecchio assicurarsi che la tensione di alimentazione sia SPENTA. Per il montaggio rivolgersi sempre ad un elettricista qualificato. Contattare l'ente locale competente per qualunque suggerimento. Le parti elettriche danneggiate devono essere sostituite esclusivamente dal costruttore o da una persona qualificata. E&S declina da ogni responsabilità per prodotti che sono stati modificati.

<DE> **INSTALLATIONS- WARTUNGS- UND
BEDIENUNGSHINWEISE
ACHTUNG!**

Licht vor Installation, Wartung und Reinigung immer von der Stromversorgung trennen. Installation sollte immer durch eine Fachkraft ausgeführt werden. Bei Fragen kontaktieren Sie Ihren Stromversorger oder einen Elektrofachbetrieb. Beschädigte Komponenten sollten nur durch den Hersteller oder durch eine Fachkraft ausgetauscht werden. E&S ist nicht haftbar fuer Produkte, die in irgendeiner Form modifiziert wurden.

<FR> **MODE D'EMPLOI POUR UNE BONNE
INSTALLATION ET UTILISATION
IMPORTANT!**

Avant l'installation et chaque fois que vous manipulez le luminaire assurez-vous que l'alimentation électrique est COUPÉE. Appelez toujours un électricien qualifié pour l'installation. Prenez conseil auprès de votre autorité d'électricité locale. Les pièces électriques endommagées du luminaire doivent être remplacées exclusivement par le fabricant ou une personne qualifiée. E&S décline toute responsabilité pour les produits modifiés.

<PT> **INSTRUÇÕES PARA A CORRETA
INSTALAÇÃO E UTILIZAÇÃO
IMPORTANTE!**

Antes de instalar e sempre que atuar sobre o candeeiro deve confirmar que a alimentação elétrica DESLIGADA. A instalação deve ser sempre feita por um electricista qualificado. Contacte a sua entidade local de electricidade para aconselhamento. As componentes elétricas danificadas do candeeiro devem ser substituídas apenas pelo fabricante ou por uma pessoa qualificada. A E&S declina qualquer responsabilidade em relação a produtos que sejam alterados.

<AR> **تعليمات التركيب والاستعمال بالطريقة الصحيحة
هام!**

قبل التركيب وقبل الشروع بأي إجراء على المصباح، تأكد من أن التيار الكهربائي مُطفأ. ينبغي أن يتم التركيب على يد فني كهرباء مختص ومؤهل. اتصل بسلطة الكهرباء المحلية للحصول على النصائح. ينبغي عدم استبدال القطع الكهربائية المتضررة داخل المصباح إلا بواسطة الشركة المُصنِّعة أو شخص مؤهل. لا تتحمل E&S أي مسؤولية عن المنتجات التي يتم تعديلها.

About Established & Sons

Established & Sons is a British brand representing all that is innovative in contemporary design. By supporting the best creators of our time, it has built a collection for people who are passionate about design, presenting imaginative products with style and personality.

Designers and artists are afforded the freedom to explore their own language, advancing pioneering ideas that deliver exceptional furniture and lighting collections. Combined with Established & Sons' commitment to skilled craftsmanship and cutting-edge manufacturing techniques, this produces intelligent designs that are at the same time diverse in the extreme and united in their quest for the extraordinary.

The Established & Sons collection includes some of the most important examples of 21st-century design. Many of the pieces have been acquired by international museums, galleries, institutions and private collections.

Follow us on Instagram

