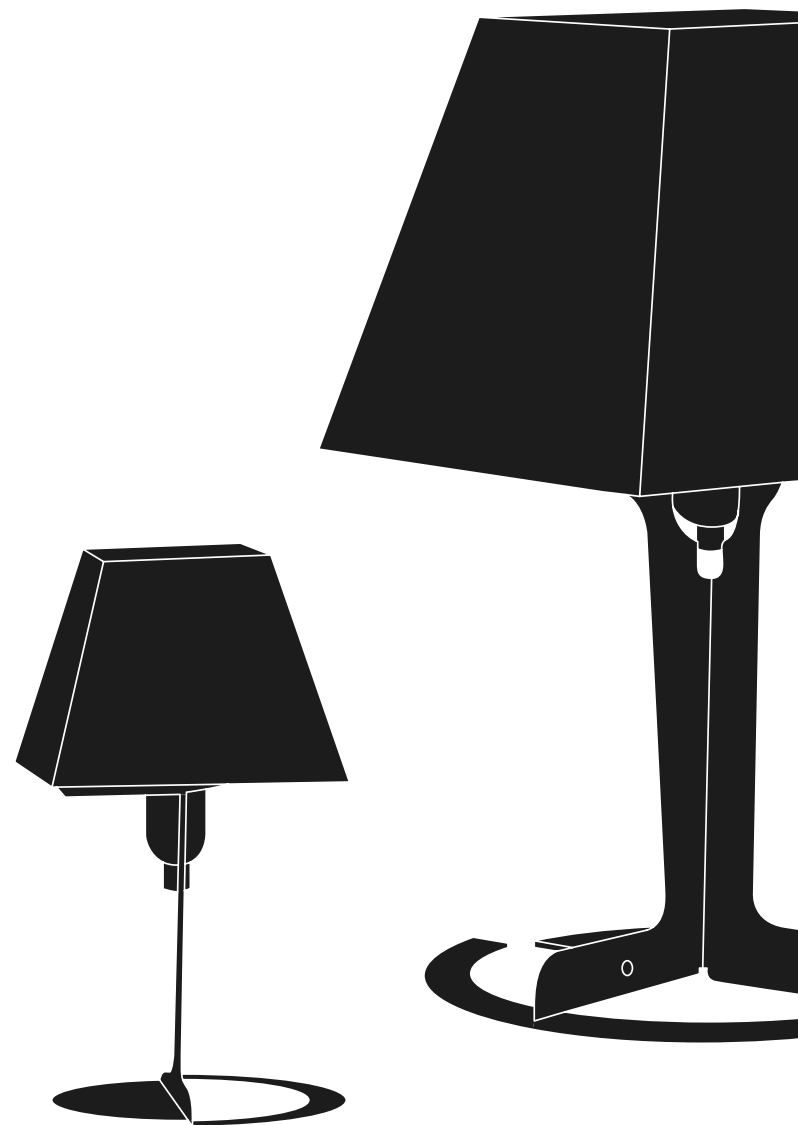

ESTABLISHED & SONS
United Kingdom
Phone +44 (0)20 7608 0990
establishedandsons.com

ESTANDSONS LTD
Estandsons Warehouse
Intereuropa d.d.
Mednarodni prehod 8,
SI-5290 Šempeter pri Gorici,
Slovenija

FOLD ALEXANDER TAYLOR



FOLD

ALEXANDER TAYLOR

Alexander Taylor's Fold family brings high-precision manufacturing to the bedside and desk lamp, using folded, laser-cut sheet metal, and subtle references to classic mid-century design.

THE DESIGNER

Alexander Taylor is one of the UK's leading design innovators. After establishing his studio in 2002, the young designer was quickly catapulted onto the international stage with the launch of the Antlers coat hook, which won multiple awards.



General Information

IMPORTANT, RETAIN FOR FUTURE REFERENCE: READ CAREFULLY

DESIGN
2006

DESCRIPTION
Table light

MATERIALS
Powder coated mild steel, braided fabric cable.

DIMENSIONS
T1: H230mm,
shade L120mm × D120mm,
base Ø120mm,
cable 2000mm, 0.8kg
T2: H450mm,
shade L260mm × D260mm
base Ø260mm,
cable L2000mm, 2.7kg

LIGHT SOURCE
T1: E14, 110/120V, 25w, 45mm opal GLS light bulb
T2: E27, 110/120V, 60w, 95mm opal globe

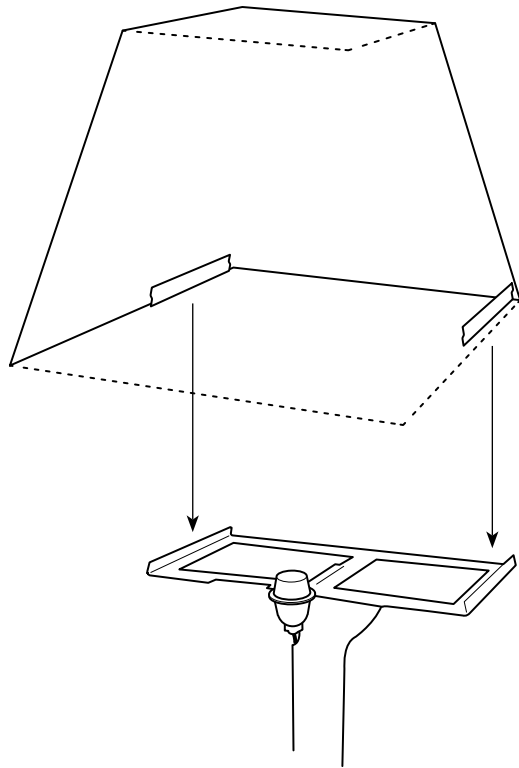
CLEANING GUIDELINES
ATTENTION! Ensure the electrical supply is switched off before cleaning. Please remember to remove any jewellery before cleaning. Clean electrical parts with a soft dry cloth only. To clean the lamp please use a soft, damp cloth or a duster, avoiding any abrasives or solvents.

USER INSTRUCTIONS
For major maintenance or repairs, consult the retailer.

Installation

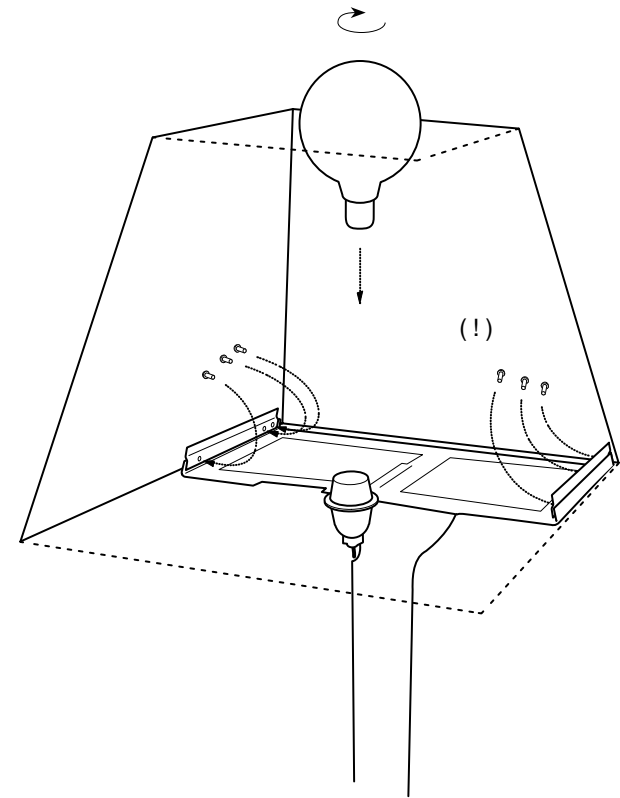


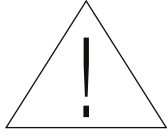
-
1. Align the shade with the brackets at the top of the base and carefully lower it so the screw holes align.
-



2. Insert screws into the holes and turn clockwise to tighten. Insert the bulb and turn clockwise to tighten.

Take caution not to over tighten the bolts (!)





**<EN> INSTRUCTIONS FOR CORRECT
INSTALLATION AND USE
IMPORTANT!**

Before installing and whenever acting on the luminaire ensure that the electrical supply is switched OFF. Always use a qualified electrician for the installation. Contact your local electricity authority for advice. Damaged electrical parts of the luminaire should be exclusively replaced by the manufacturer or a qualified person. E&S declines all responsibility for products that are modified.

**<ES> INSTRUCCIONES PARA EL USO
Y LA INSTALACIÓN CORRECTOS
¡IMPORTANTE!**

Antes de instalarla y siempre que manipule la luminaria, asegúrese de que el suministro eléctrico esté APAGADO. Recurra siempre a un electricista cualificado para la instalación. Póngase en contacto con su compañía local de electricidad para solicitar información. Las piezas eléctricas averiadas de la luminaria solo deben ser reemplazadas por el fabricante o por una persona cualificada. E&S declina toda responsabilidad por los productos que hayan sido modificados.

**<IT> ISTRUZIONI PER UN CORRETTO
MONTAGGIO ED USO
IMPORTANTE!**

Prima di installare ed ogni volta che si interviene sull'apparecchio assicurarsi che la tensione di alimentazione sia SPENTA. Per il montaggio rivolgersi sempre ad un elettricista qualificato. Contattare l'ente locale competente per qualunque suggerimento. Le parti elettriche danneggiate devono essere sostituite esclusivamente dal costruttore o da una persona qualificata. E&S declina da ogni responsabilità per prodotti che sono stati modificati.

**<DE> INSTALLATIONS- WARTUNGS- UND
BEDIENUNGSHINWEISE
ACHTUNG!**

Licht vor Installation, Wartung und Reinigung immer von der Stromversorgung trennen. Installation sollte immer durch eine Fachkraft ausgeführt werden. Bei Fragen kontaktieren Sie Ihren Stromversorger oder einen Elektrofachbetrieb. Beschädigte Komponenten sollten nur durch den Hersteller oder durch eine Fachkraft ausgetauscht werden. E&S ist nicht haftbar fuer Produkte, die in irgendeiner Form modifiziert wurden.

**<FR> MODE D'EMPLOI POUR UNE BONNE
INSTALLATION ET UTILISATION
IMPORTANT!**

Avant l'installation et chaque fois que vous manipulez le luminaire assurez-vous que l'alimentation électrique est COUPÉE. Appelez toujours un électricien qualifié pour l'installation. Prenez conseil auprès de votre autorité d'électricité locale. Les pièces électriques endommagées du luminaire doivent être remplacées exclusivement par le fabricant ou une personne qualifiée. E&S décline toute responsabilité pour les produits modifiés.

**<PT> INSTRUÇÕES PARA A CORRETA
INSTALAÇÃO E UTILIZAÇÃO
IMPORTANTE!**

Antes de instalar e sempre que atuar sobre o candeeiro deve confirmar que a alimentação elétrica DESLIGADA. A instalação deve ser sempre feita por um electricista qualificado. Contacte a sua entidade local de electricidade para aconselhamento. As componentes elétricas danificadas do candeeiro devem ser substituídas apenas pelo fabricante ou por uma pessoa qualificada. A E&S declina qualquer responsabilidade em relação a produtos que sejam alterados.

**<AR> تعليمات التركيب والاستعمال بالطريقة الصحيحة
هام!**

قبل التركيب وقبل الشروع بأي إجراء على المصباح، تأكد من أن التيار الكهربائي مُطفأ. ينبغي أن يتم التركيب على يد فني كهرباء مختص ومؤهل. اتصل بسلطة الكهرباء المحلية للحصول على النصائح. ينبغي عدم استبدال القطع الكهربائية المتضررة داخل المصباح إلا بواسطة الشركة المُصنعة أو شخص مؤهل. لا تتحمل E&S أي مسؤولية عن المنتجات التي يتم تعديلها.

About Established & Sons

Established & Sons is a British brand representing all that is innovative in contemporary design. By supporting the best creators of our time, it has built a collection for people who are passionate about design, presenting imaginative products with style and personality.

Designers and artists are afforded the freedom to explore their own language, advancing pioneering ideas that deliver exceptional furniture and lighting collections. Combined with Established & Sons' commitment to skilled craftsmanship and cutting-edge manufacturing techniques, this produces intelligent designs that are at the same time diverse in the extreme and united in their quest for the extraordinary.

The Established & Sons collection includes some of the most important examples of 21st-century design. Many of the pieces have been acquired by international museums, galleries, institutions and private collections.

Follow us on Instagram

