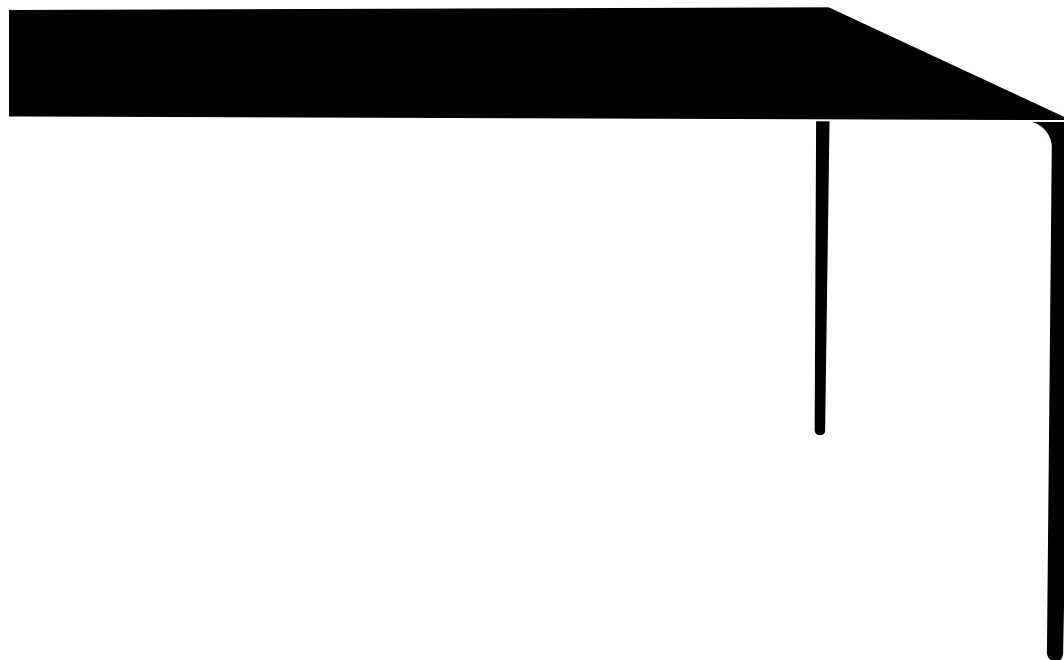

ESTABLISHED & SONS
United Kingdom
Phone +44 (0)20 7608 0990
establishedandsons.com

ESTANDSONS LTD
Estandsons Warehouse
Intereuropa d.d.
Mednarodni prehod 8,
SI-5290 Šempeter pri Gorici,
Slovenija

SURFACE TABLE

Terence Woodgate/ John Barnard



SURFACE TABLE

Terence Woodgate/ John Barnard

Bringing together the best of furniture and Formula 1 racing car design, the super-slim 2mm edge and long span of the Surface Table is made possible by cutting-edge engineering and carbon fibre composite materials.

THE DESIGNER

A modernist at heart, Terence Woodgate is known for his simple, thoughtful and understated designs. Woodgate works from his studio in the UK where he continues to seek ways to distil the essentials of design. John Barnard is one of the most innovative racing car design engineers of his generation. Uniquely he has been technical director/ chief designer at both Ferrari and McLaren.



General Information

IMPORTANT, RETAIN FOR FUTURE REFERENCE: READ CAREFULLY

DESIGN
2009

DESCRIPTION
Table

DIMENSIONS
L2400mm x D1000mm x H720mm
L3000mm x D1000mm x H720mm

MATERIALS
Unidirectional carbon fibre, lacquer, steel

COLOURS
High gloss lacquer, satin matt lacquer

User Instructions

CLEANING GUIDELINES

Satin matt

The table should first be dry dusted with a clean, cotton cloth. If wet cleaning is required, the item should be cleaned without pressure using a soft, slightly damp microfibre cloth in a circular motion. A mild, non-coloured detergent, such as Ecover Washing Up liquid can also be used. The table should be dried thoroughly following wet cleaning using a dry, clean microfibre cloth in order to avoid temporary streaking and residue.

High gloss lacquer

Same as above, however, if polishing is required, this can be done using a microfibre cloth with a small amount of non abrasive polish such as Auto Glym Super Resin polish. Lightly apply in a circular motion and buff off using a dry, clean microfibre cloth. Both the surface of the table & the legs can be cleaned in this way.

Avoid contact with certain solvents, including white spirit, toluene based products and acetone (Beware of many household cleaning products and polishes as these may contain potentially damaging solvents).

USER INSTRUCTIONS

Please read this instruction manual in full prior to handling & installation Established & Sons disclaims any responsibility deriving from incorrect use of the mentioned object Please note 4 people are required for installation. Remove all jewellery and watches before handling.

The product is not suitable for outdoor use.

Avoid contact with heat sources.

Do not stand or sit on the table.

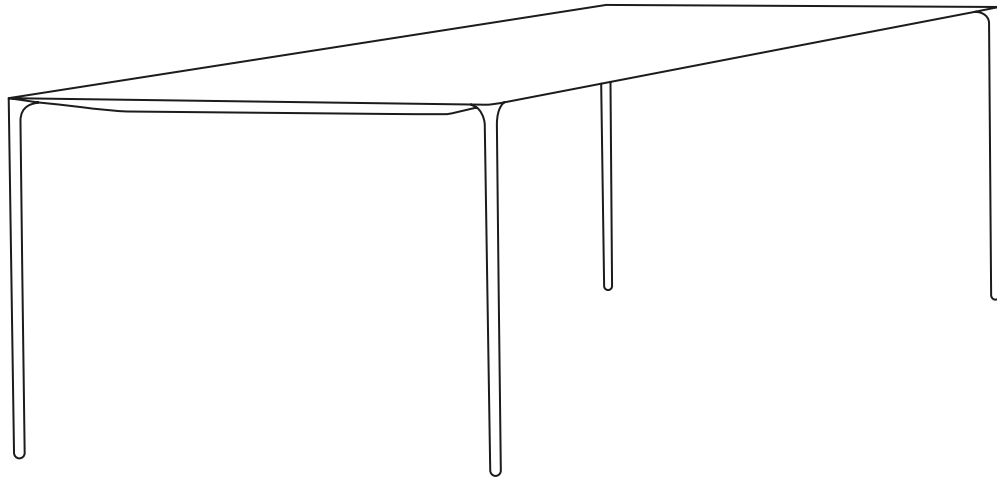
Do not use sharp objects on the table.

For major maintenance and repairs, contact the retailer.

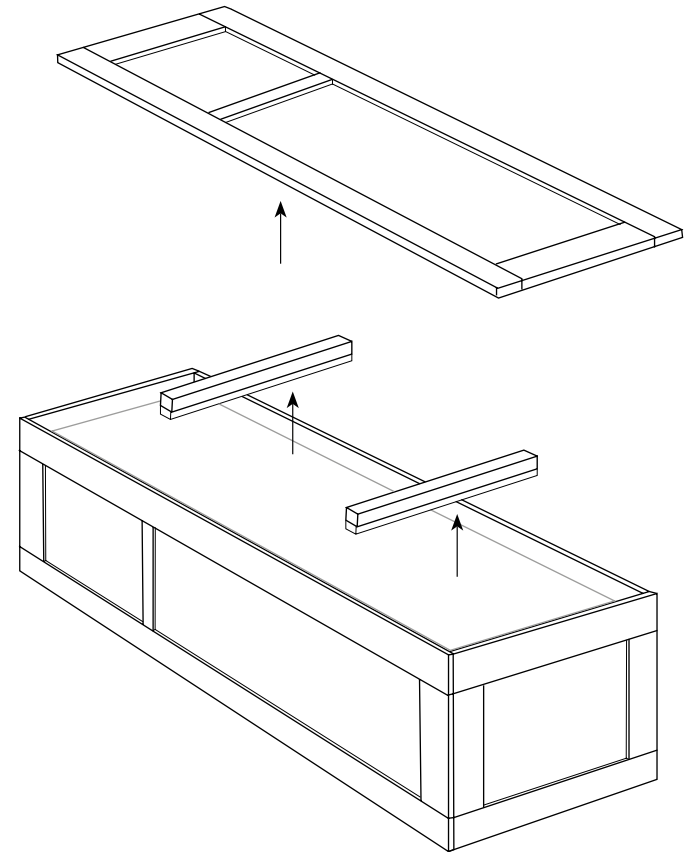
Please retain the crate for future transportation or long term storage. Do not pack or cover the piece with any plastic covering.

Once the product or its components are no longer used, make sure that they are disposed of correctly through the public waste disposal services.

Uncrating

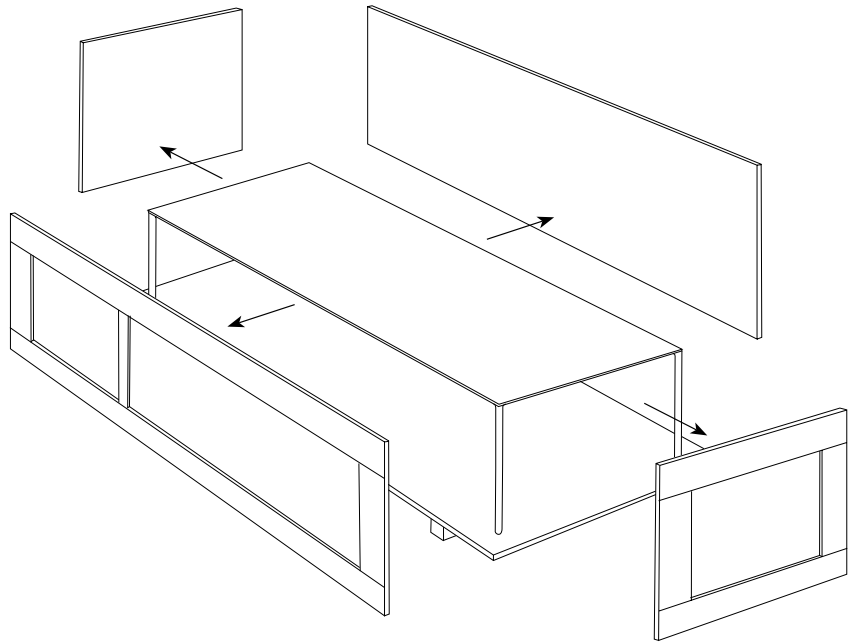


1. Carefully unscrew the top of the packing case and place away from the crate. Remove the batons that secure the piece. These will be fastened to the packing case from the outside and should be unscrewed carefully before lifting out of the crate.

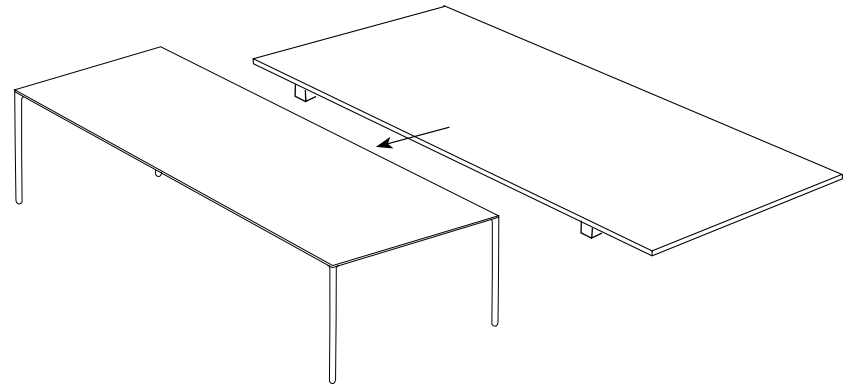


Please read installation instructions in full prior to installation. Established & Sons will not accept liability for any damages caused through incorrect handling of the piece during installation.

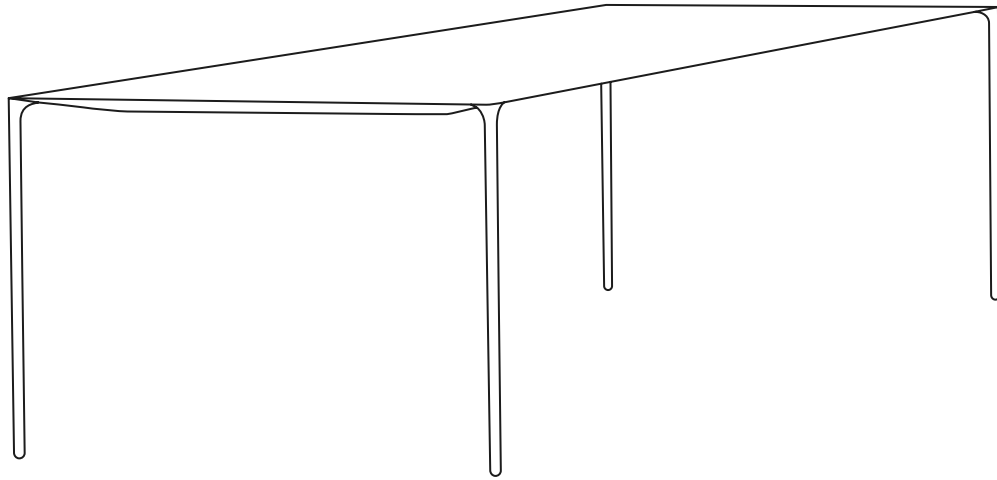
-
2. Remove all sides of the packing case so that the piece can be fully and easily accessed. Please ensure that when the sides are removed, no part falls onto or leans against the piece itself.
-



-
3. With a sufficient number of people, we advise four people, the piece can then be lifted from the floor of the packing case and positioned. Ensure the piece is kept horizontal at all times.
-



Installation



Part A



Part B



Part C



Part D

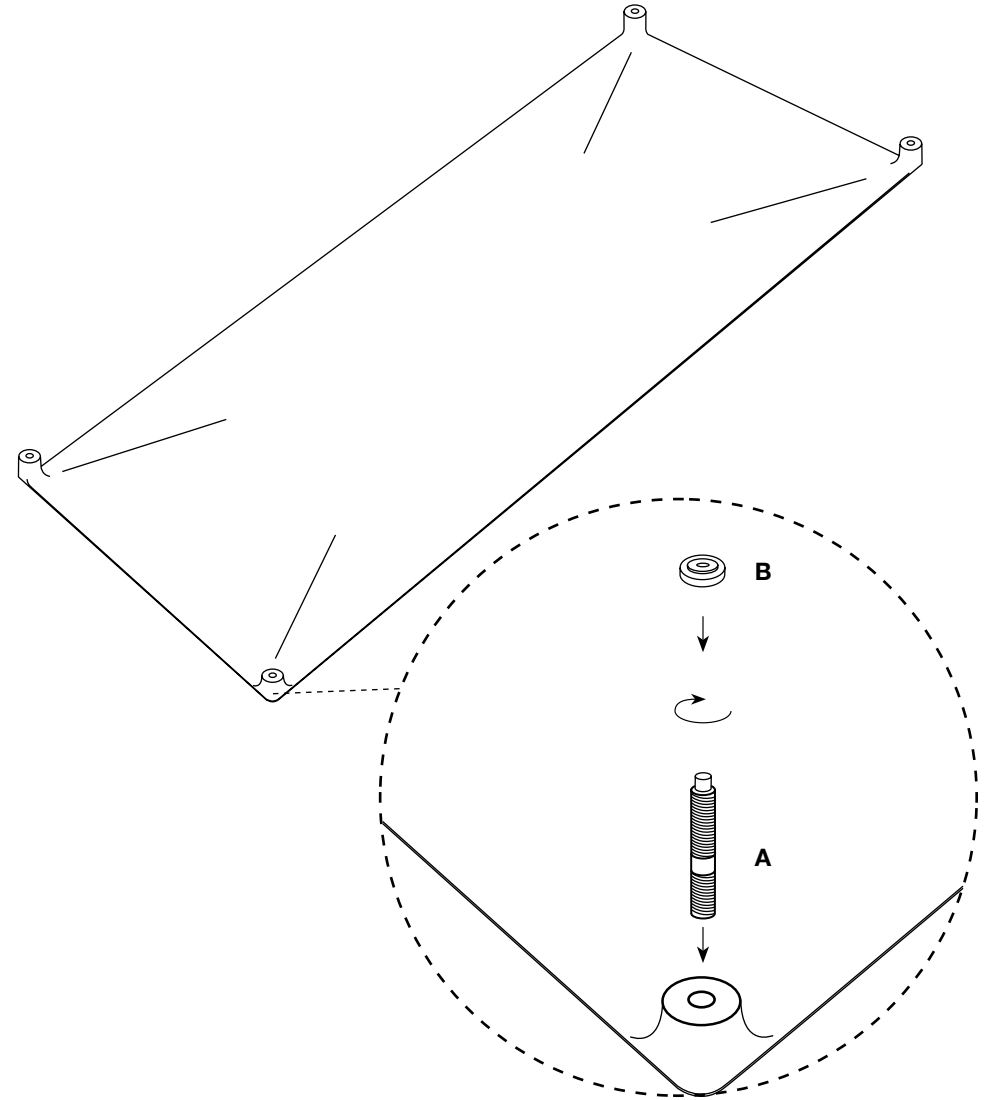


Part E



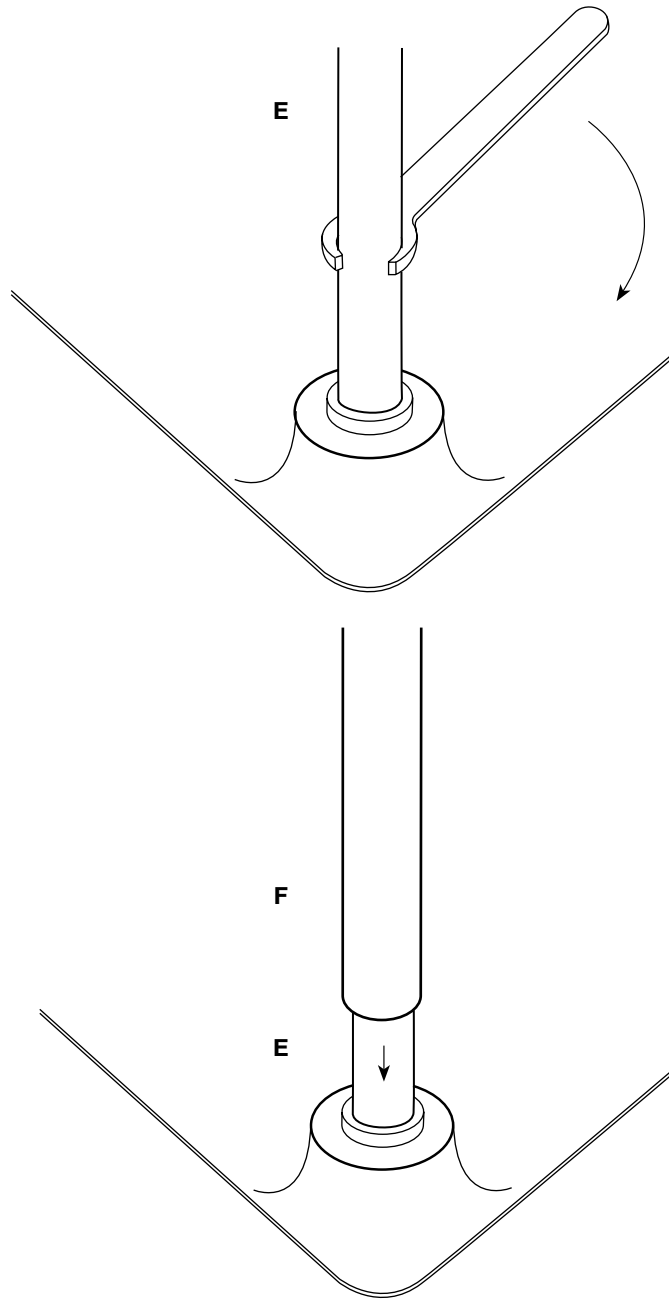
Part E

1. We advise that a clean blanket is laid on the floor to prevent damage to the surface of the table top. Carefully uncrate and place in the prepared area with the bottom of the table facing up. Screw part A in a clockwise direction into the corner fitting. Slide part B over part A in the orientation shown.



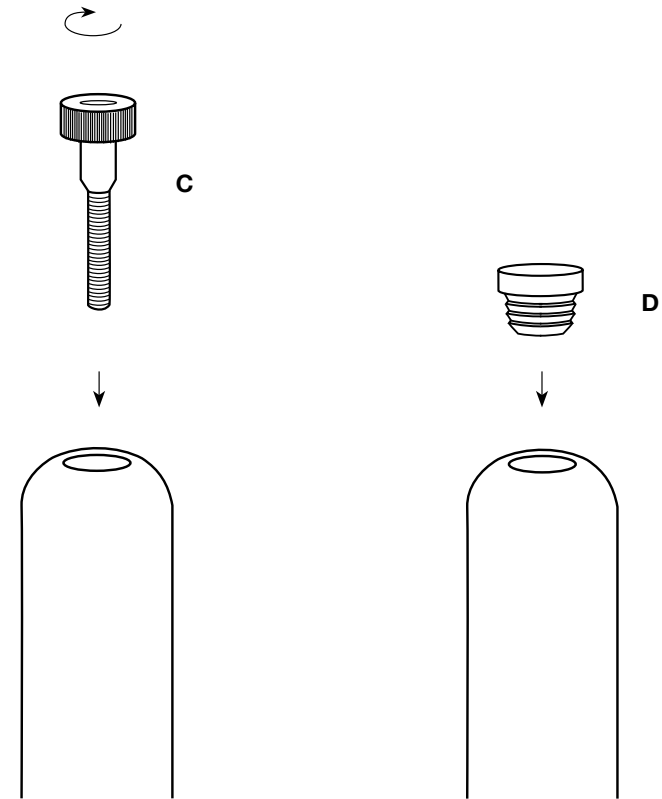
-
2. Fit part E over the parts already in place. Tighten by turning in a clockwise direction using a 12mm spanner.

Slide part F over part E



-
3. Insert part C into the end of part F and tighten by turning in a clockwise direction using a 6mm allen key. Insert Part D into the top to finish. Repeat steps 1 - 4 for the remaining 3 legs.

Carefully lift the assembled table and turn the right way up. Gently lower to the floor.



About Established & Sons

Established & Sons is a British brand representing all that is innovative in contemporary design. By supporting the best creators of our time, it has built a collection for people who are passionate about design, presenting imaginative products with style and personality.

Designers and artists are afforded the freedom to explore their own language, advancing pioneering ideas that deliver exceptional furniture and lighting collections. Combined with Established & Sons' commitment to skilled craftsmanship and cutting-edge manufacturing techniques, this produces intelligent designs that are at the same time diverse in the extreme and united in their quest for the extraordinary.

The Established & Sons collection includes some of the most important examples of 21st-century design. Many of the pieces have been acquired by international museums, galleries, institutions and private collections.

Follow us on [Instagram](#)