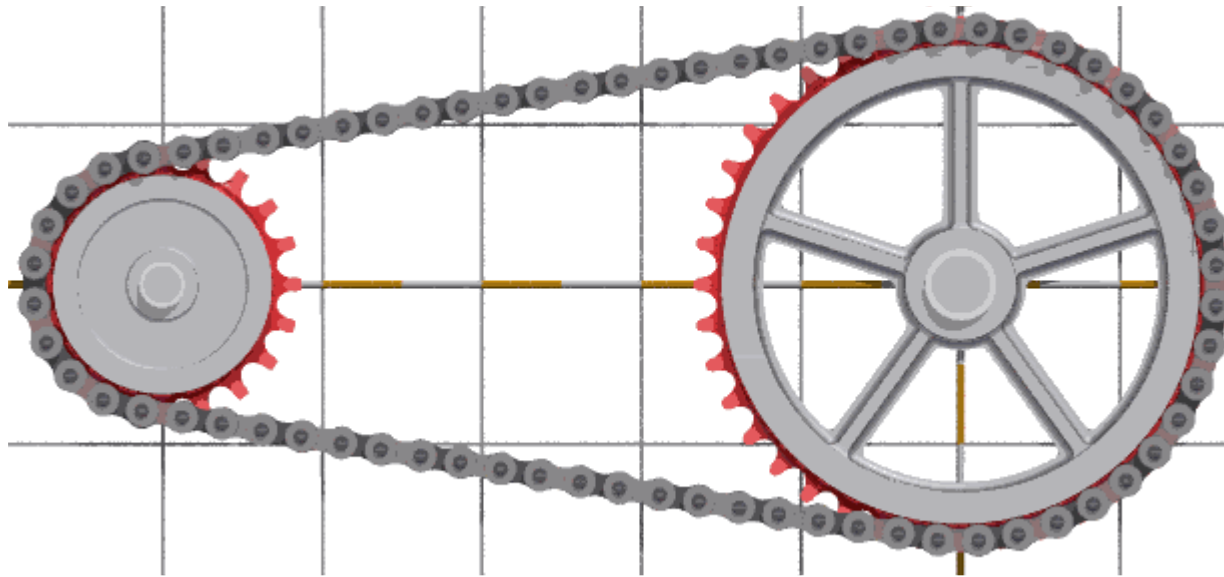


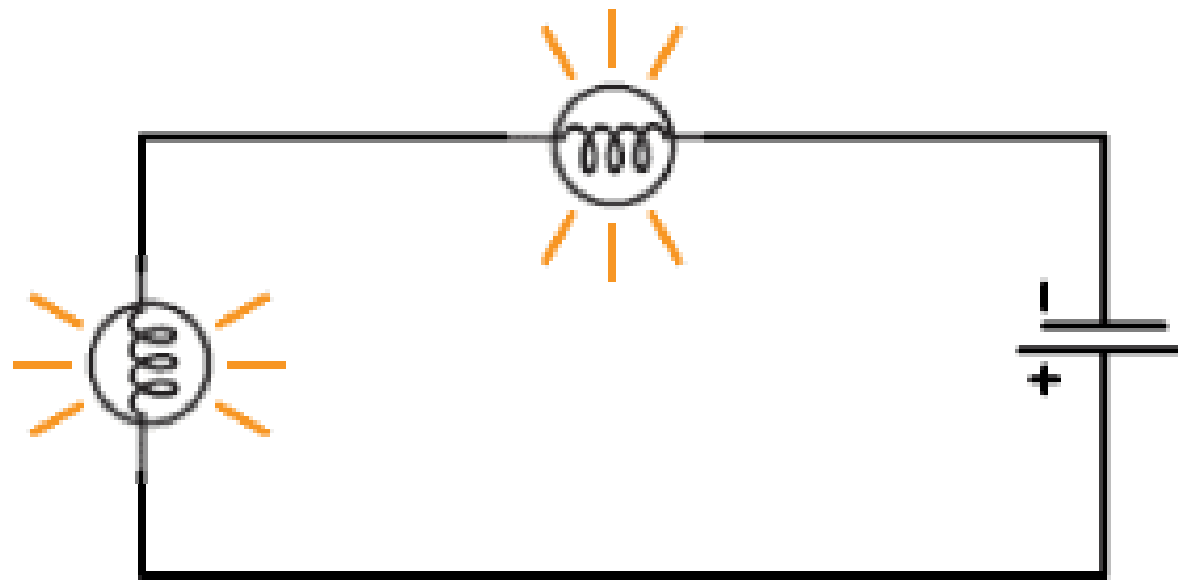
Associação de resistores: série e paralelo

Prof. Jadoski
Física

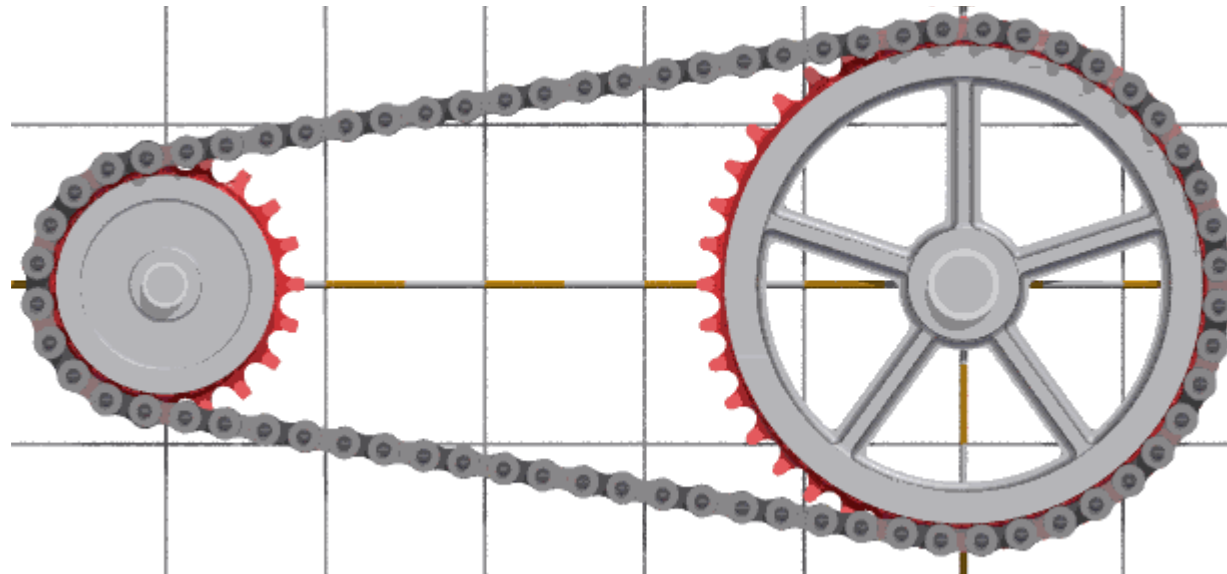


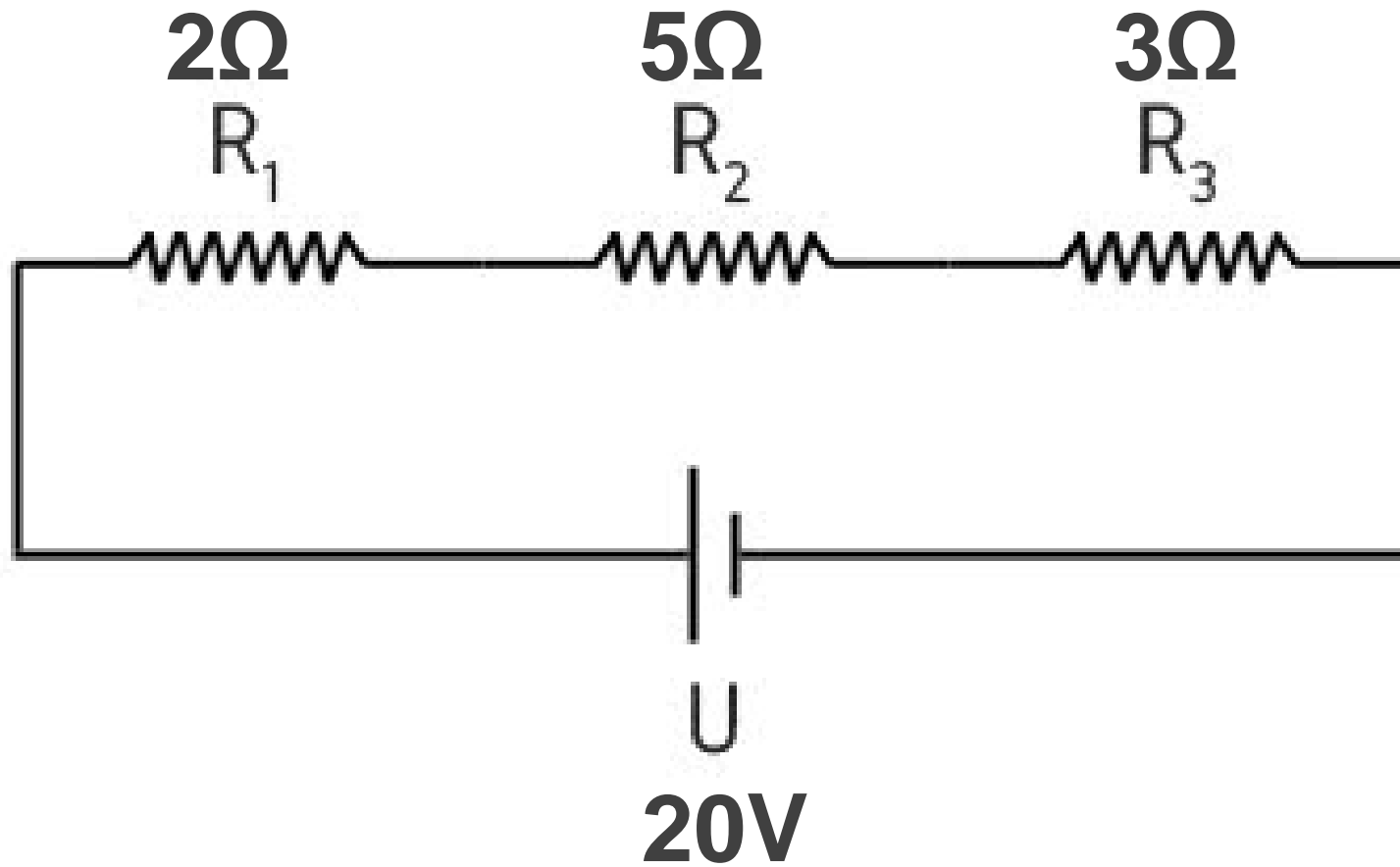
$$U = R \cdot i$$



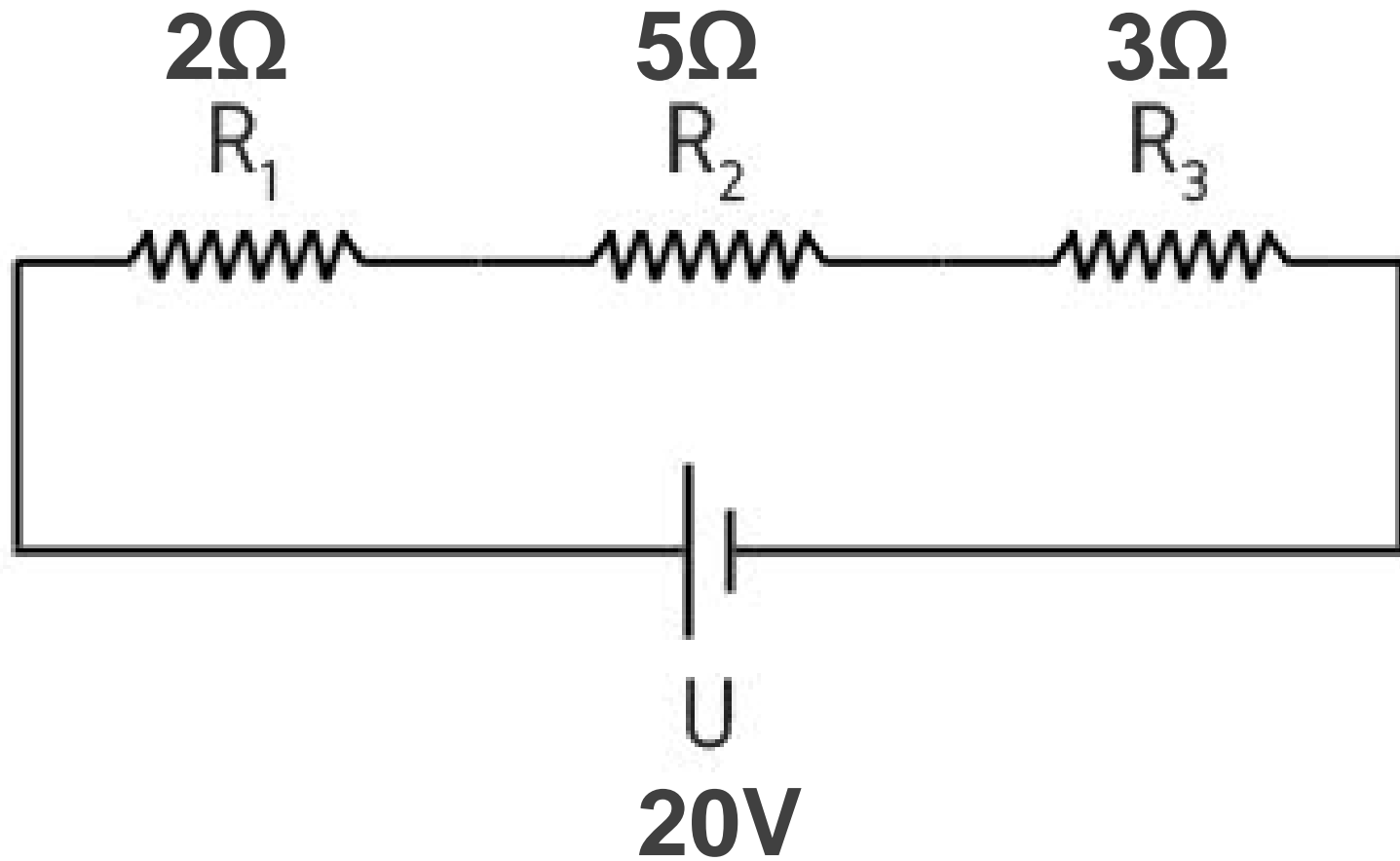


$$U = R \cdot i$$



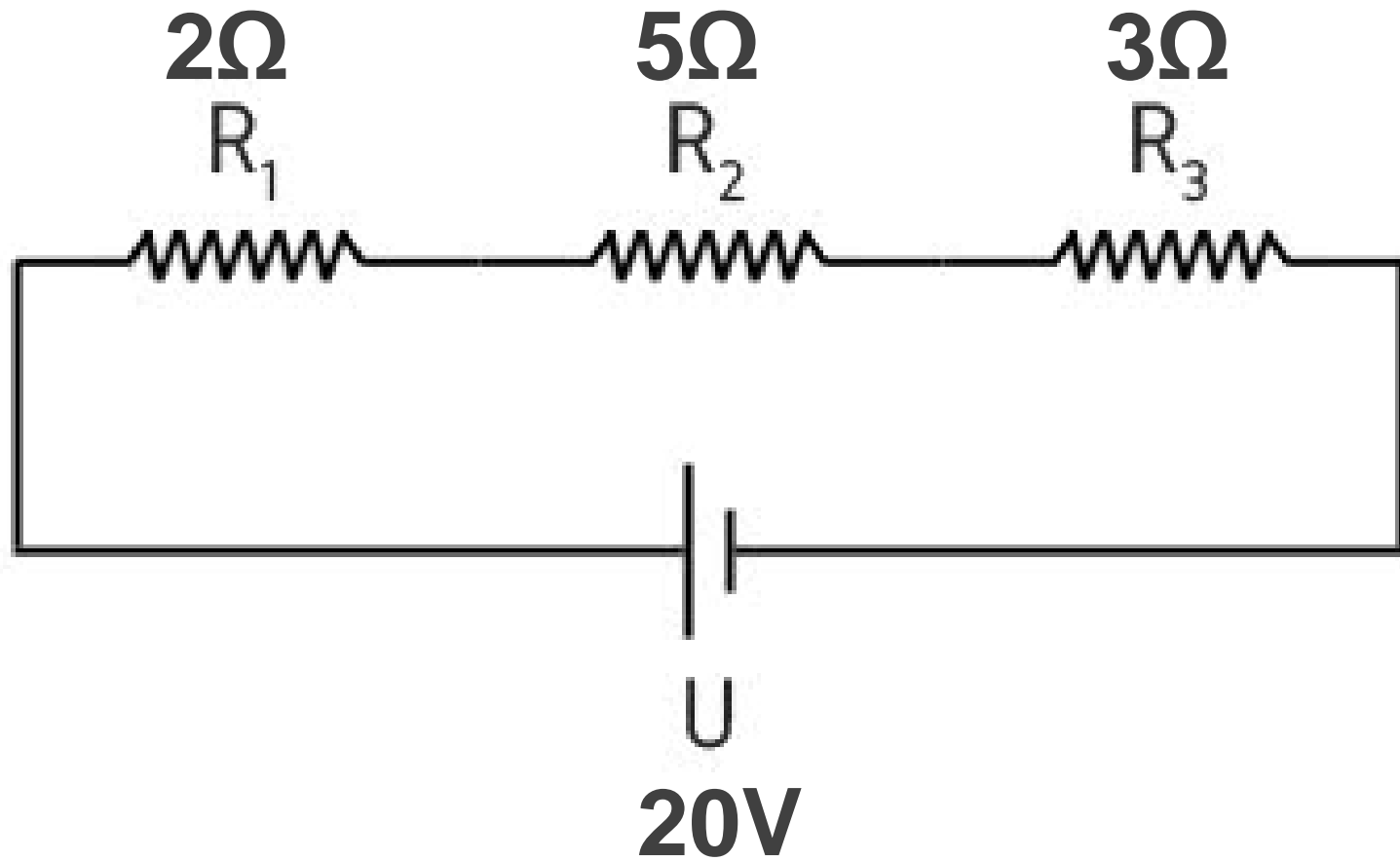


$$U = R \cdot i$$



$$U = R \cdot i$$

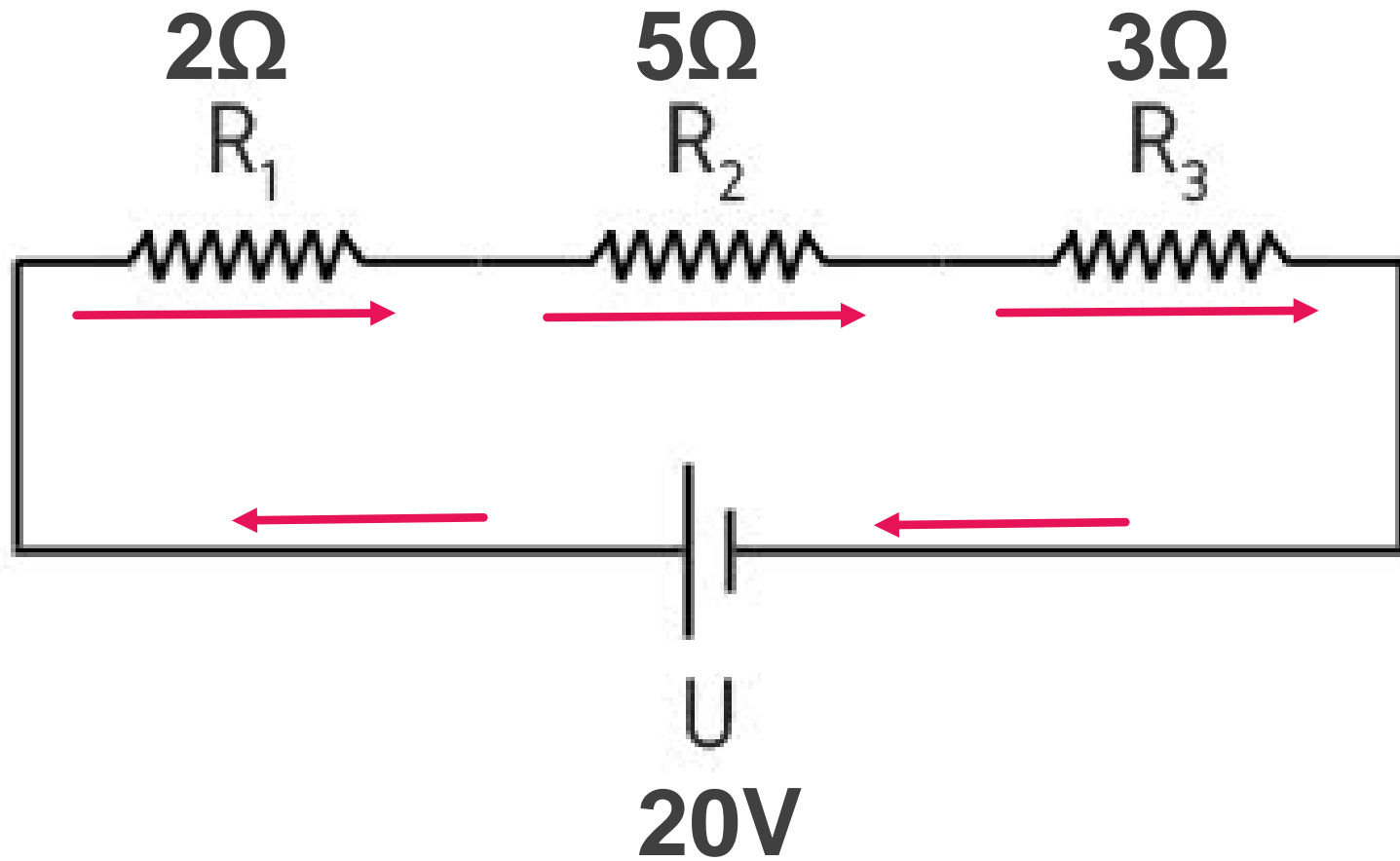
$$20 = 10 \cdot i$$



$$U = R \cdot i$$

$$20 = 10 \cdot i$$

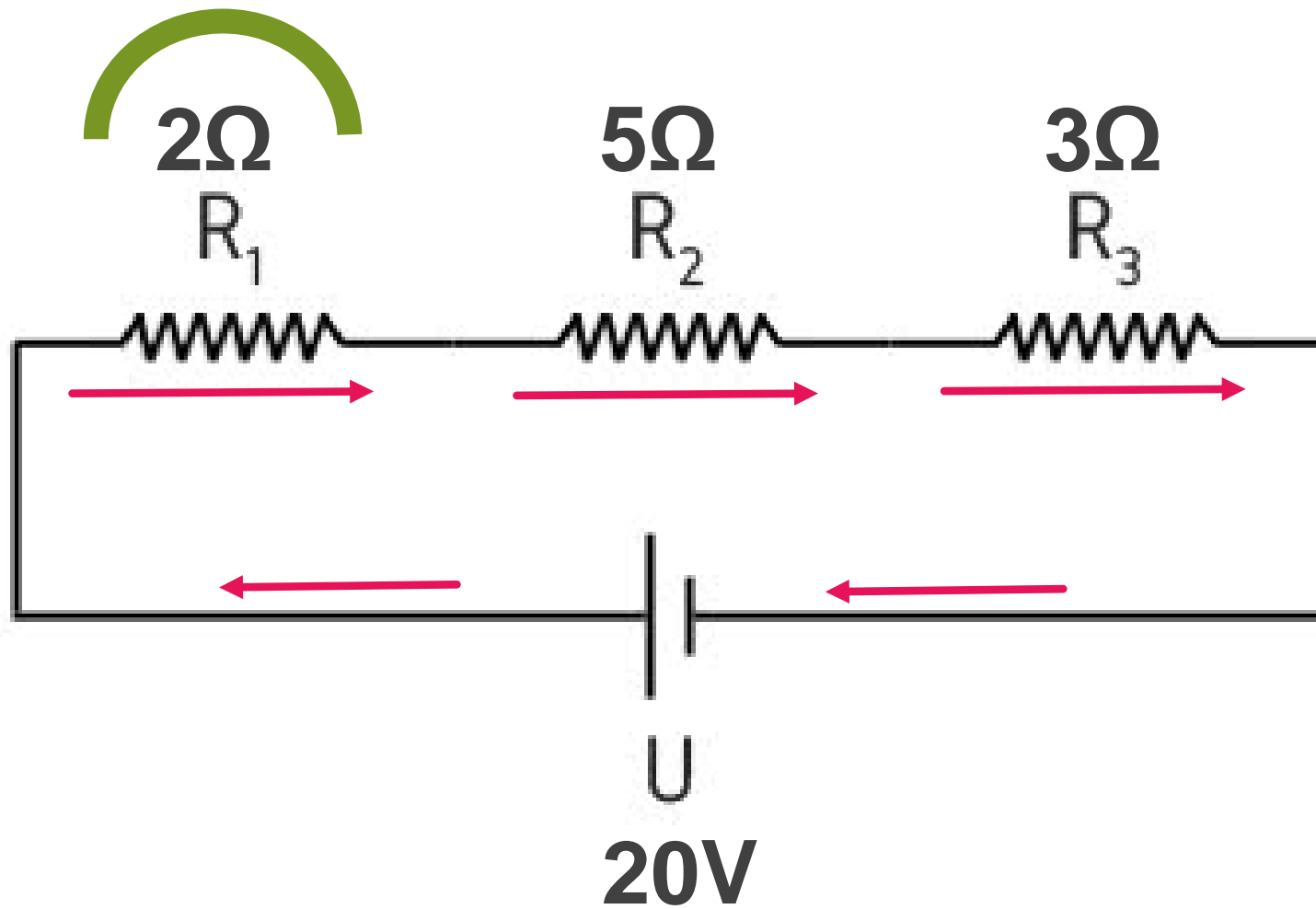
$$i = 2A$$



$$U = R \cdot i$$

$$20 = 10 \cdot i$$

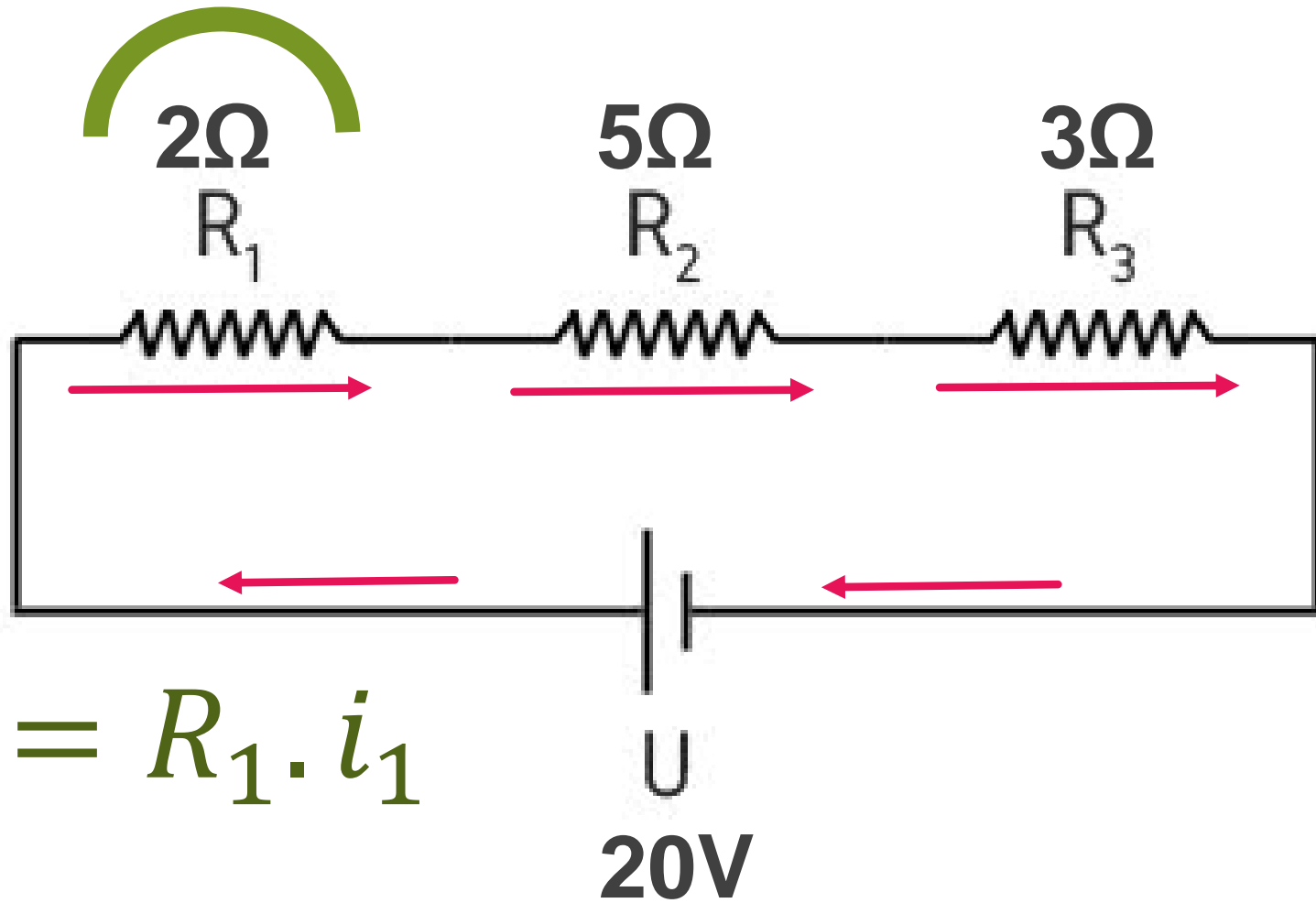
$$i = 2A$$



$$U = R \cdot i$$

$$20 = 10 \cdot i$$

$$i = 2A$$

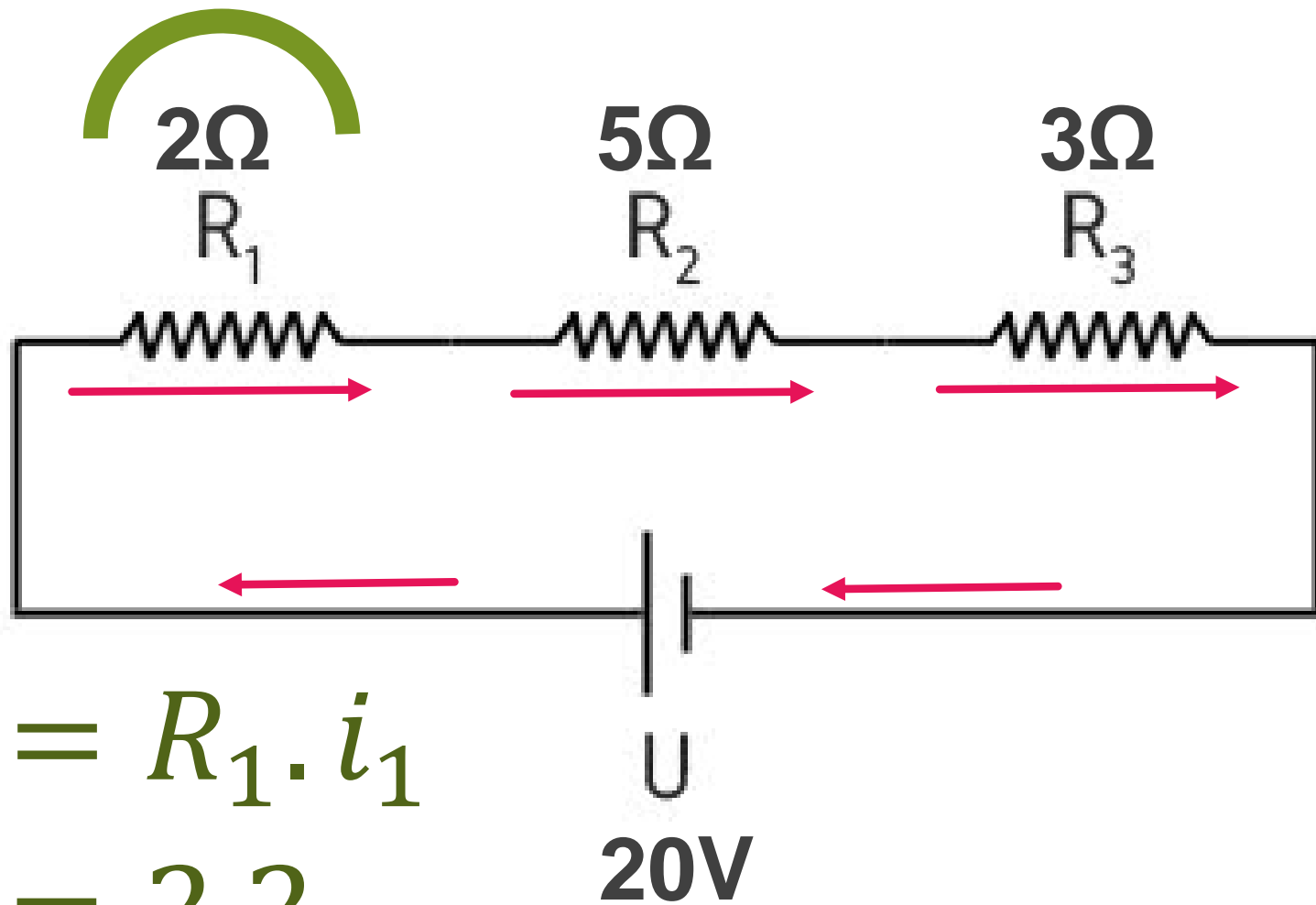


$$U_1 = R_1 \cdot i_1$$

$$U = R \cdot i$$

$$20 = 10 \cdot i$$

$$i = 2A$$



$$U = R \cdot i$$

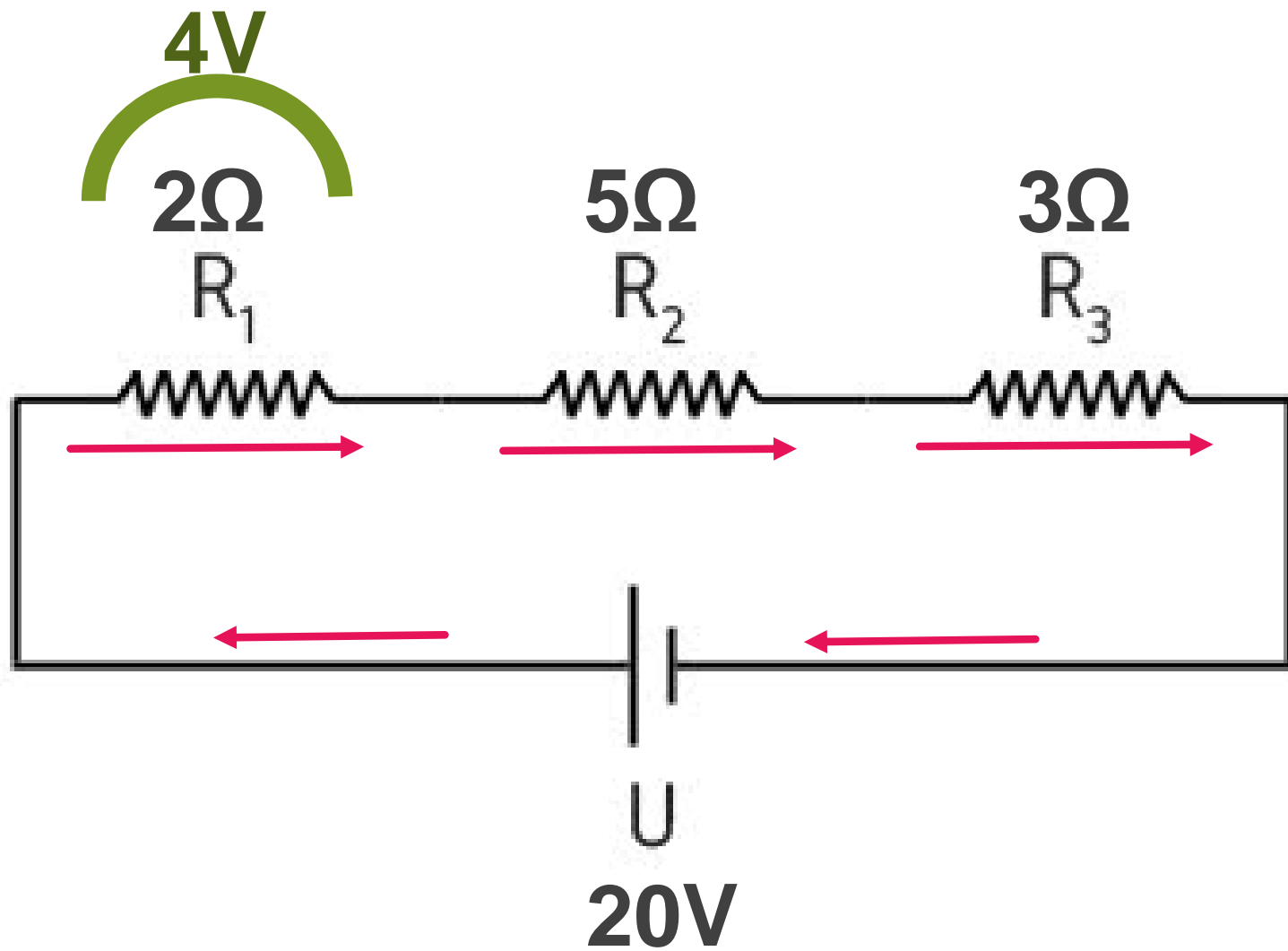
$$20 = 10 \cdot i$$

$$i = 2A$$

$$U_1 = R_1 \cdot i_1$$

$$U_1 = 2 \cdot 2$$

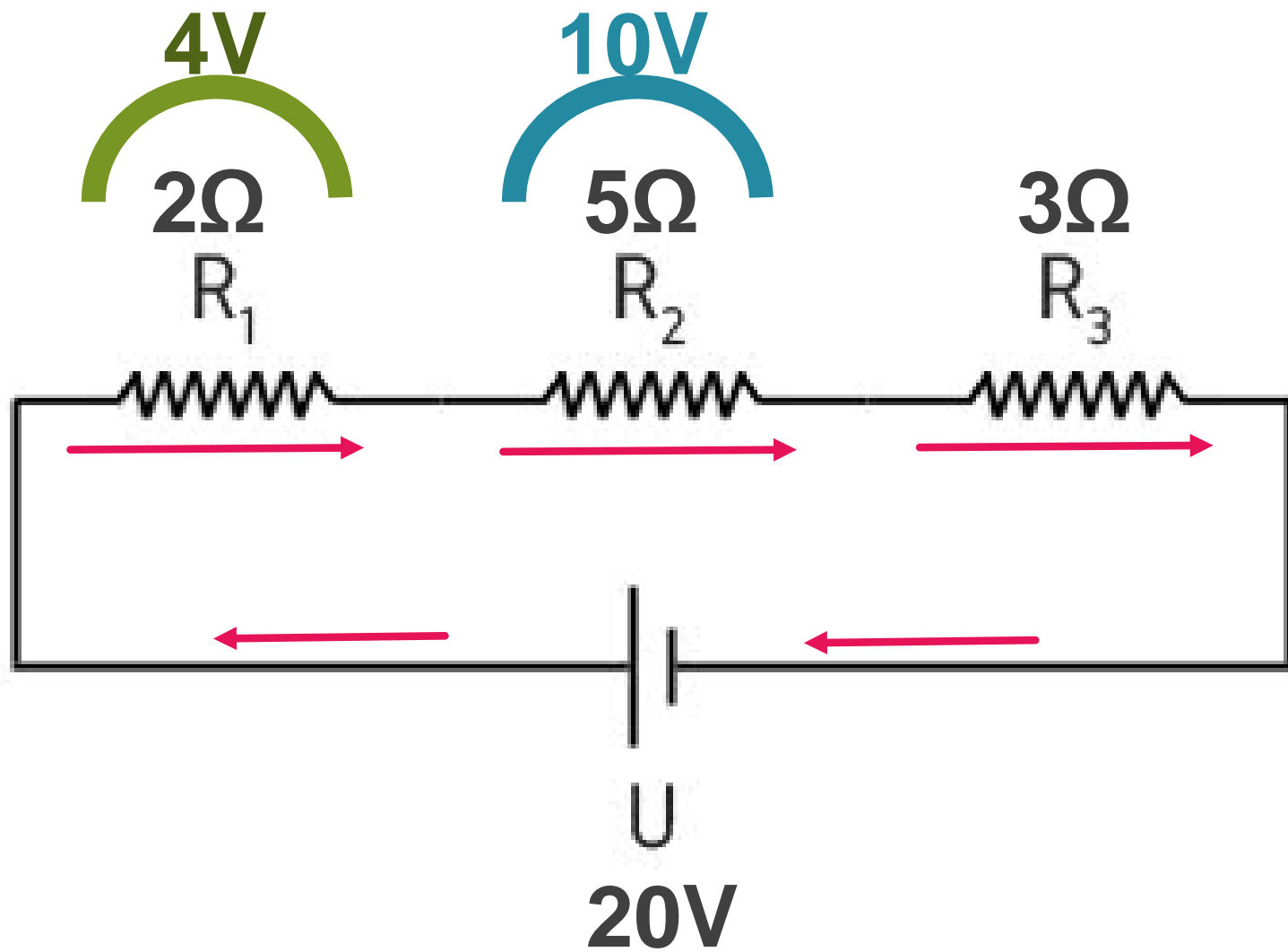
$$U_1 = 4V$$



$$U = R \cdot i$$

$$20 = 10 \cdot i$$

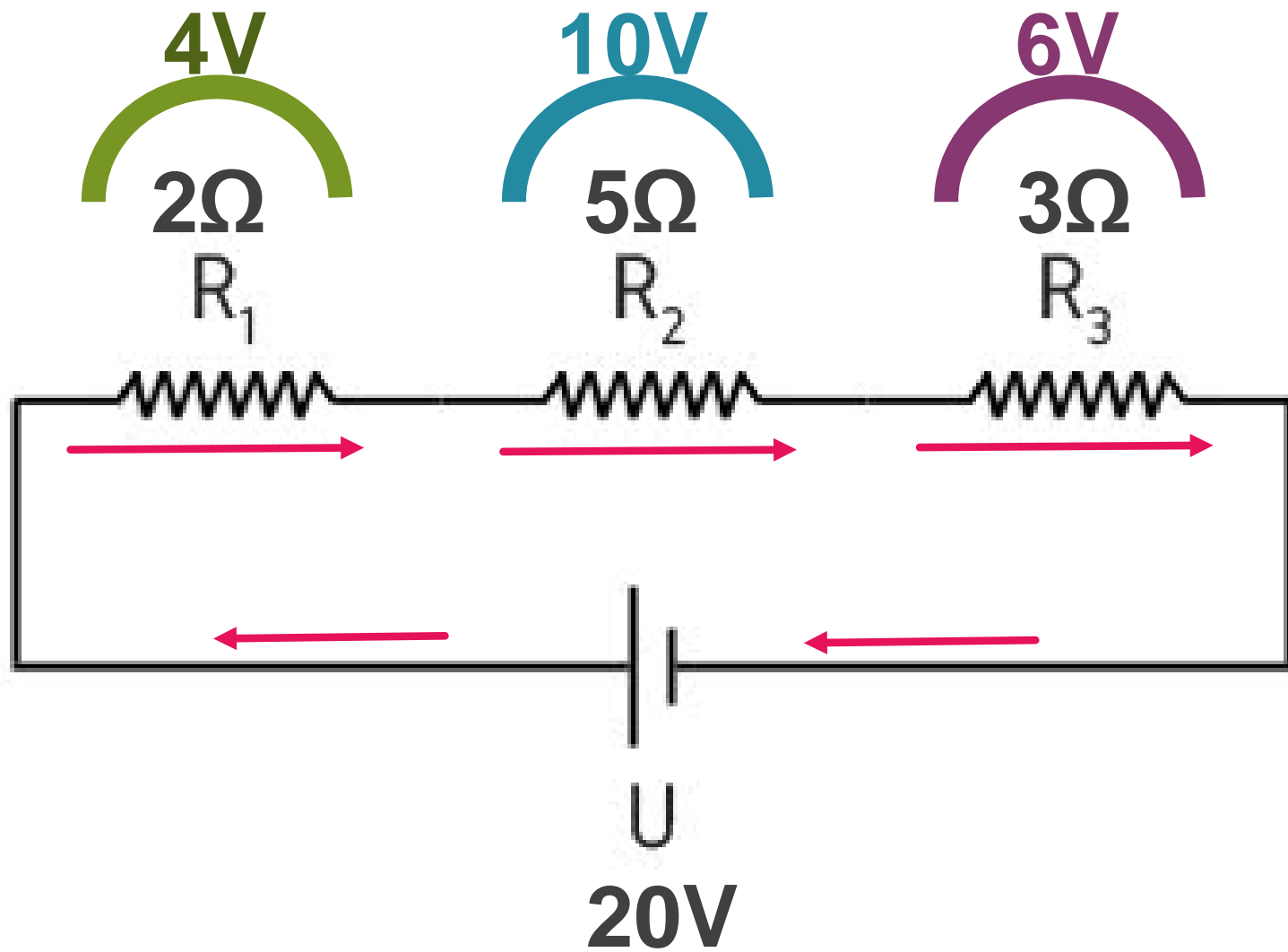
$$i = 2A$$



$$U = R \cdot i$$

$$20 = 10 \cdot i$$

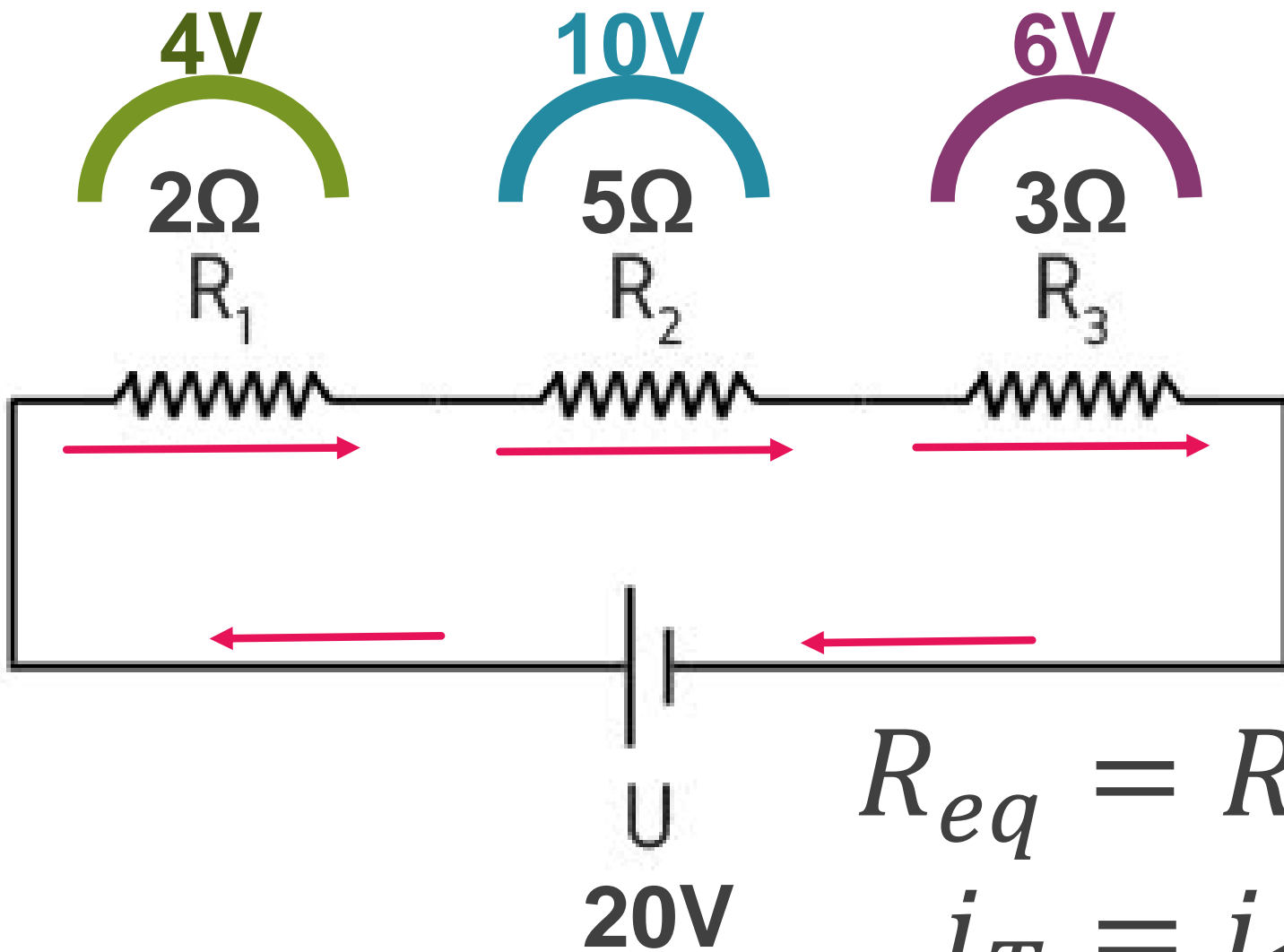
$$i = 2A$$



$$U = R \cdot i$$

$$20 = 10 \cdot i$$

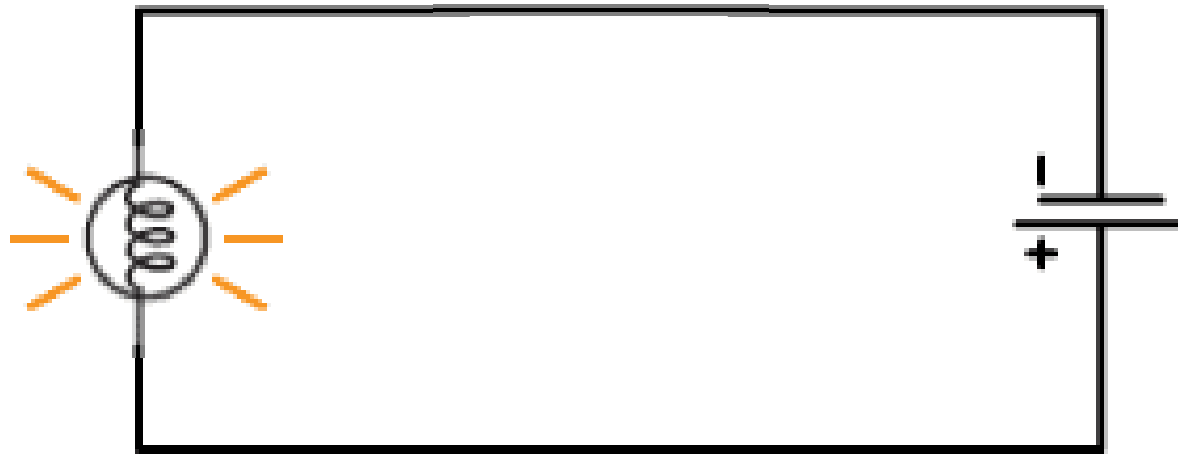
$$i = 2A$$



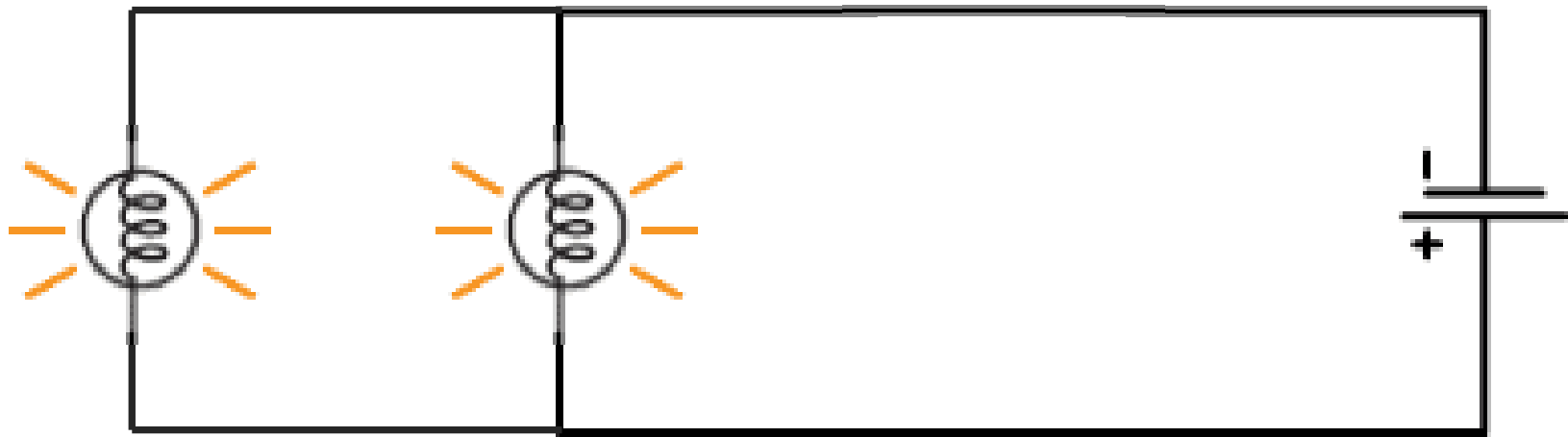
$$R_{eq} = R_1 + R_2 + R_3$$

$$i_T = i_1 = i_2 = i_3$$

$$U_T = U_1 + U_2 + U_3$$



$$U = R \cdot i$$



$$U = R \cdot i$$

$$U = R \cdot i$$



$$U = R \cdot i$$

$$U = R \cdot i \quad 12 = 3 \cdot i$$



$$U = R \cdot i \quad 12 = 6 \cdot i$$

$$U = R \cdot i \quad 12 = 3 \cdot i \quad i = 4A$$

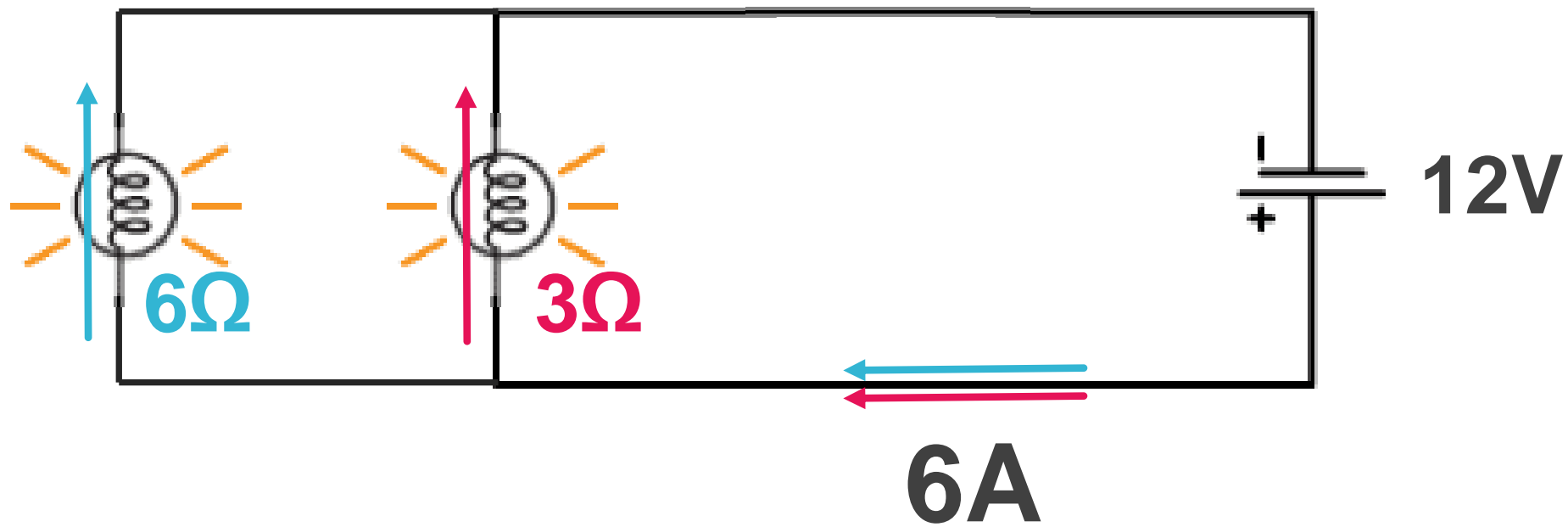


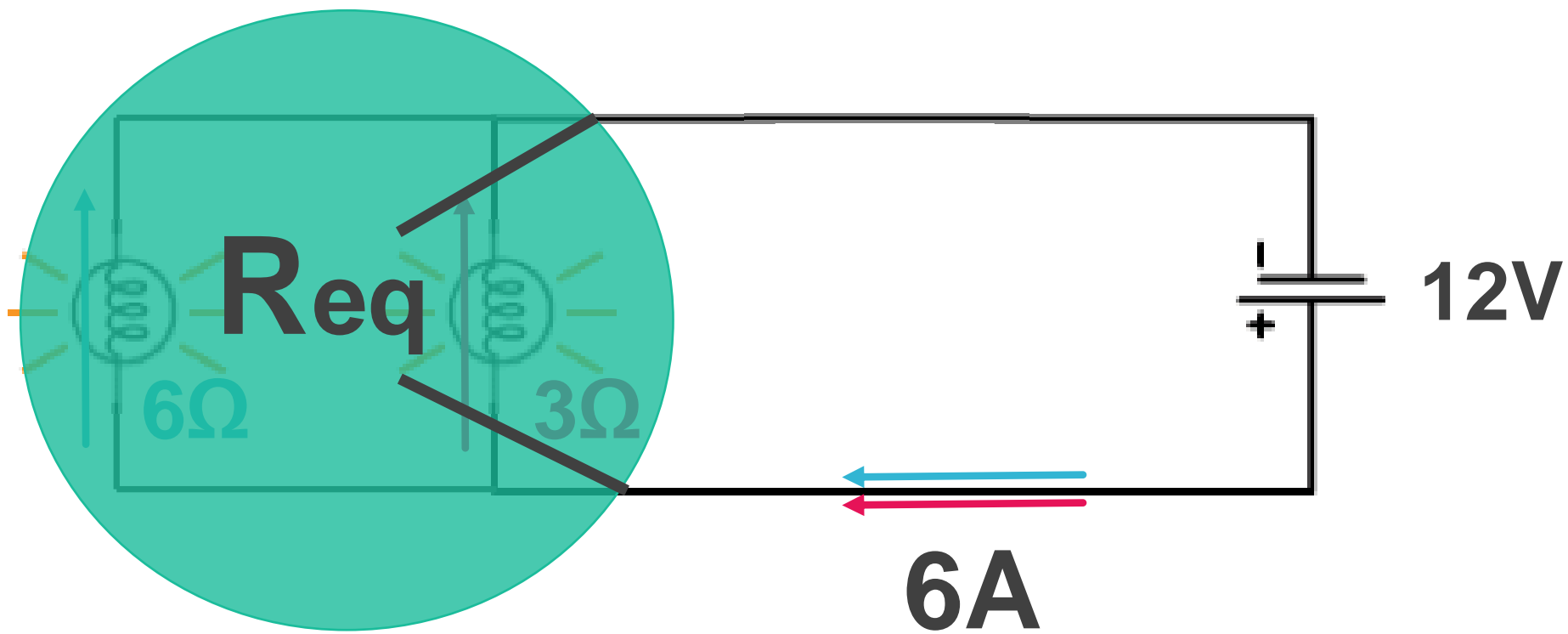
$$U = R \cdot i \quad 12 = 6 \cdot i \quad i = 2A$$

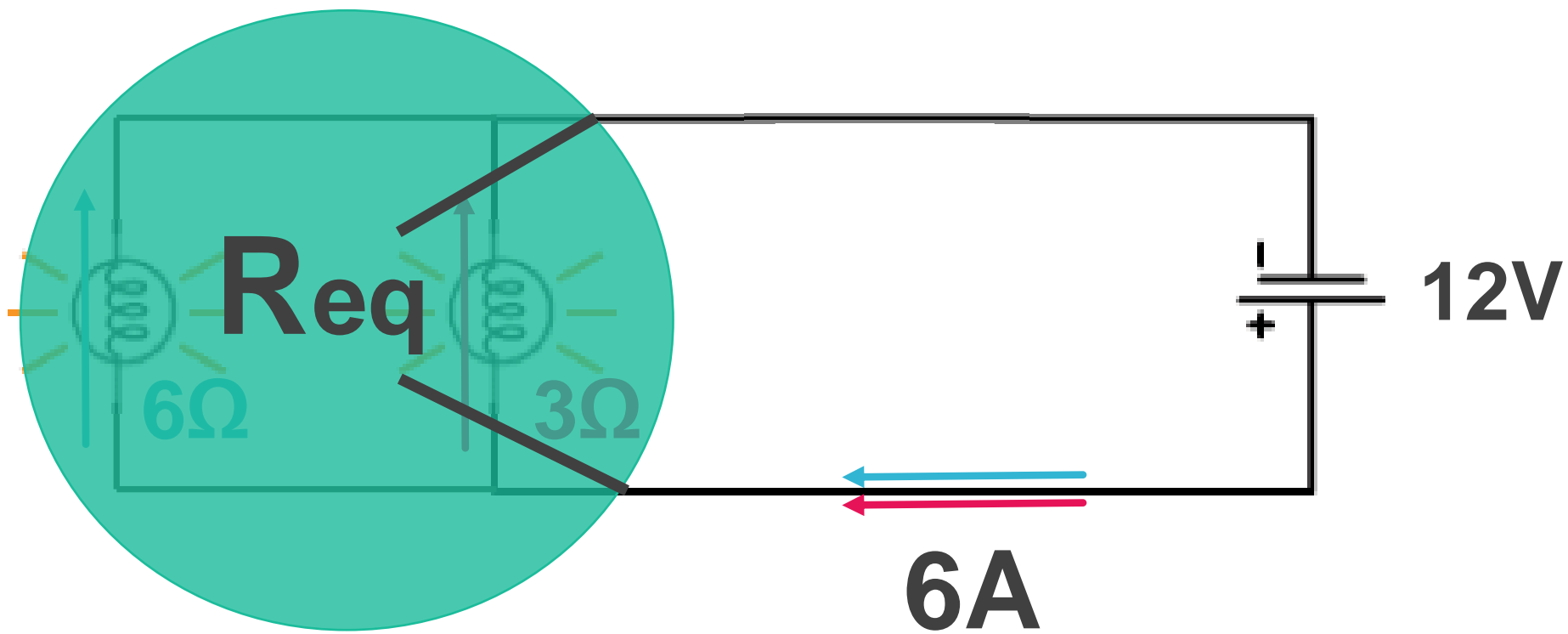
$$U = R \cdot i \quad 12 = 3 \cdot i \quad i = 4A$$



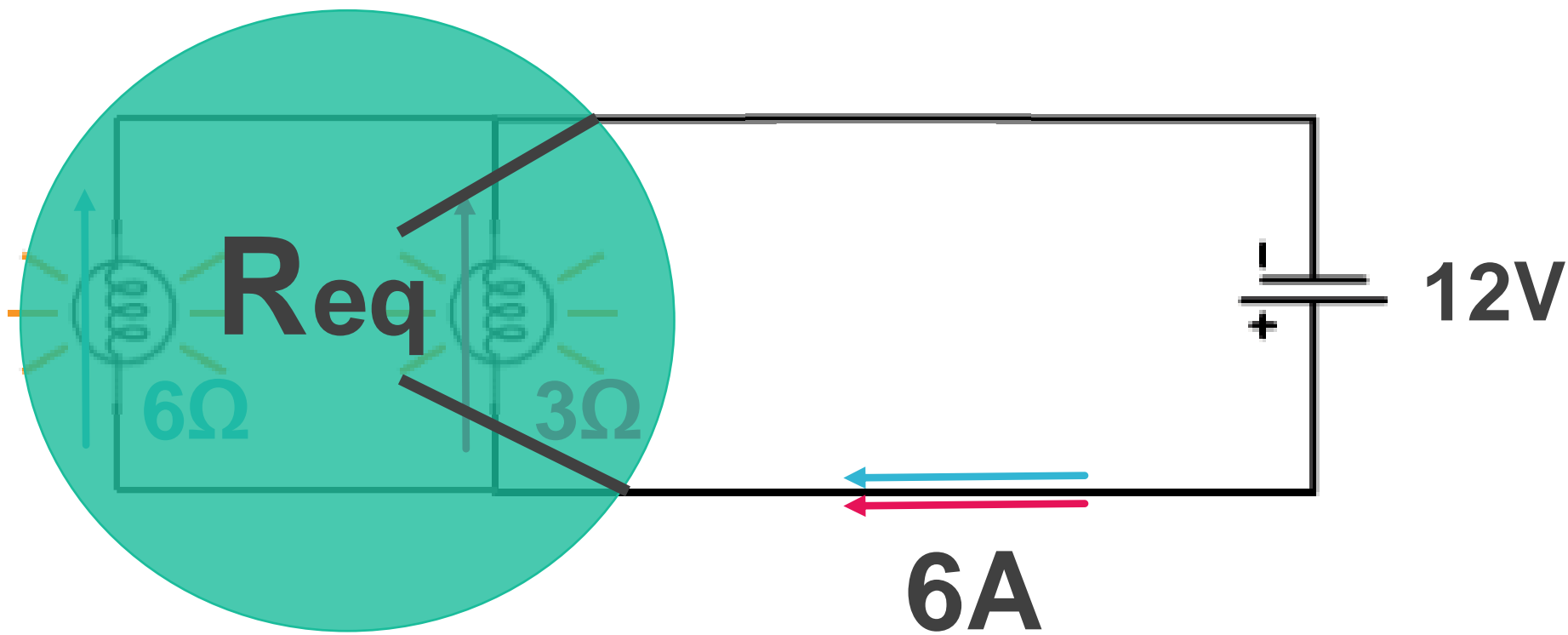
$$U = R \cdot i \quad 12 = 6 \cdot i \quad i = 2A$$



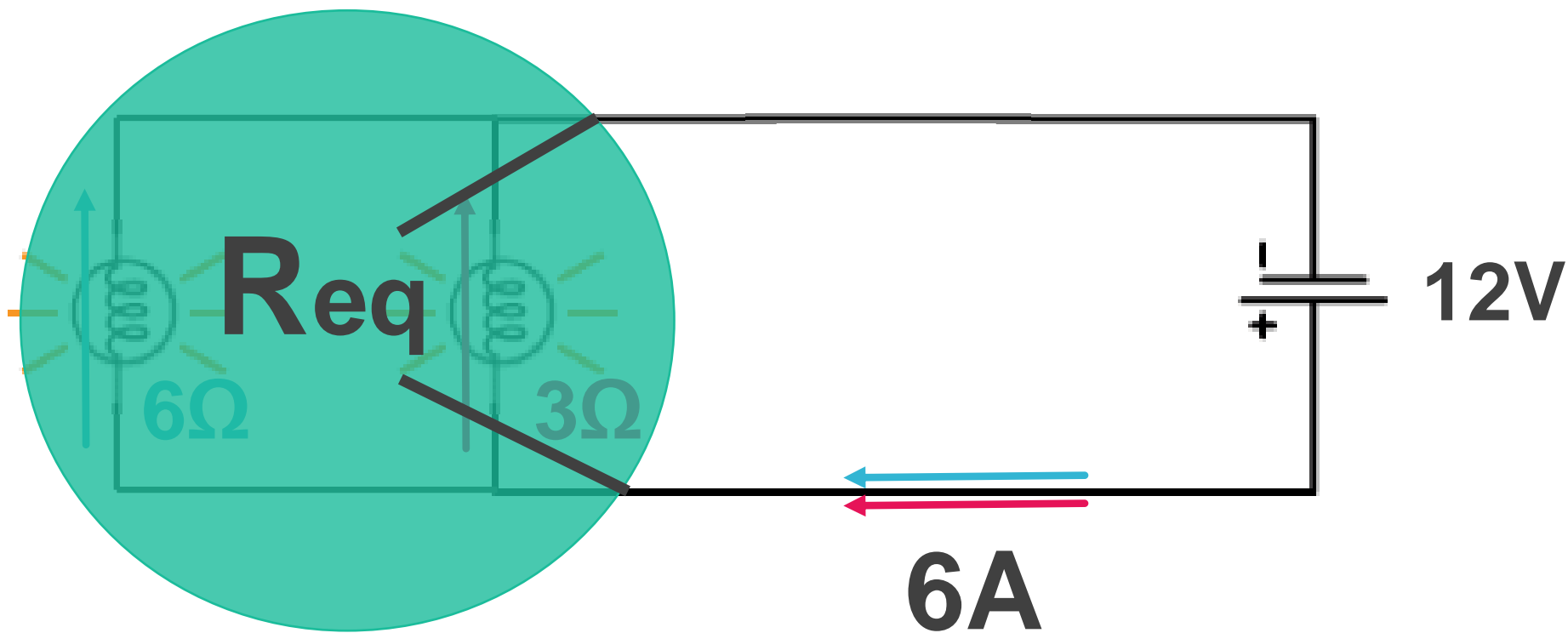




$$U = R \cdot i$$



$$U = R \cdot i \quad 12 = R \cdot 6$$



$$U = R \cdot i \quad 12 = R \cdot 6 \quad R = 2\Omega$$



$$\frac{1}{R_{eq}} = \frac{1}{R1} + \frac{1}{R2}$$



$$\frac{1}{R_{eq}} = \frac{1}{R1} + \frac{1}{R2}$$

$$\frac{1}{R_{eq}} = \frac{1}{6} + \frac{1}{3}$$



$$\frac{1}{R_{eq}} = \frac{1}{R1} + \frac{1}{R2}$$

$$\frac{1}{R_{eq}} = \frac{1}{6} + \frac{1}{3}$$

$$\frac{1}{R_{eq}} = \frac{1}{2}$$

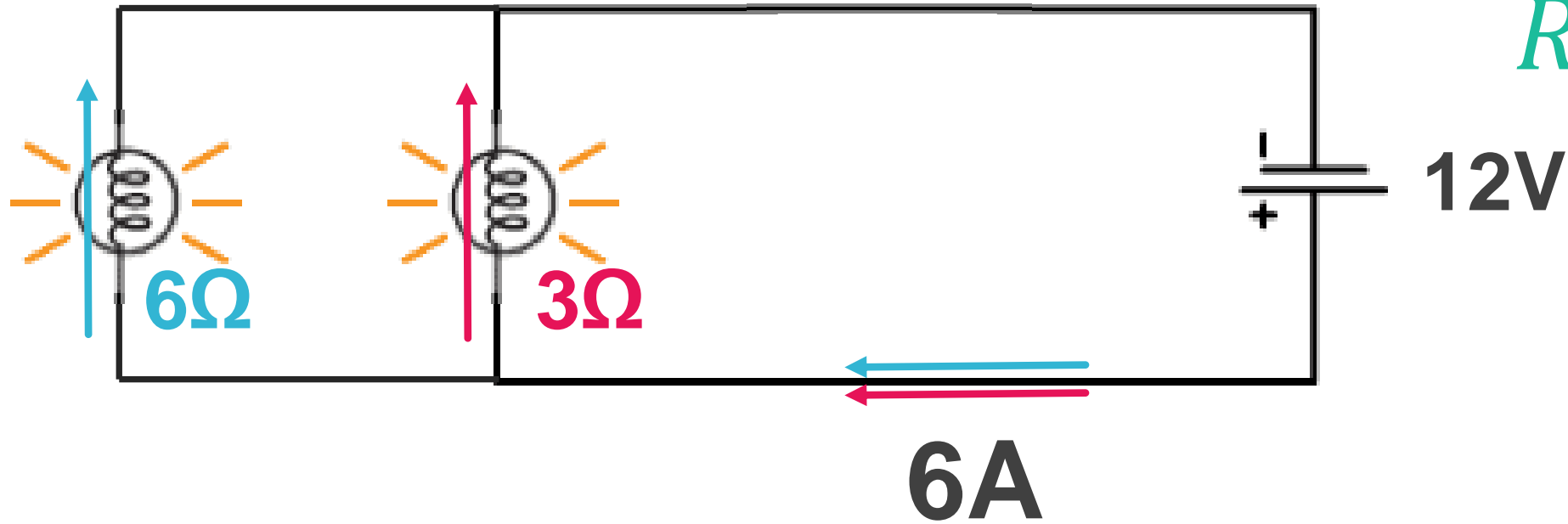


$$\frac{1}{R_{eq}} = \frac{1}{R1} + \frac{1}{R2}$$

$$\frac{1}{R_{eq}} = \frac{1}{6} + \frac{1}{3}$$

$$\frac{1}{R_{eq}} = \frac{1}{2}$$

$$R_{eq} = 2\Omega$$





x
—
+

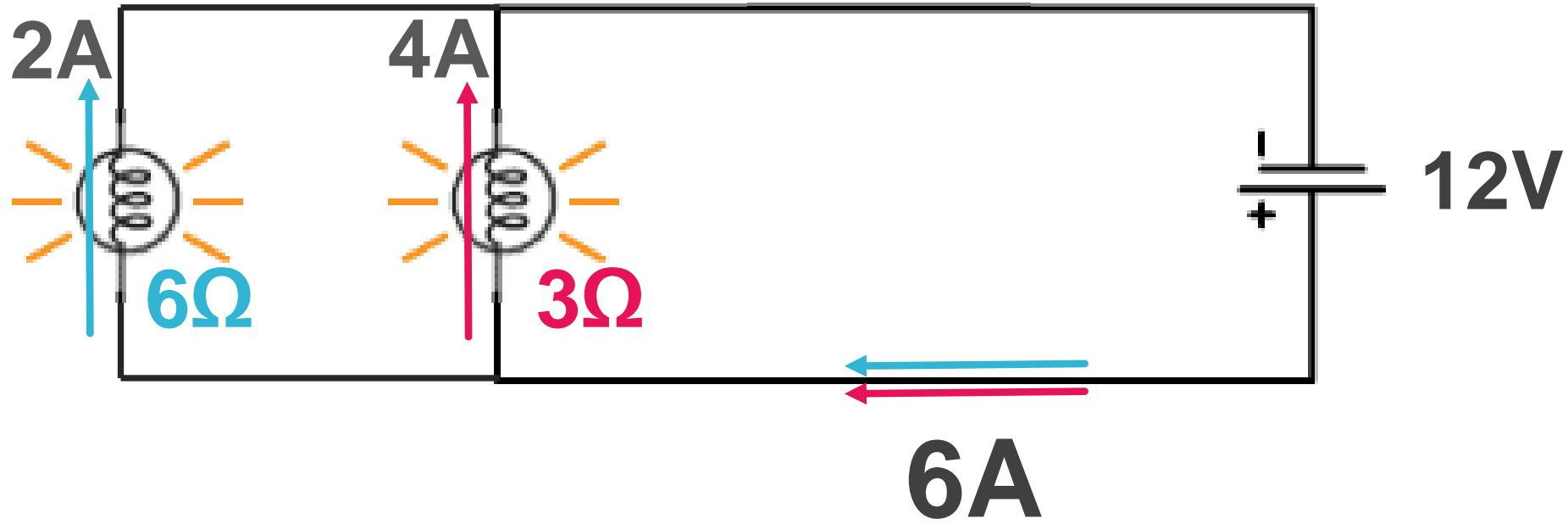


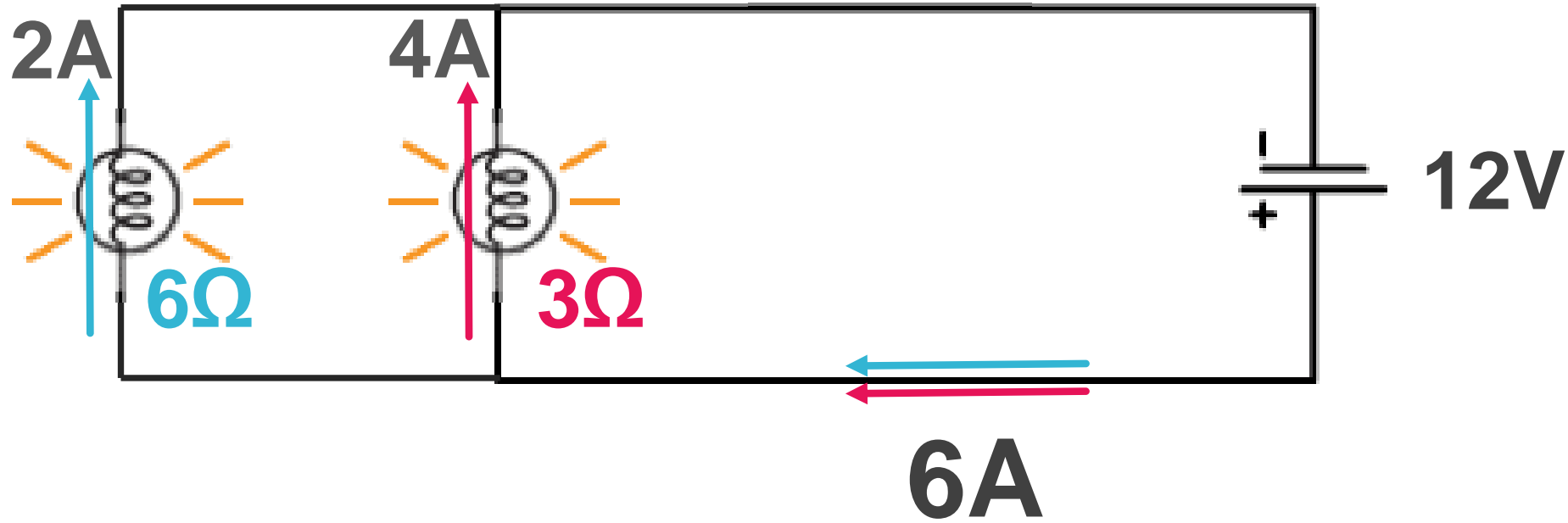
$$\frac{x}{+} = \frac{6 \times 3}{6 + 3}$$



$$\frac{x}{+} = \frac{6 \times 3}{6 + 3} = \frac{18}{9} = 2\Omega$$



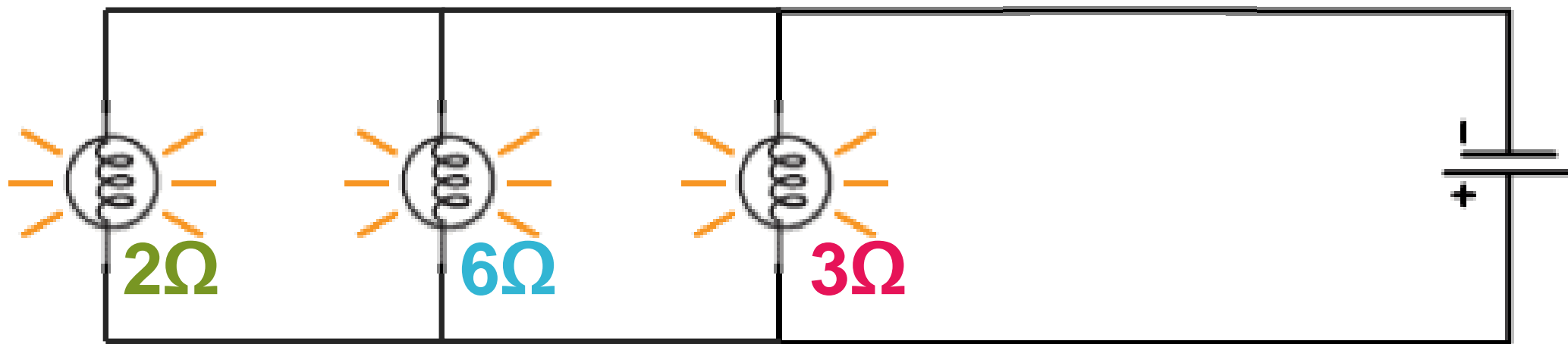


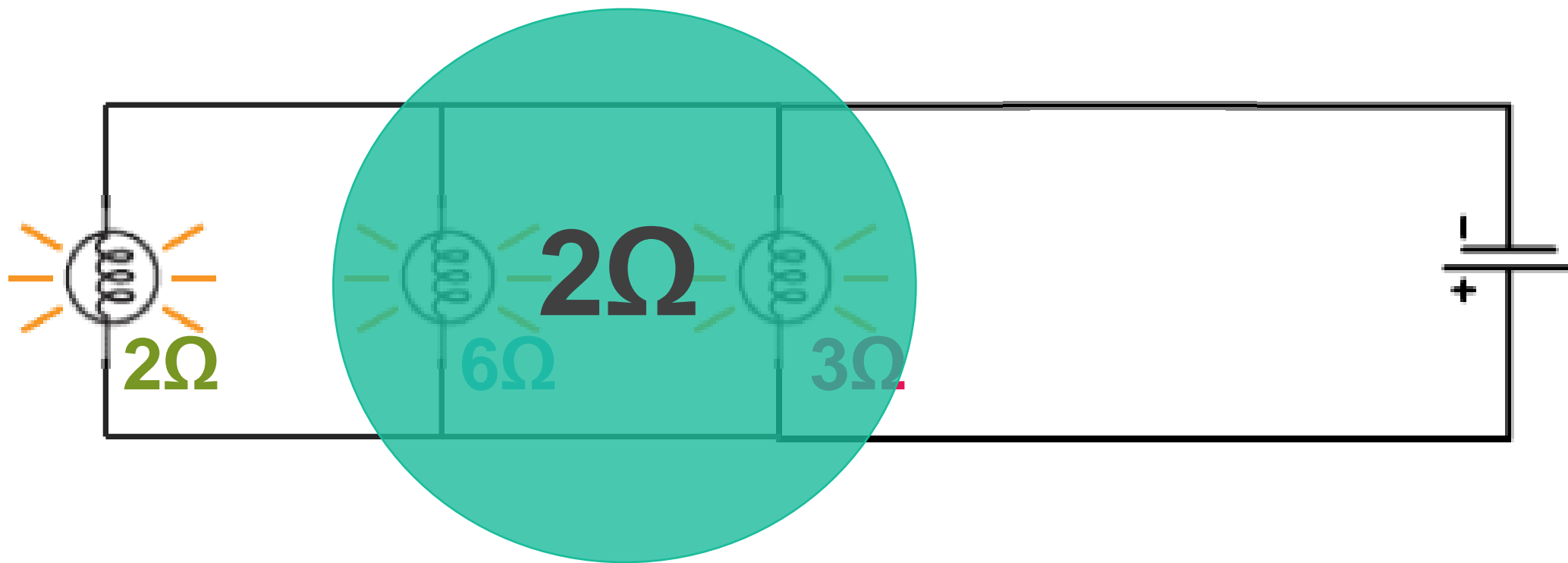


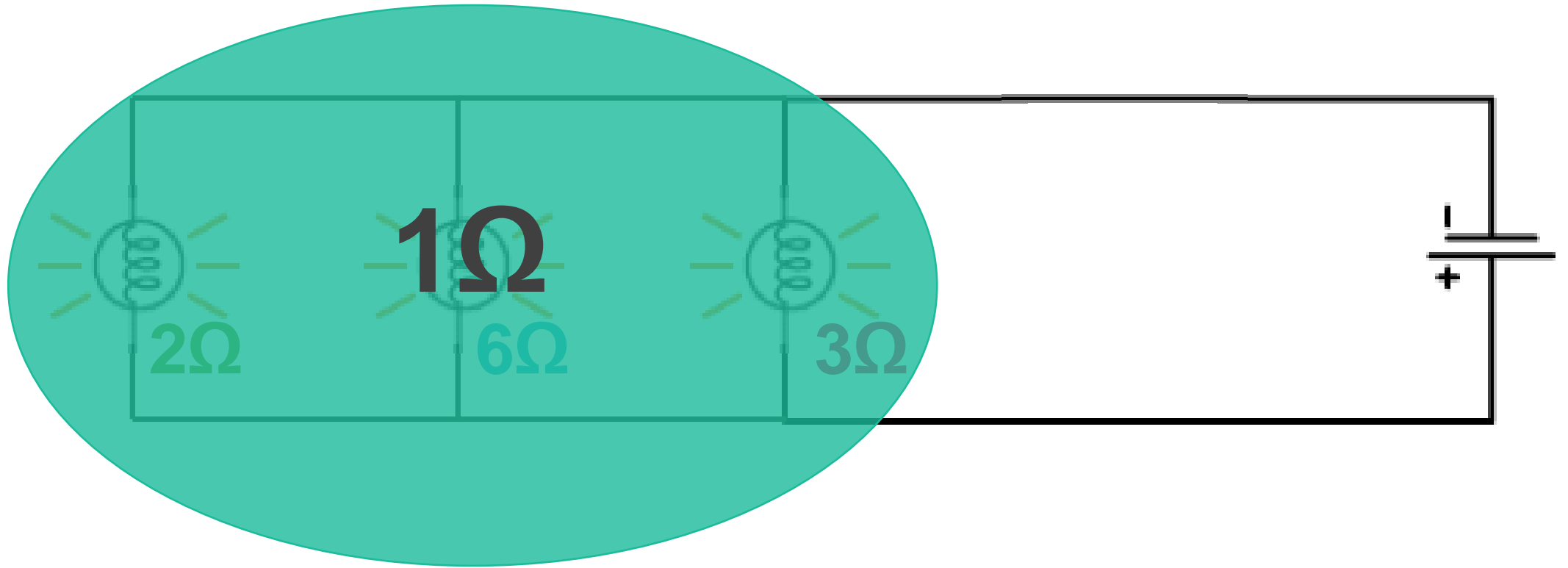
$$\frac{1}{R_{eq}} = \frac{1}{R_1} + \frac{1}{R_2} + \frac{1}{R_3}$$

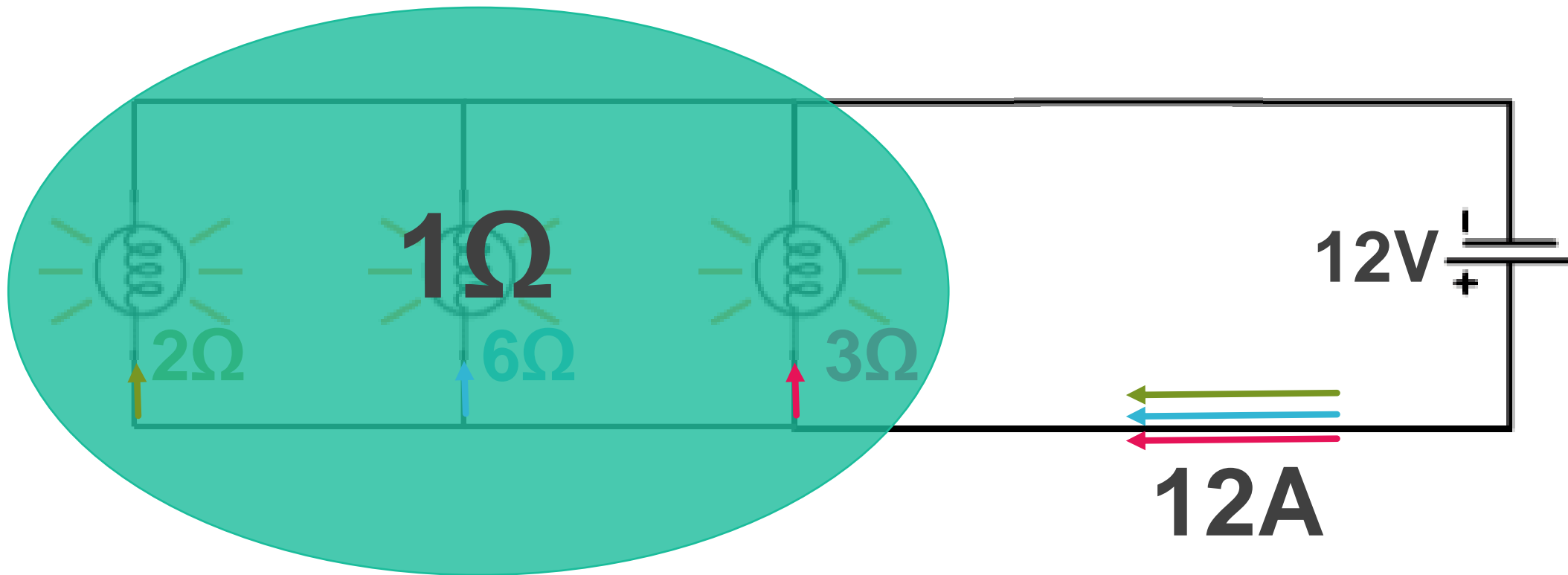
$$i_T = i_1 + i_2 + i_3$$

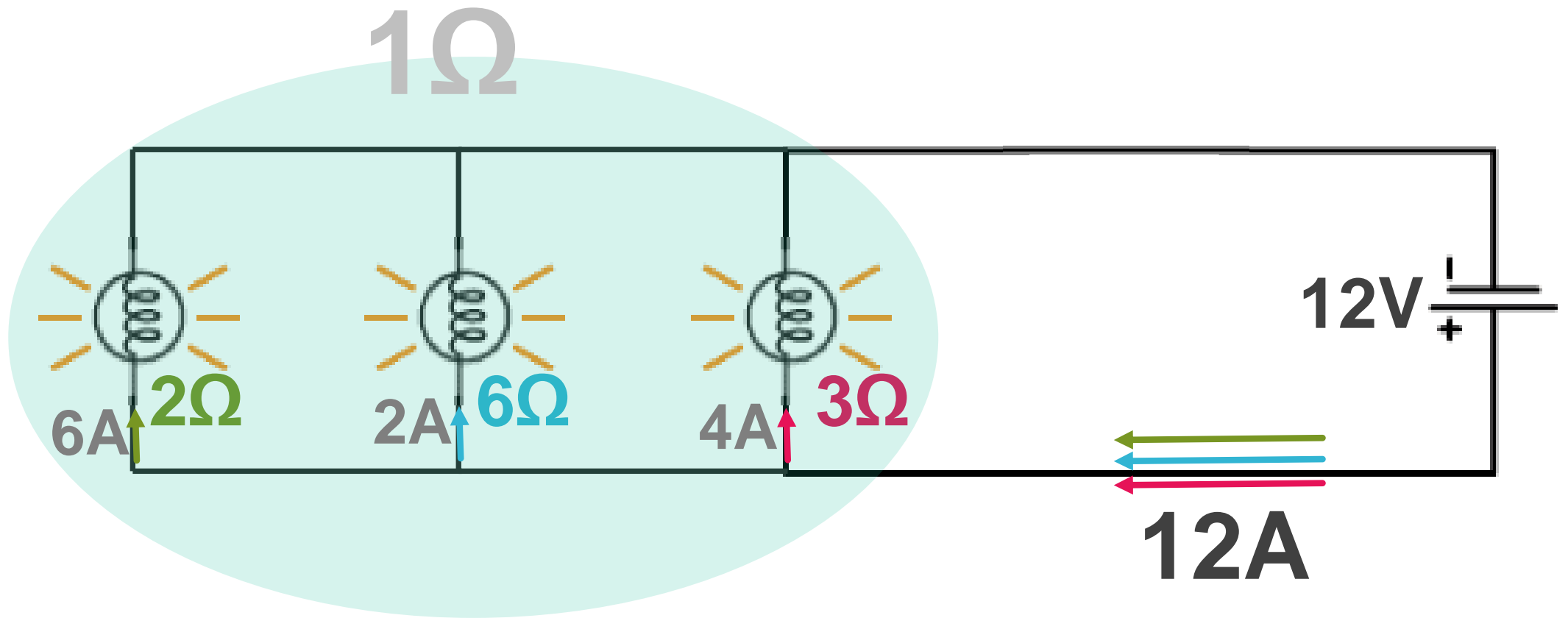
$$U_T = U_1 = U_2 = U_3$$

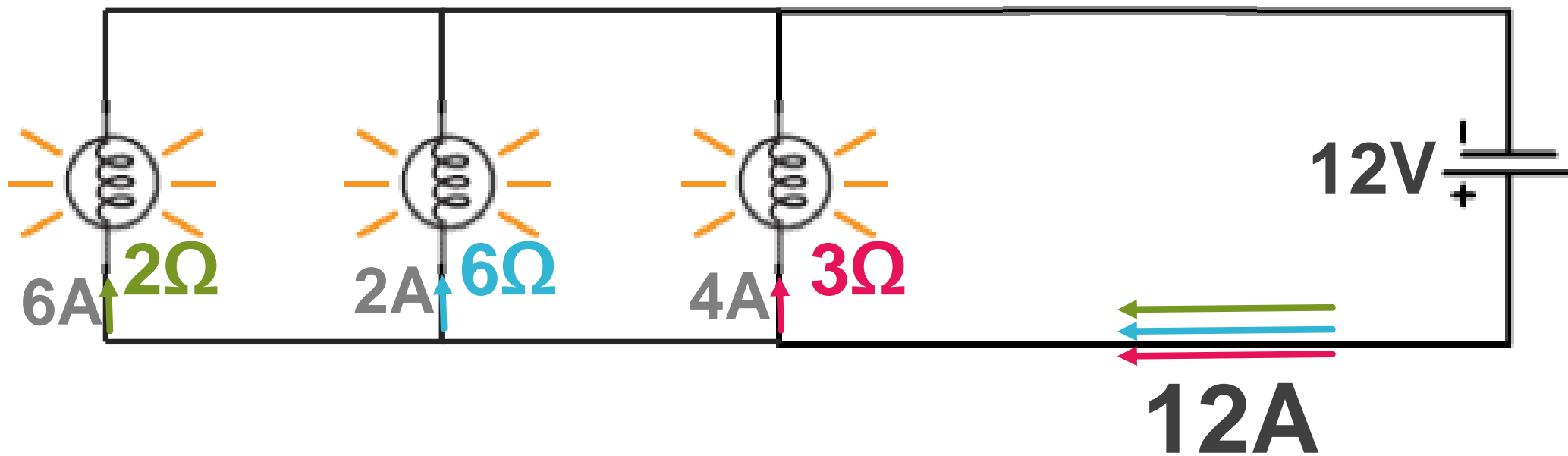


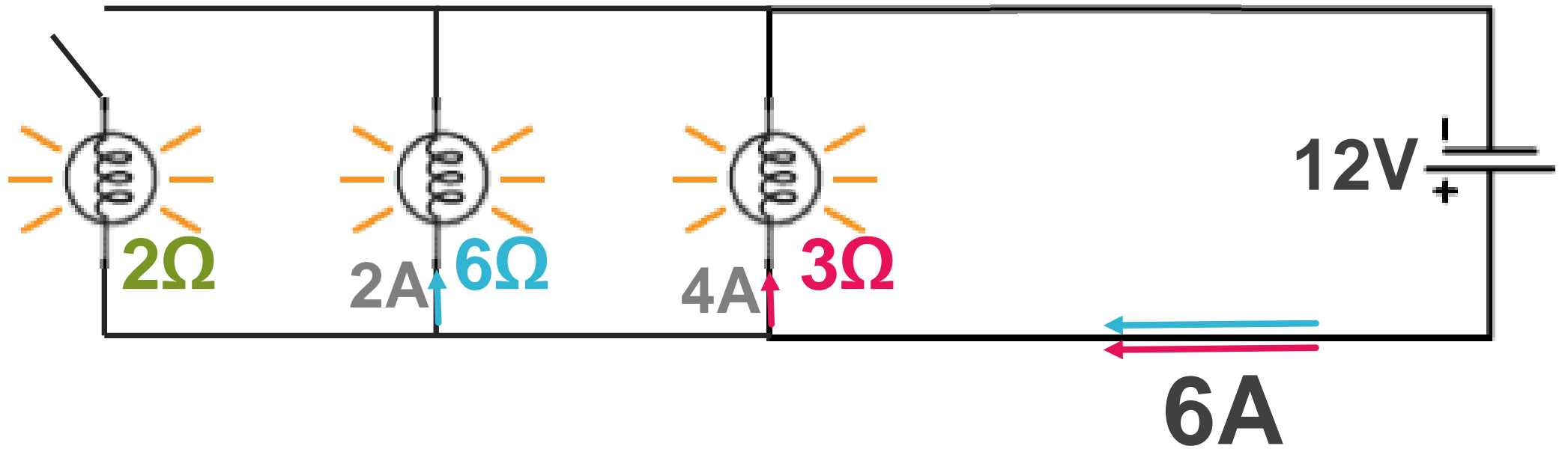


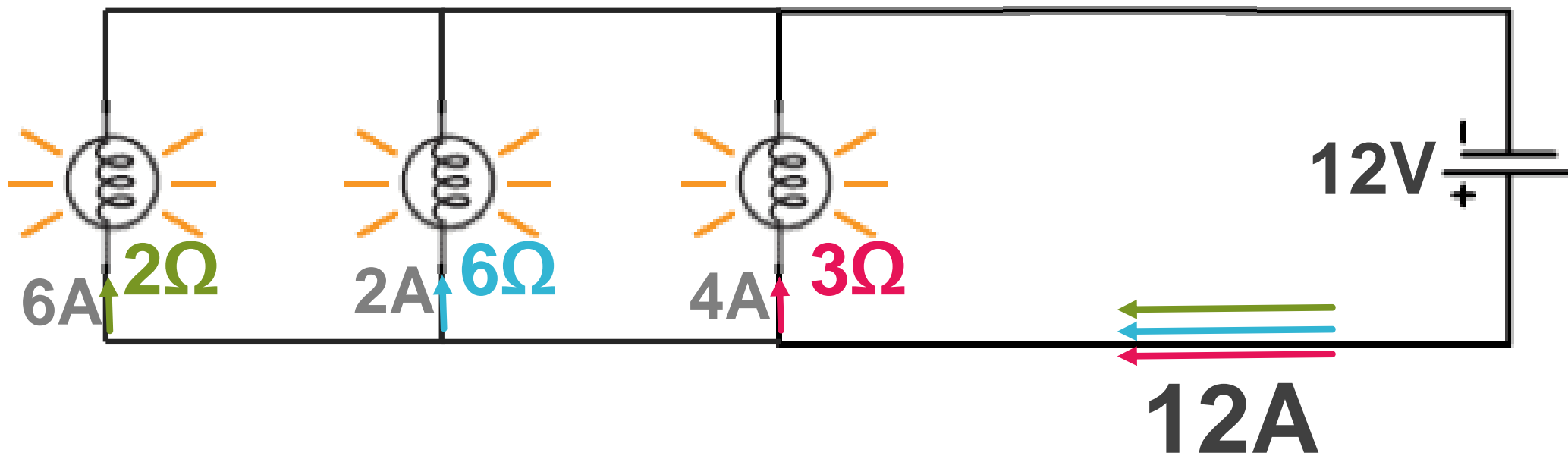


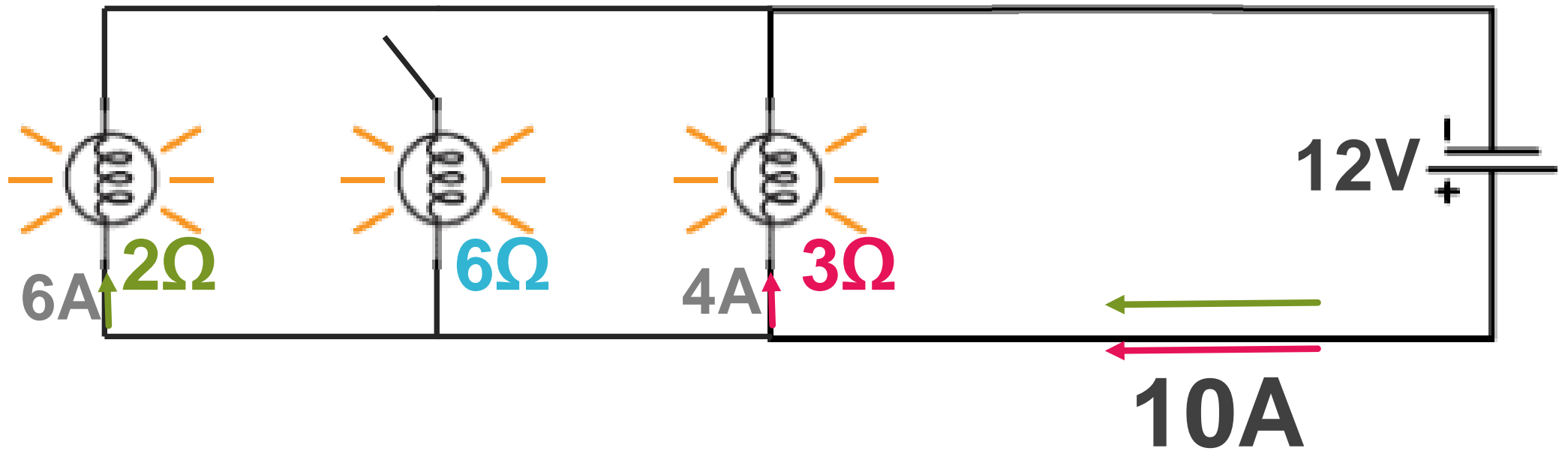












Associação de resistores

Prof. Jadoski

Física