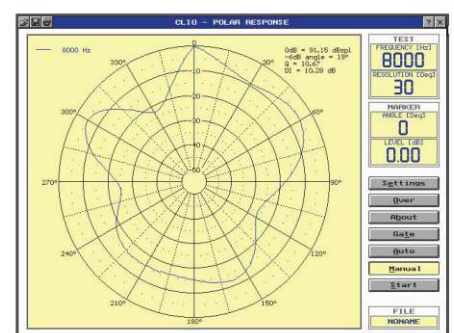
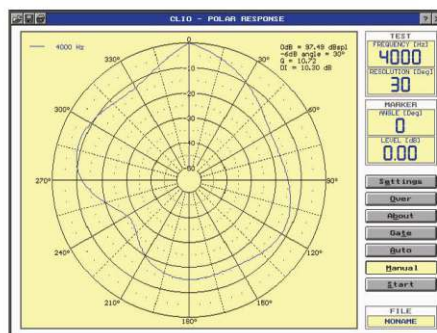
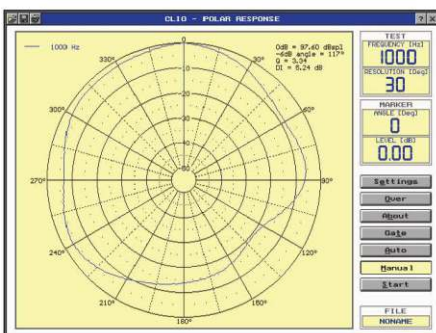
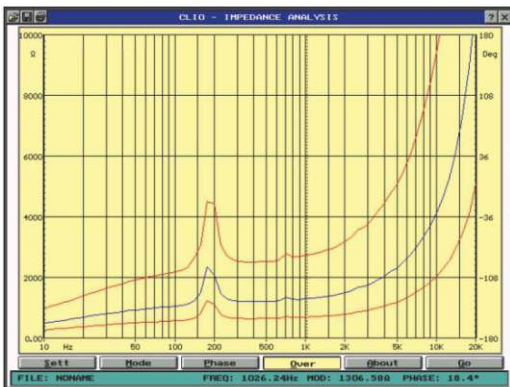
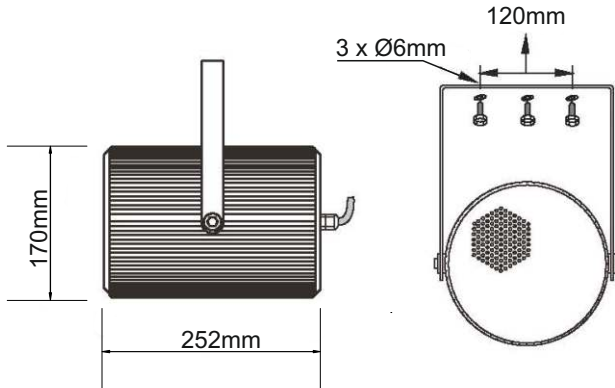


## CESL 20T

### ALUMINIUM WEATHER-PROOF SOUND PROJECTOR



#### Specifications

##### GENERAL SPECIFICATIONS

Frequency response	110 - 15Khz
Sensitivity (1W,1m)	92±3dB
Power handling	20W
Power taps	5W / 10W / 20W
Line input	100V
Dimensions	Ø170mm x 252

##### PHYSICAL SPECIFICATIONS

Material	Aluminum (white RAL 9016)
Component	6,5"
Grill	Powder coated aluminum mesh
Finished colour	White RAL 9016
Unit weight	2,8kg
Gross weight	20kg / 6pcs
Packing dimension	65cm x 44cm x 37cm

##### WOOFER SPEAKER SPECIFICATIONS

Voice coil size	PSV Ø 19,43 x 0,12 x 2 layer
DC impedance	7 Ohm
Former	Paper
Magnet	Ferrite
Basket	Iron
Cone material	Paper
Spider	Cloth
Dust cap	Paper cup
Net weight	620gr.