

**MSP 420 TW/EN**  
SOUND PROJECTOR

EN 54 - 24

Description

**Vandal-proof sound projectors for voice alarm system**

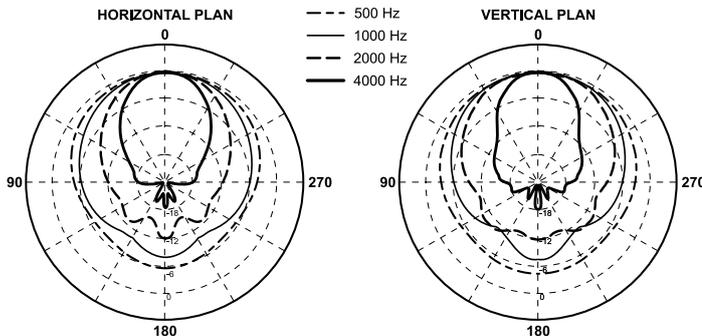
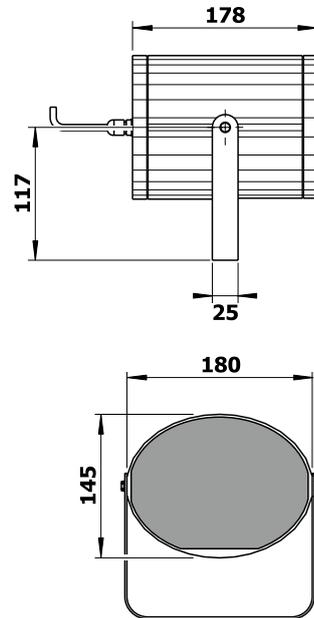
MSP 420 TW/EN vandal-proof sound projectors, characterised by an aluminium alloy housing and steel front grille, are fitted with fireproof cable according to UNI 9795 2010 (length 80cm). The fixing system makes mounting easy and enables the speaker unit to be turned in the best direction. These speaker units have been developed specifically for use in emergency and evacuation systems and each has its own ceramic terminal strip and thermal fuse. These ensure the protection of the line connecting the loudspeakers if a fire puts one or more of the speaker units connected to it out of use. The MSP 420 TW/EN sound projector has a loudspeaker with a constant voltage transformer (50, 70, 100V) and a swivelling bracket for wall-mounting it.



Technical data

Rated output	20W (100V)	
Nominal impedance (100V line)	500 Ohm (20W) 1000 Ohm (10W) 2000 Ohm (5W)	
Sensitivity	92dB (1W,1m)	
Max sound pressure SPL*	105dB (20W, 1m)	
Frequency response	150 - 15.000Hz (peak -10dB)	
Angles of dispersion (-6dB)	Horizontal	Vertical
	280° (500Hz)	360° (500Hz)
	190° (1kHz)	180° (1kHz)
	100° (2kHz)	130° (2kHz)
	70° (4kHz)	60° (4kHz)
Operating/storage temperature	-25°C + +55°C / -40°C + +70°C	
Relative humidity	<95%	
Dimensions	180 x 145 x 178mm	
Weight	2,4kg	

\* measurement made at the geometric center of the loudspeaker



Simulated free-field measurements.

