



FEATURES

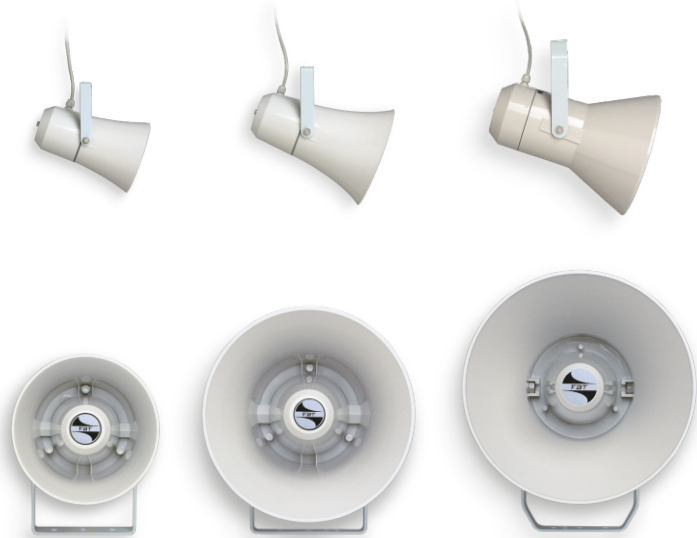
- High-efficiency output
- Choose 10, 20, 30 W output models
- Weather resistant
- Economical design

DESCRIPTION

The economical high-value FBT PH series paging projectors are well-designed, efficient, but economical. These 10, 20 and 30W double reentrant horns provide sound penetration and dependability seldom found in popularly priced models. Each unit has a 70.7-volt transformer sealed inside its high-strength, lightweight, ABS housing that is protected against the elements by molded-in UV inhibitors. Its 17" five-conductor wire enters the housing through a gland nut designed to keep the moisture out. All PH series horns use lightweight high-density, phenolic-resin diaphragms and ceramic magnets. This family is resistant to salt-laden air and is noncorrosive. Mounting is via an epoxy-coated, stainless steel "U" bracket held in place by stainless steel hardware, allowing its position to be maintained despite unusually high wind velocity.

APPLICATION

The PH series paging projectors are at home for indoor or outdoor situations. Unique applications for the PH horns is the ability to be installed near seashores made possible by the corrosive-resistant materials used in its design. Their internal 70.7-volt transformers allow long wire runs without severe line loss and/or daisy-chained connection of multiple units to the same amplifier with 70.7-volt output. Typical applications are schools, gas stations, industrial property, ballparks, factories, recreational district, fair grounds, air shows or wherever high efficiency and clear communication is of prime importance.

PH 10T / PH 20T / PH 30T
CONSTANT VOLTAGE PAGING PROJECTOR

SPECIFICATIONS

■ POWER HANDLING

PH10T: 10 watts
PH20T: 20 watts
PH30T: 30 watts

■ FREQUENCY RESPONSE

PH10T: 500 - 6,000 Hz \pm 10 dB
PH20T: 330 - 7,000 Hz \pm 10 dB
PH30T: 650 - 5,000 Hz \pm 10 dB

■ SPL @ 1w 1m

PH10T: 102 dB
PH20T: 105 dB
PH30T: 107 dB

■ SPL @ FULL POWER, 1m

PH10T: 112 dB
PH20T: 118 dB
PH30T: 121 dB

■ DIAPHRAGM MATERIAL:

High-density Phenolic Resin

■ MAGNET WEIGHT (CERAMIC):

PH10T: 7.9 oz
PH20T: 10.0 oz
PH30T: 13.6 oz

■ APPROVALS:

CE; IP66

■ 70.7-VOLT TRANSFORMER TAPS

PH10T: 10, 5, 2.5, 1.25 watts
PH20T: 20, 10, 5, 2.5 watts
PH30T: 30, 15, 7.5, 3.75 watts

■ 70.7-VOLT TRANSFORMER IMPEDANCE

PH10T: 500, 1K, 2K, 4K
PH20T: 250, 500, 1K, 2K
PH30T: 167, 333, 660, 1.32K

■ TRANSFORMER MAX INSERTION LOSS:

PH10T: 0.3 dB
PH20T: 0.4 dB
PH30T: 1.0 dB

■ TRANSFORMER TAP CHANGE:

17" 5-conductor cable

■ SUPPLIED MOUNTING ACCESSORIES:

Stainless Steel "U" Bracket Epoxy Coated in Matching White

■ FINISH:

White

■ DIMENSIONS, INCH (MM):

PH10T: 5.47 x 7.87 (139 x 200)
PH20T: 7.99 x 10.0 (203 x 254)
PH30T: 9.37 x 11.3 (238 x 287)

■ NET WEIGHT LBS (KGS):

PH10T: 2.87 (1.30)
PH20T: 4.19 (1.90)
PH30T: 5.07 (2.30)



PH 10T / PH 20T / PH 30T

CONSTANT VOLTAGE PAGING PROJECTOR

ARCHITECTS' AND ENGINEERS' SPECIFICATIONS

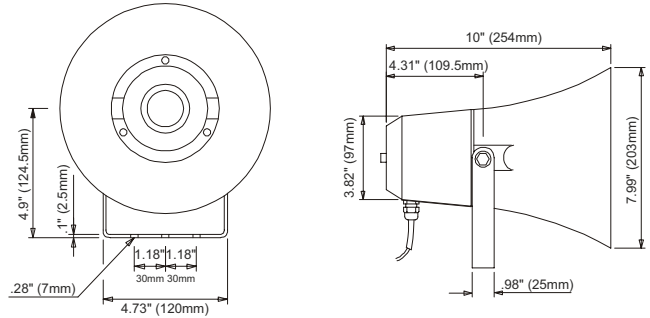
Unit shall be FBT model PH 10T, PH 20T, PH 30T. Horn speaker shall consist of a weather-resistant ABS housing, high density phenolic resin diaphragm, internal 70.7-volt transformer, epoxy coated stainless steel mounting bracket, stainless steel hardware and 17" five conductor wire.

PH 10T shall have a frequency response of 500-6,000Hz and be rated at 10 watts with transformer taps at 10, 5, 2.5 and 1.25 watts. Sensitivity shall be 102dB @ 1 watt, 1 meter.

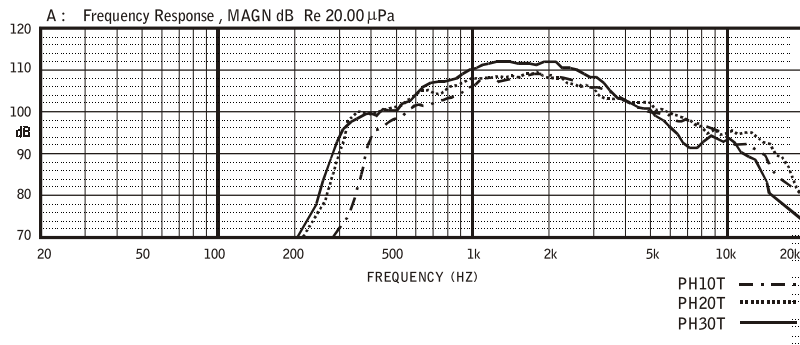
PH 20T shall have a frequency response of 330-7,000Hz and be rated at 20 watts with transformer taps at 20, 10, 5 and 2.5 watts. Sensitivity shall be 105dB @ 1 watt, 1 meter.

PH 30T shall have a frequency response of 650-5,000Hz and be rated at 30 watts with transformer taps at 30, 15, 7.5 and 3.75 watts. Sensitivity shall be 107dB @ 1 watt, 1 meter.

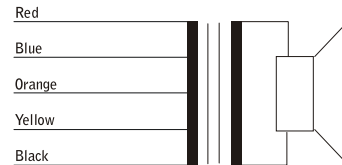
DIMENSIONAL DRAWING



FREQUENCY RESPONSE



CIRCUIT DIAGRAM



COLOR	PH30T	PH20T	PH10T
Red	30W	20W	10W
Blue	20W	10W	5W
Orange	10W	5W	2.5W
Yellow	5W	2.5W	1.25W
Black	COM	COM	COM

POLAR PATTERNS

