



ALL WEATHER LOUDSPEAKERS

MAIN APPLICATIONS

Permanent installations in:

- Theme and Amusement parks
- Outdoor Entertainment centers
- Multipurpose indoor/outdoor venues
- Background music
- Athletic fields
- Swimming pools
- Convention centers
- Cruise ships
- Stadium, Arenas



MAIN FEATURES

- 2-way multipurpose 8" coax
- Sturdy molded polyethylene curved enclosure
- 8" coaxial woofer with 2" coil
- 1" HF driver with 1.4" coil
- Line transformer
- 4 wires cable to select the power tapping
- IP55 weather resistant
- Standard grey finish
- Completely manufactured in Italy

DESCRIPTION

The FBT SHADOW 108CT is a weatherproof coaxial two way loudspeaker system designed to provide high quality voice and music reproduction in applications requiring extreme weather resistance. It is designed to withstand long-term exposure to tough, environmental conditions. The low frequency transducer is a 8" woofer with a 2" voice coil. The high frequency section is a 1" driver with 1.4" voice coil on conical 90° horn. The FBT SHADOW 108CT features a line transformer for 70-100V applications. The cabinet is a single piece rotational moulded in polyethylene, fully UV protected. The cabinet is equipped with a stainless steel U-bracket and one security anchoring point located at the rear of the loudspeaker. The grille is in custom perforated stainless steel with 3 layers of protection. The FBT SHADOW 108CT meets the requirements of IP55 code (International Protection Rating).

TECHNICAL SPECIFICATIONS

GENERAL

Configuration	way	2
Low frequency woofer	inch	8 / 2 coil
High frequency driver	inch	1 / 1.4 coil
Transformer		100V / 100W-50W

ACOUSTICAL SPEC.

Frequency response	@-6dB	80Hz - 20kHz
Max SPL (cont / peak)	dB	120 / 124
Dispersion		90° conical
Crossover frequency	kHz	1.8
Recommended HP filter		60Hz - 24dB oct.
Sensitivity (@1W, 1m)	dB	95

AMPLIFIER

Recommended amplifier	W rms	450
System long term power	W	225
System short term power (IEC 268-5)	W	900
Nominal impedance	Ohm	8

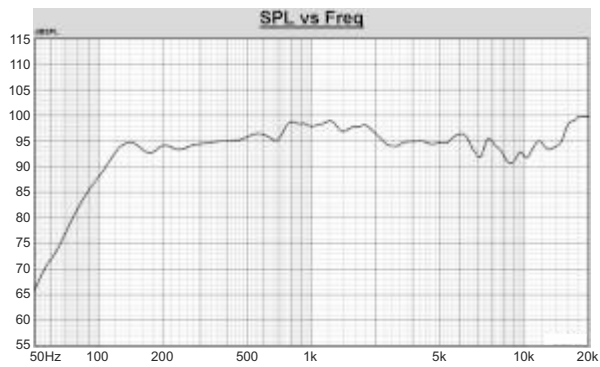
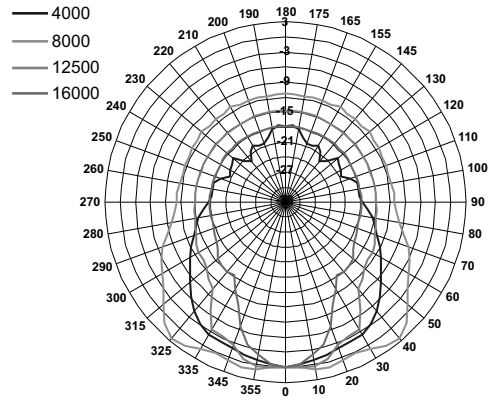
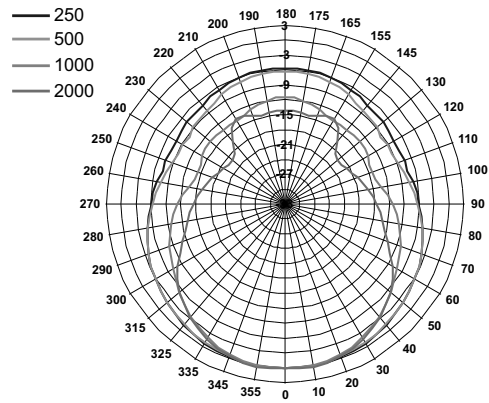
INPUTS / OUTPUTS

Input connectors		4 wire cable
------------------	--	--------------

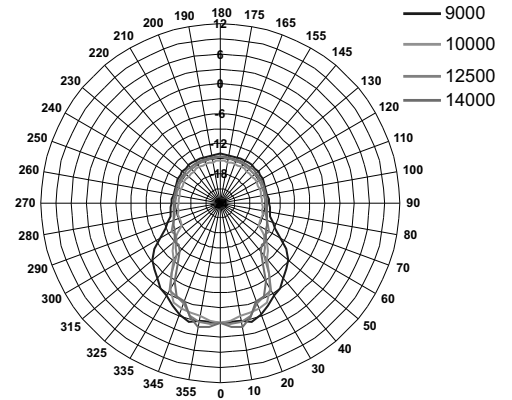
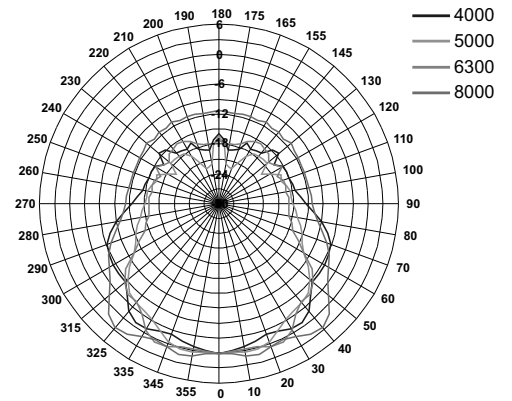
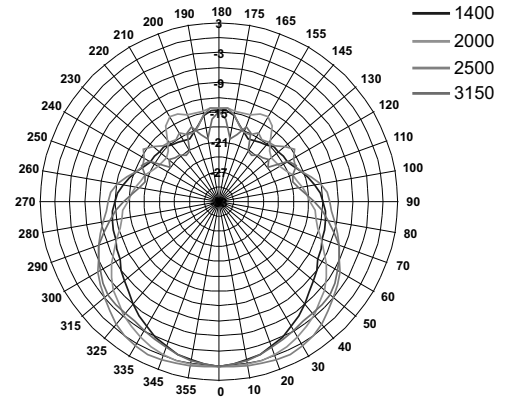
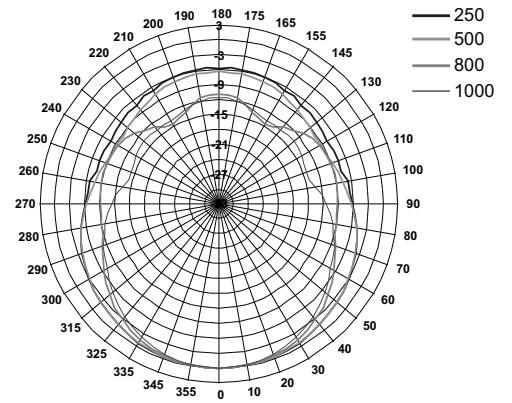
PHYSICAL

Enclosure material		Polyethylene rotomoulded
Grille		Custom perforated stainless steel
Net dimensions (W x H x D)	inch	11.22 x 11.22 x 9.84
Shipping dimensions (W x H x D)	inch	15.35 x 15.74 x 13.38
Net weight	lbs	15.4
Shipping weight	lbs	19.8

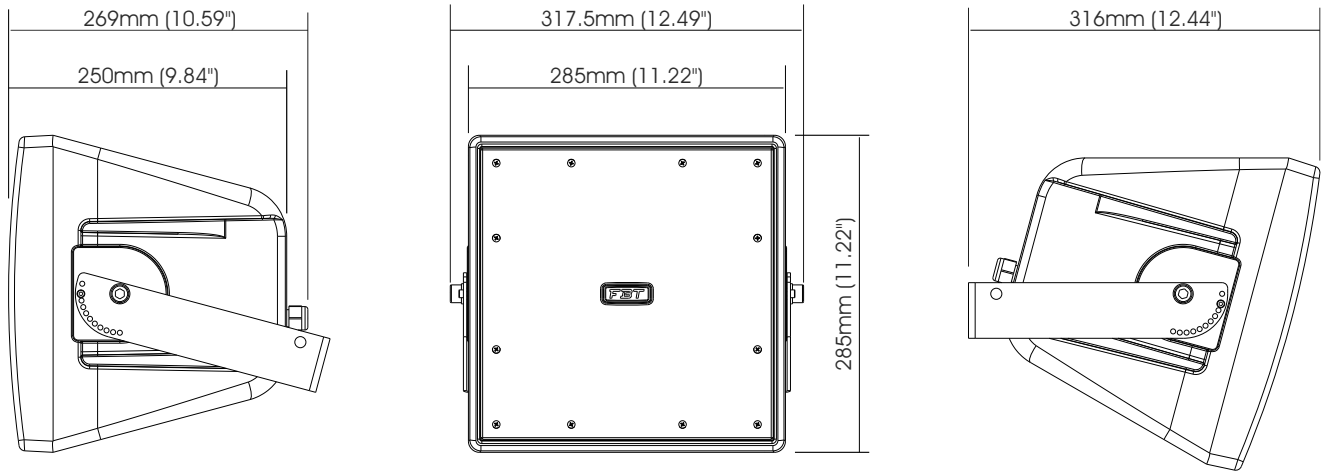
HORIZONTAL POLAR DIAGRAM



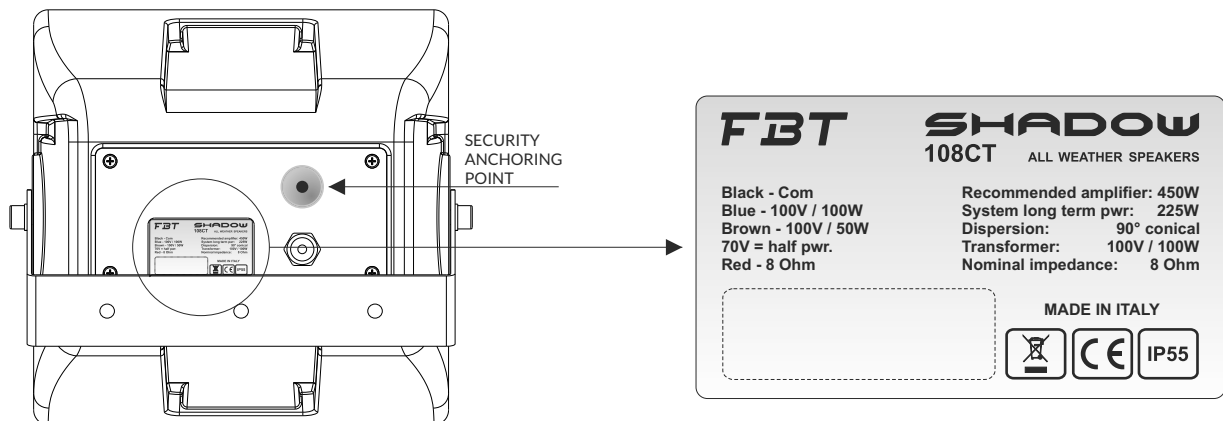
VERTICAL POLAR DIAGRAM



DIMENSIONAL DRAWING



TECHNICAL SPECIFICATIONS LABEL



SUPPLIED ACCESSORY

