

IP55

## ALL WEATHER LOUDSPEAKERS

### MAIN APPLICATIONS

Permanent installations in:

- Theme and Amusement parks
- Outdoor Entertainment centers
- Multipurpose indoor/outdoor venues
- Background music
- Athletic fields
- Swimming pools
- Convention centers
- Cruise ships
- Stadium, Arenas



### MAIN FEATURES

- Subwoofer
- Sturdy molded polyethylene curved enclosure
- 14" woofer with 3" coil
- 1" HF driver with 1.7" coil
- Line transformer (optional)
- 4 wires cable to select the power tapping
- IP55 weather resistant
- Standard grey finish
- Completely manufactured in Italy

### DESCRIPTION

The FBT SHADOW 114S is a weatherproof subwoofer loudspeaker system designed to provide substantial power and efficiency for a variety of professional indoor and outdoor applications. It is designed to withstand long-term exposure to tough, environmental conditions.

The low frequency transducer is a 14" woofer with a 3" voice coil. An optional transformer is also available providing impedance matching to 100V lines with 300W power.

The cabinet is a single piece rotational moulded in polyethylene, fully UV protected. The cabinet is equipped with a stainless steel U-bracket and one security anchoring point located at the rear of the loudspeaker. The grille is in custom perforated stainless steel with 3 layers of protection. The FBT SHADOW 114S meets the requirements of IP55 code (International Protection Rating).

### TECHNICAL SPECIFICATIONS

#### GENERAL

Configuration		Subwoofer
Low frequency woofer	inch	14 / 3 coil
Transformer (optional)		100V / 300W

#### ACOUSTICAL SPEC.

Frequency response	@-6dB	60Hz - 400Hz
Max SPL (cont / peak)	dB	125.5 / 129.5
Dispersion		omnidirectional
Crossover frequency		external
Recommended HP filter		40Hz - 24dB oct.
Sensitivity (@1W, 1m)	dB	97

#### AMPLIFIER

Recommended amplifier	W rms	700
System long term power	W	350
System short term power (IEC 268-5)	W	1400
Nominal impedance	Ohm	8

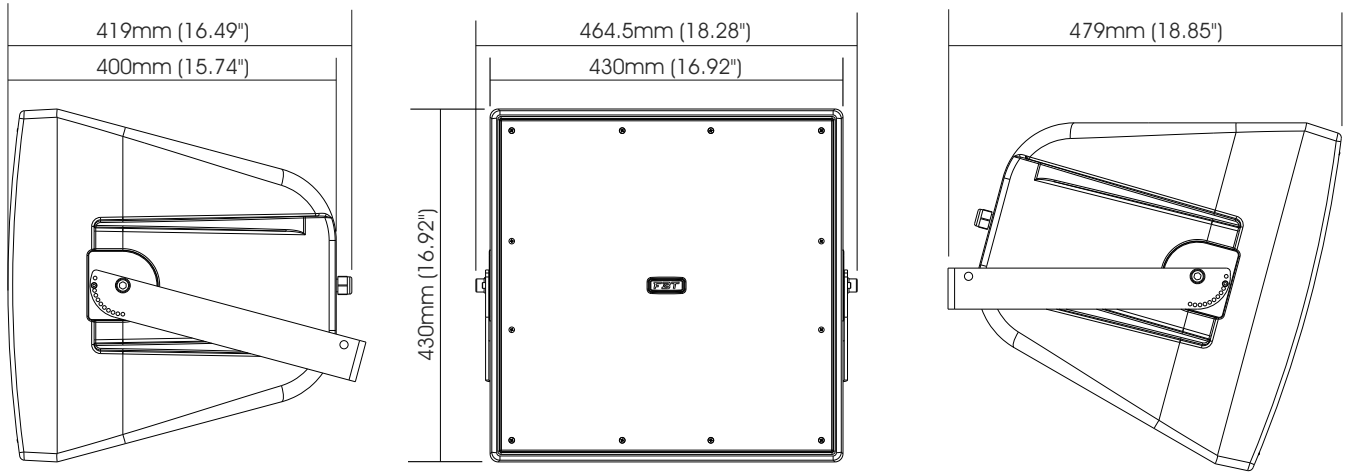
#### INPUTS / OUTPUTS

Input connectors		4 wire cable
------------------	--	--------------

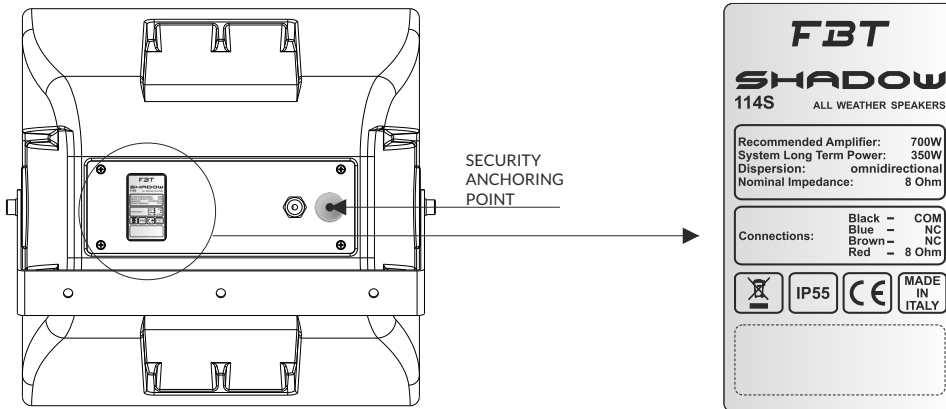
#### PHYSICAL

Enclosure material		Polyethylene rotomoulded
Grille		Custom perforated stainless steel
Net dimensions (WxHxD)	inch	16.92 x 16.92 x 15.74
Net weight	lbs	33.47

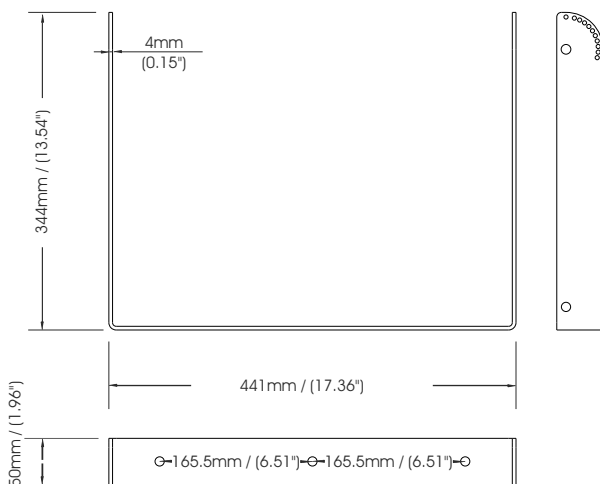
## DIMENSIONAL DRAWING



## TECHNICAL SPECIFICATIONS LABEL



## SUPPLIED ACCESSORY



## FREQUENCY RESPONSE

