

EN 54 - 24

SOP 426 T/EN SOUND PROJECTOR

DESCRIPTION

Two-way sound projector for voice alarm systems

These sound projectors, featuring self-extinguishing ABS UL94-V0 housings, has fireproof cables according to UNI 9795 2010; the fixing system makes mounting simple and enables the speaker unit to be turned easily in the best direction. This model is equipped with two loudspeakers pointing in opposite direction and is therefore particularly suitable for broadcasting sound in long and narrow areas such as corridors. These speaker units have been developed specifically for use in emergency and evacuation systems and each has its own ceramic terminal strip and thermal fuse. These ensure the protection of the line connecting the loudspeakers if a fire puts one or more of the speaker units connected to it out of use.



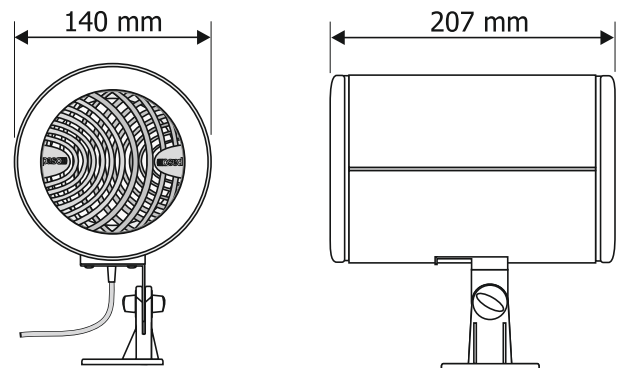
TECHNICAL DATA

Rated power	12W (6+6) (100V)
Number of loudspeakers	2
Nominal impedance (100V line)	830 Ohm (12W) 1670 Ohm (6W) 3330 Ohm (3W)
Sensitivity	88dB (1W,1m)
Max. sound pressure level SPL *	99dB (12W,1m)
Frequency response	170 ÷ 14.000Hz (peak -10dB)
Horizontal angle of dispersion (-6dB) **	180° (500Hz)
	80° (1kHz)
	120° (2kHz)
	60° (4kHz)
Vertical angle of dispersion (-6dB) **	180° (500Hz)
	80° (1kHz)
	120° (2kHz)
	60° (4kHz)
Operating / Storage temperature	-25°C ÷ +55°C / -40°C ÷ 70°C
Relative humidity	<95%
Dimensions	Ø140 x 207mm
Weight	2kg

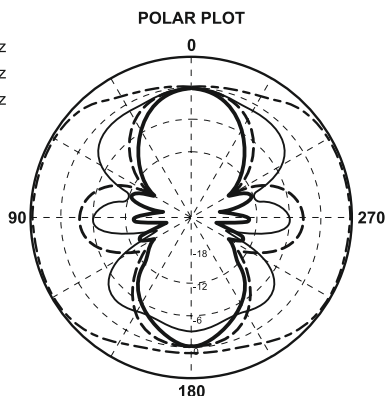
* Measurement made at the geometric center of the loudspeaker

** Measurement referred to a single emission front

DIMENSIONS



--- 500 Hz
— 1000 Hz
- - - 2000 Hz
— 4000 Hz



Simulated free-field measurements.

