



APPLICATIONS

- Live sound
- Corporate events
- Theatres
- A/V presentations

MAIN FEATURES

MLA 608A:

- 6-way active mid-low line array column
- Digital directivity aiming
- 6 x 8" custom neodymium woofers
- 60Hz - 2kHz frequency response
- 6 Class D 250W RMS amplifiers
- Extruded aluminum cabinet

MLA 801A:

- 8-way active HF line array column
- Digital / Mechanical directivity aiming
- 8 x 0,75" B&C neodymium drivers
- 1.8kHz - 20kHz frequency response
- 8 Class D 50W RMS amplifiers
- Extruded aluminum cabinet

PRODUCT DESCRIPTION

The MLA system is an active steerable column array that provides exceptional intelligibility in highly reverberant environments. The characteristics of the lobe radiation directional controls, the high SPL, the HI-FI frequency range, the elegance and overall dimensions, make the MLA system particularly suitable for high quality sound even in acoustically difficult environments, given the capacity of the wavefront to soften of about 3dB upon doubling the distance from the source. MLA is composed by two modules, one for the mid-low and one for the high frequencies. The principle behind the operation of MLA is based on the combined mechanical/digital control of directivity. The modularity of the system allows for the construction of a column composed of a maximum of 2 x MLA 801A modules and 3 x MLA 608A modules for a total of 4000W and a minimum frequency control of 100Hz. The MLA system features a RS-485 network connection for total control through PC. Superior latching systems as well as inferior for the MLA series, allowing for great component modularity.

MLA

Mixed Control Active Line Array



ELECTRICAL PERFORMANCE

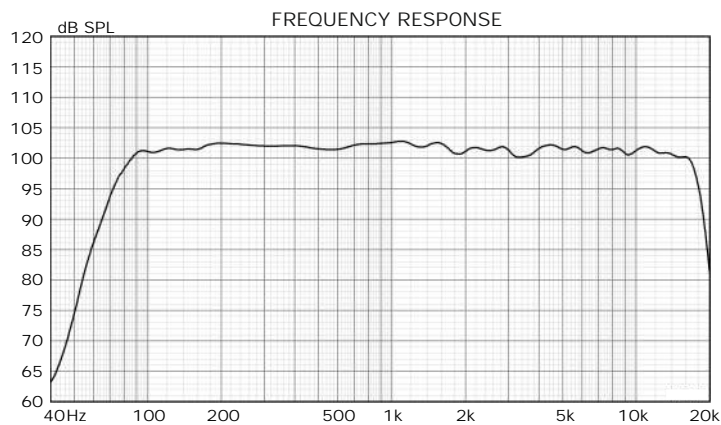
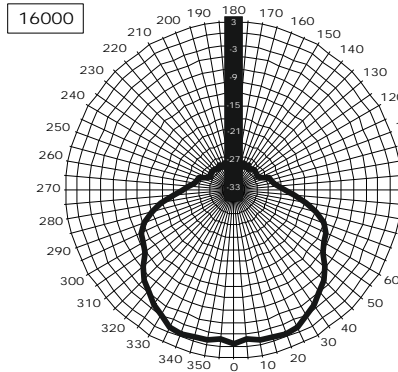
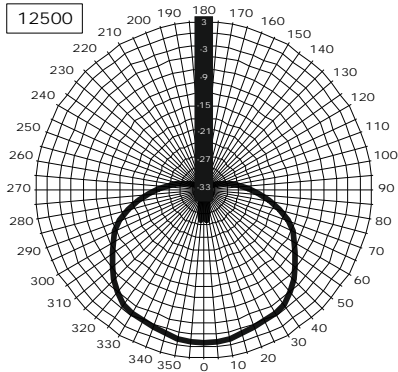
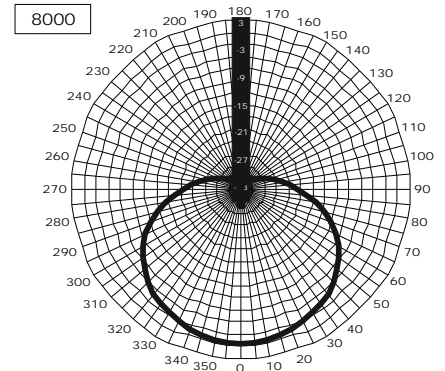
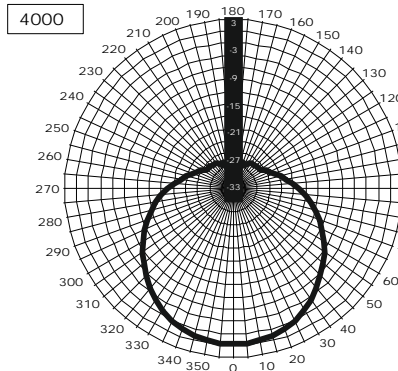
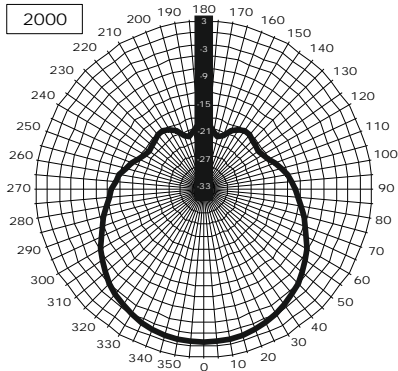
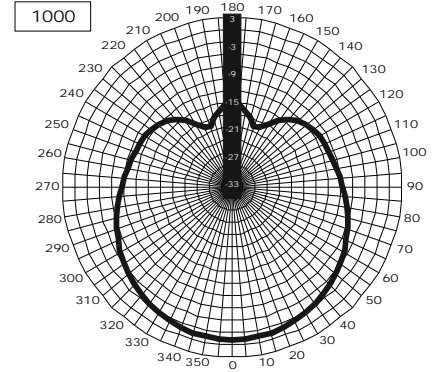
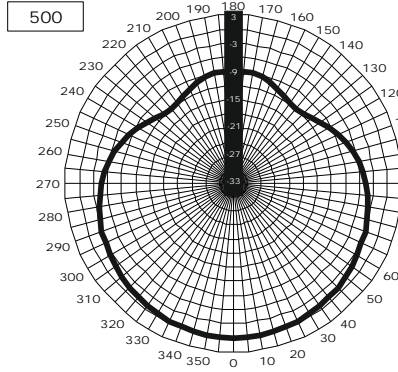
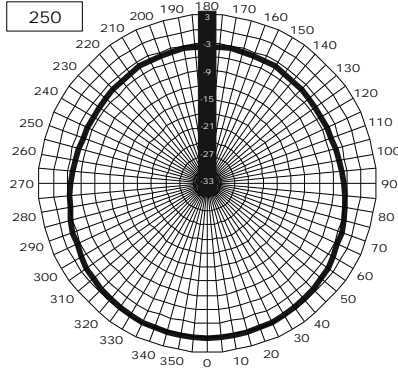
	MLA 801A	MLA 608A
System Type	8 way	6 way
Built-in Amplifiers	cont.: 8 x 40W max.: 8 x 50W peak.: 8 x 100W	cont.: 6 x 230W max.: 6 x 250W peak.: 6 x 500W
Frequency Response @ -6dB	1.8kHz - 20kHz	60Hz - 2kHz
Input Impedance	22kOhm	22kOhm
Maximum SPL (cont. / peak)	135dB / 139dB	133dB / 137dB
Dispersion	90° digital/mechanical controlled	90° digital controlled
Crossover Frequency	1.8 kHz	1.8 kHz
AC Power requirement	300 VA	1350 VA

PHYSICAL

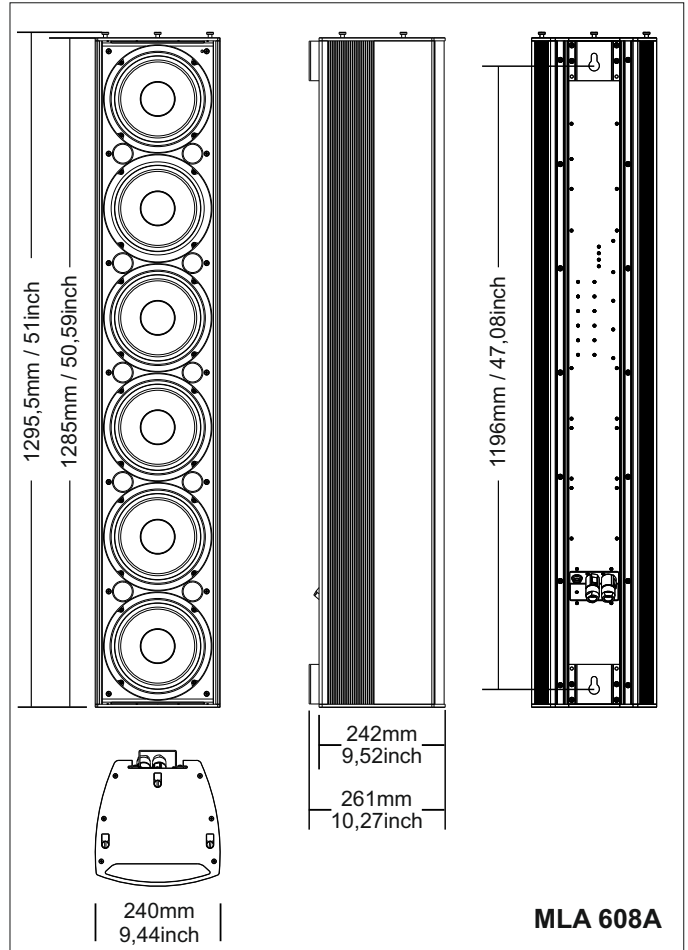
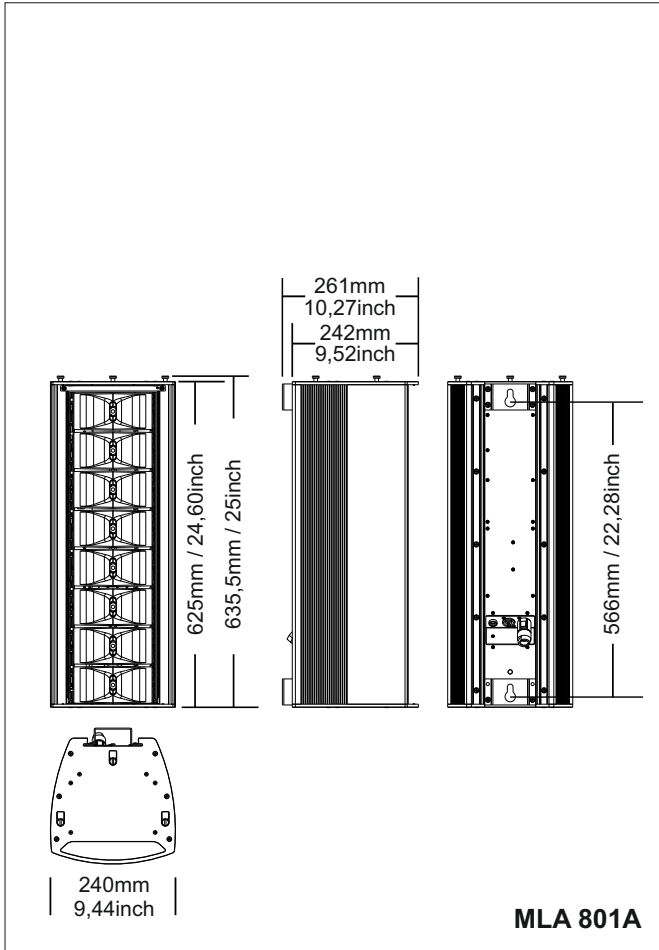
	MLA 801A	MLA 608A
Low Frequency Woofer	-----	6 x 8" / 2" coil
High Frequency Driver	8 x 0,75" - 1" coil	-----
Input Connectors	XLR with loop	XLR with loop
Net Dimensions (WxHxD)	9,5" x 24,6" x 9,52" 240 x 625 x 242mm	9,5" x 50,6" x 9,52" 240 x 1285 x 242mm
Shipping Dimensions (WxHxD)	12,6" x 28,54" x 12,67" 320 x 725 x 322mm	12,6" x 54,5" x 12,67" 320 x 1385 x 322mm
Net Weight	39,7 lbs / 18 kg	59,5 lbs / 27 kg
Shipping Weight	45,2 lbs / 20,5 kg	68,4 lbs / 31 kg
Enclosure Material	extruded aluminium	extruded aluminium
Power cord	16.4 ft / 5 mt.	16.4 ft / 5 mt.

DIAGRAMS

HORIZONTAL POLAR DIAGRAM



DIMENSIONAL DRAWING



CONNECTION PANEL

