

# Pixelink®

A NANITAR COMPANY

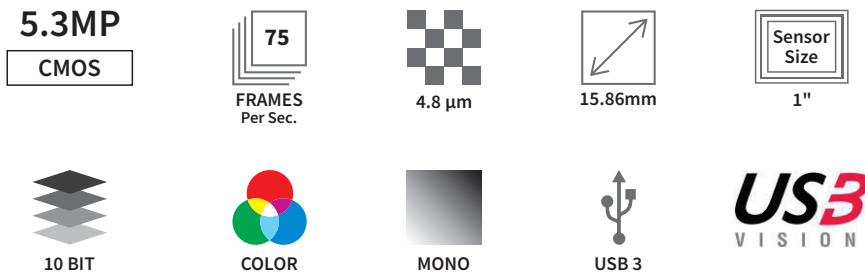
## PL-D725

CMOS | ON SEMI VITA 5000 | GLOBAL SHUTTER

The PL-D family of cameras links together the benefits of high frame rate CMOS technology with the high speed data throughput of USB 3.0 technology. The PL-D725 camera provides low noise images for outstanding value for a broad range of industrial applications.



### KEY FEATURES



### TYPICAL APPLICATIONS

Parts inspection  
Strength Testing  
Metrology

Biometrics  
Medical Imaging  
PCB & Flat Panel Display Inspection

## TECHNICAL SPECIFICATIONS

### SENSOR

Sensor	ON Semi Vita 5000
Type	CMOS Global Shutter
Resolution	5.3 MP (2592 x 2048)
Pixel Pitch	4.8 μm x 4.8 μm
Active Area	15.86 mm diagonal
Quantum Efficiency	53% @ 550nm

### PERFORMANCE SPECIFICATIONS

FPN	< 1% of signal
PRNU	< 2% of signal
Dynamic Range	53 dB
Bit Depth	8 or 10 - bit
Color Data Formats	Bayer 8, Bayer 12 Packed, Bayer 16 & YUV422
Mono Data Formats	Mono 8, Mono 12 Packed & Mono 16

### FRAME RATES

Resolution	Free Running
2592 x 2048	75.3 fps
1280 x 1024	258.6 fps
640 x 480	815.9 fps

Frame rates will vary based on host system and configuration

### INTERFACES

Interface   Data rate	USB 3.0   Micro-B   5Gbps
Board Level Trigger Connector	8-pin Molex 1.25mm pitch
Enclosed Trigger Connector	Hirose round 8-pin
Trigger	Software and hardware
Board Level Trigger Input	1 input, 3.3V (with internal pullup resistor)
Enclosed Trigger Input	1 optically Isolated, 5-12V DC at 4-11 mA
Board Level GPO/Strobe	2 outputs, 3.3V
Enclosed GPO/Strobe	2 outputs, 3.3V and 1 optically isolated max 40V DC, max 15mA
GPI	1 input, 3.3V (with internal pullup resistor)

### MECHANICALS

Dimensions (mm)	55 x 38.5 x 31.1
Weight (g)	35.8 (Board level without optics)
Mounting	C-Mount

### POWER REQUIREMENTS

Voltage Required	5V DC (from USB connector)
------------------	----------------------------

### PIN NAME & FUNCTION

1	3.3V power output
2	TRIGGER/GPI 3.3V HCMOS input
3	Ground
4	GPO1, 3.3V HCMOS output
5	GPO2, 3.3V HCMOS output
6	Clock, 3.3V (I2C access for OEMs)
7	Data, 3.3V (I2C access for OEMs)
8	No connection

Board connector: Molex (8-pin, 1.25mm pitch, vertical); Cable receptacle: Molex 51021-0800; Cable crimp terminals: Molex 50079-8100

### ENCLOSED GPIO INTERFACE PIN OUTPUT DESCRIPTION

1	VBUS (Power output from USB3 cable)
2	TRIGGER + (optically isolated)
3	TRIGGER - (optically isolated)
4	GPO1 + (optically isolated)
5	GPO1 - (optically isolated)
6	GPO1, 3.3V HCMOS output (I2C - SCL for autofocus)
7	GPO2, 3.3V HCMOS output (I2C - SDA for autofocus)
8	Ground (logic and chassis ground)

### ENVIRONMENTAL & REGULATORY

Compliance	FCC, CE & RoHS
Shock & Vibration	300 G & 20 G (10Hz - 2KHz)
Operating Temperature	0°C to 50°C
Storage Temperature	-45°C to 85°C

### SOFTWARE

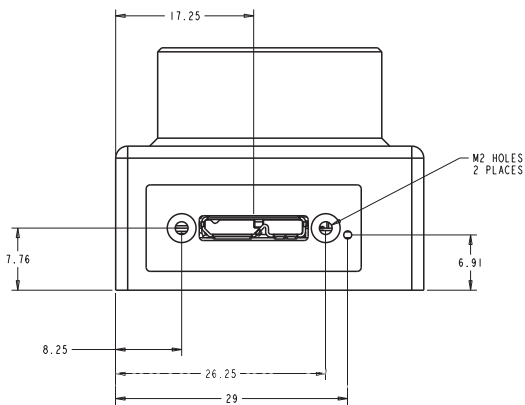
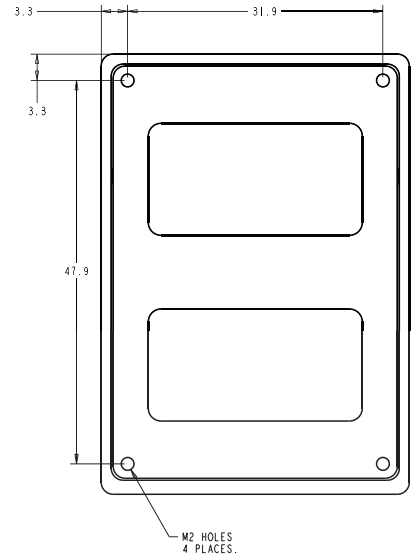
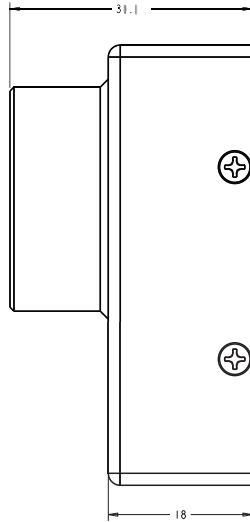
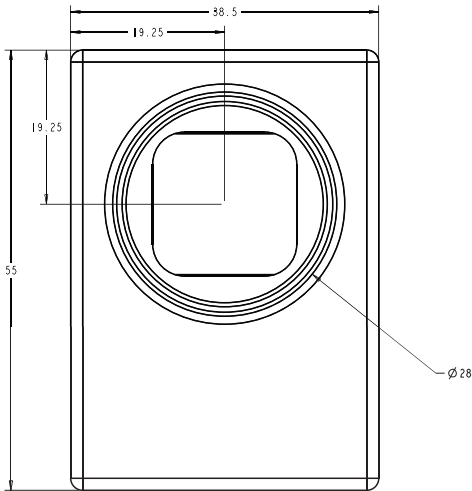
Pixelink Capture	Control & operate multi-camera
Pixelink SDK	Software Development Kit
Pixelink μScope	Acquisition, analysis & reporting
3rd. Party U3V Vision Applications	

### COMPUTER & OPERATING SYSTEM

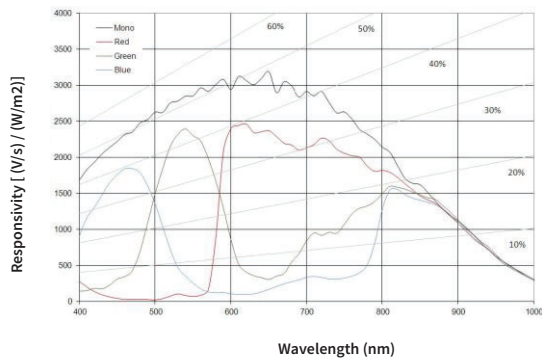
	Windows	Linux x86	Linux ArmV7	Linux ArmV8
Processor	Intel i5 or better	Intel i5 or better	Arm7 (32 bit)	Arm8 (64 bit)
Memory	4GB recommended	4GB recommended	2GB	2GB
Hard Drive Space	150 MB	150 MB	50 MB	50 MB
Operating System	Windows 7/8/10	Ubuntu 14.04/16.04 Desktop	Ubuntu 14.04/16.04	Ubuntu 14.04/16.04

# MECHANICAL DRAWINGS & RESPONSIVITY CURVES

## MECHANICAL DRAWINGS



## RESPONSIVITY CURVE - COLOR & MONO



## PIXELINK'S INDUSTRY LEADING SOFTWARE

### PIXELINK CAPTURE

**Pixelink Capture** is powerful multi-camera software application designed to configure "n" numbers of cameras and stream "n" number of cameras simultaneously in real-time high-quality video viewed in a multi-window environment. Pixelink Capture offers options for complex image enhancements such as; exposure control, filtering, frame-by-frame property changes in addition to multi-camera application testing and configuration.

Pixelink Capture also provides features to measure supporting; point, line, circle, rectangle, polyline and polygon measurements while determining pixel location. After creating spatial calibration, the user can then review and adjust before exporting the findings to an Excel spreadsheet for further analysis. Pixelink Capture also has integrated lens control (zoom & focus) for Navitar motorized lenses and accurate autofocus options for Navitar motorized fine focus mechanisms.

Visit [pixelink.com](http://pixelink.com) for more detailed information.

### PIXELINK SDK

Providing full control of all camera functions, the **Pixelink Software Developers Kit (SDK)** is the software package of choice for developers and system integrators who are integrating Pixelink cameras into their applications. The Pixelink SDK provides access to the full Pixelink Application Programming Interface (API) and provides sample applications, wrappers for many 3rd party controls, such as LabVIEW, along with full documentation.

The Pixelink SDK is compatible with Microsoft Windows and popular Linux platforms. When using the Pixelink SDK, developers can integrate Pixelink cameras into their custom applications with ease.

Visit [pixelink.com](http://pixelink.com) for more detailed information.

## AVAILABLE CONFIGURATIONS

PL-D725CU  
PL-D725CU-BL  
PL-D725CU-T

PL-D725MU  
PL-D725MU-BL  
PL-D725MU-T

**Color Space**  
C = Color  
M = Mono  
NIR = Near Infrared

**Interface**  
F = Firewire  
G = GigE  
U = USB

**Housing**  
CS = CS Mount  
S-BL = S Mount Board Level  
BL = Board Level  
T = Trigger

**Autofocus**  
AF = Autofocus Lens (in mm)  
AFE = Edmund Optics Autofocus Lens (in mm)