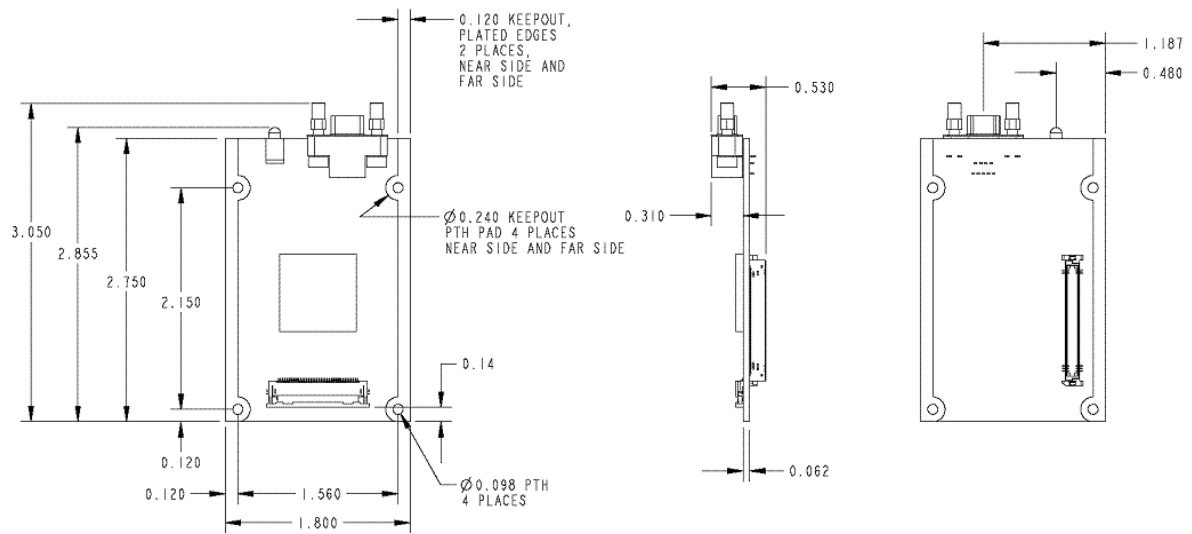
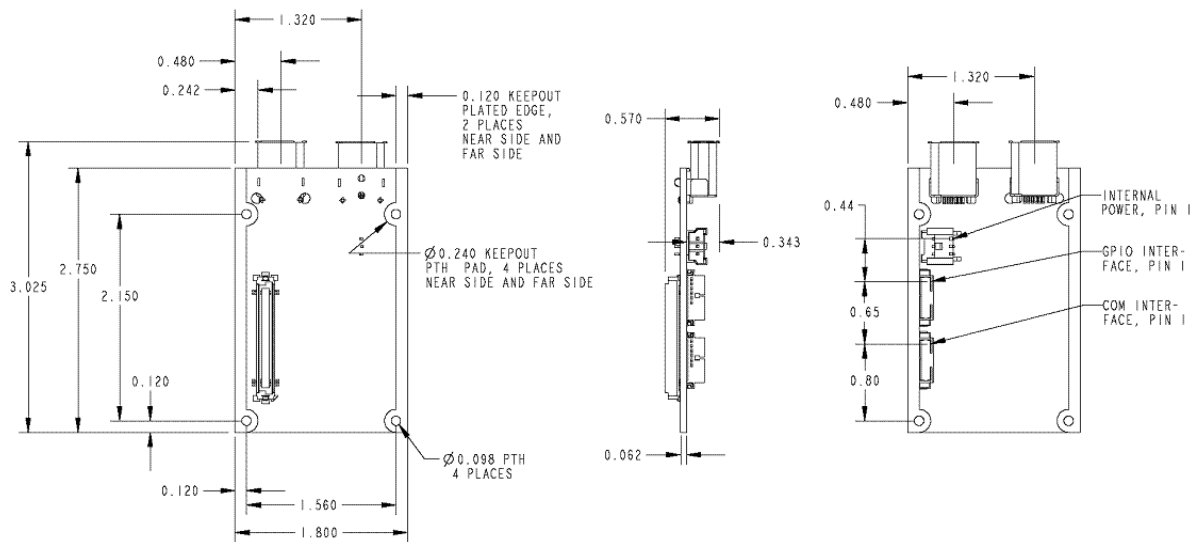


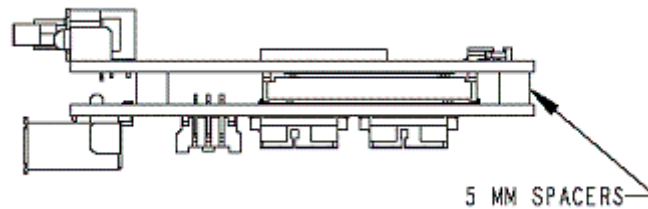
The PL-BX00F-BL main electronics (two board stack) should be mounted on four standoffs of minimum height 0.375" with location dimensions as shown.



PL-BX00 Image Processing Board



PL-BX00 1394 Interface Board



PL-BX00F-BL main electronics (two board stack)