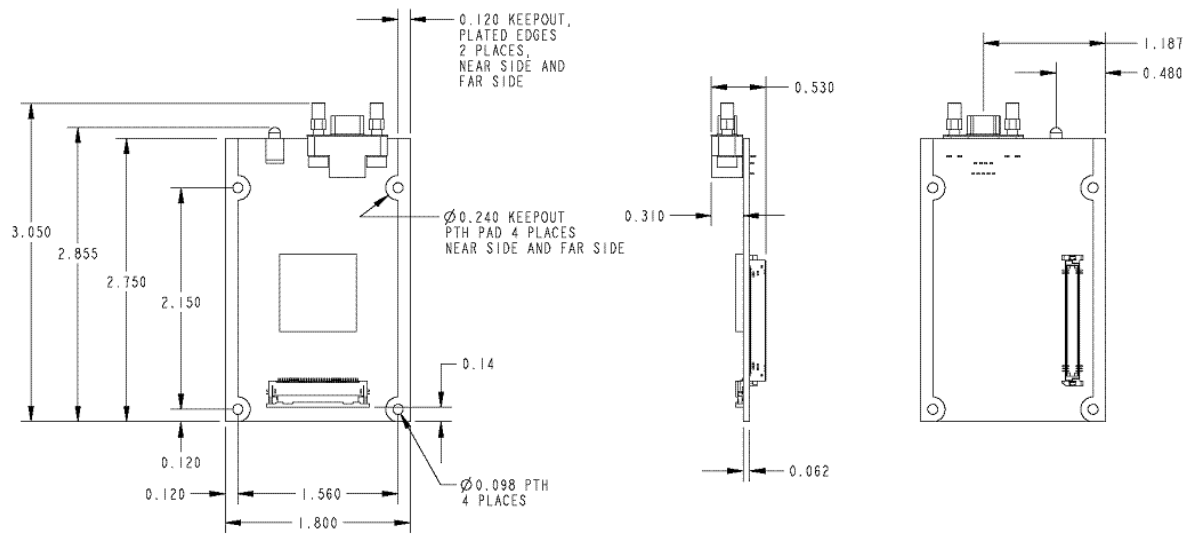
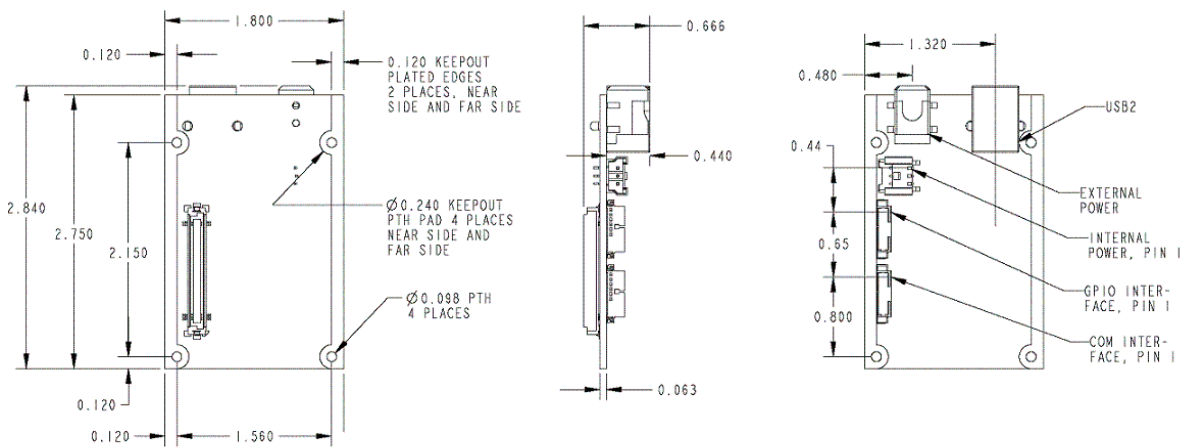


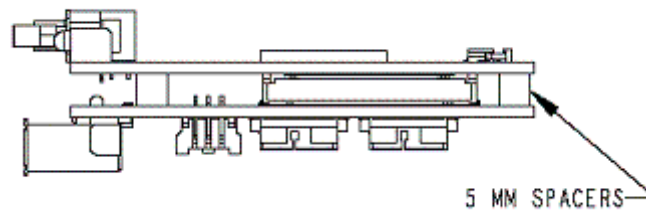
The PL-BX00U-BL main electronics (two board stack) should be mounted on four standoffs of minimum height 0.375" with location dimensions as shown.



**PL-BX00 Image Processing Board**



**PL-BX00 USB2.0 Interface Board**



**PL-BX00U-BL main electronics (two board stack)**